

5

4

3

2

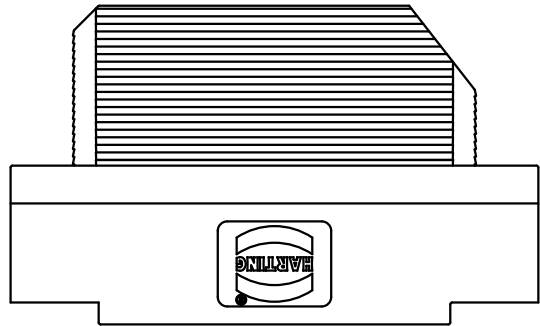
1

D

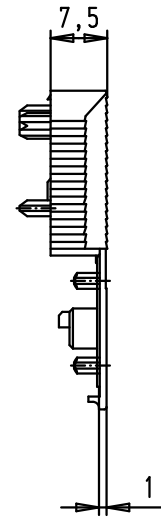
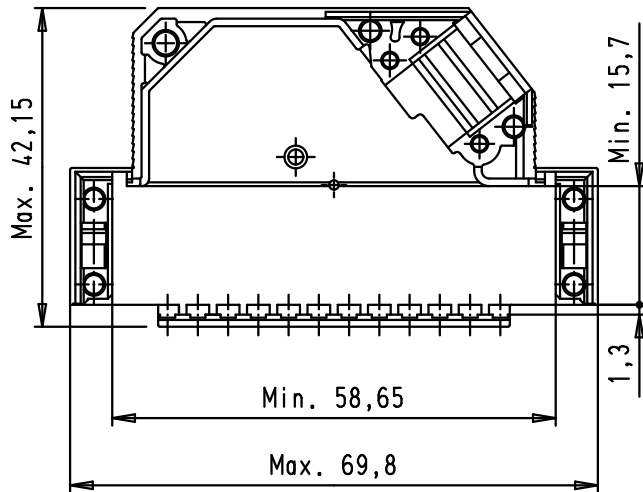
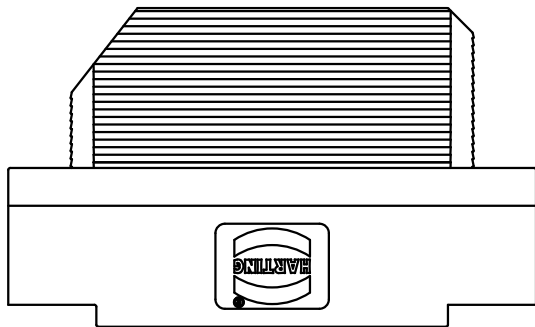
C

B

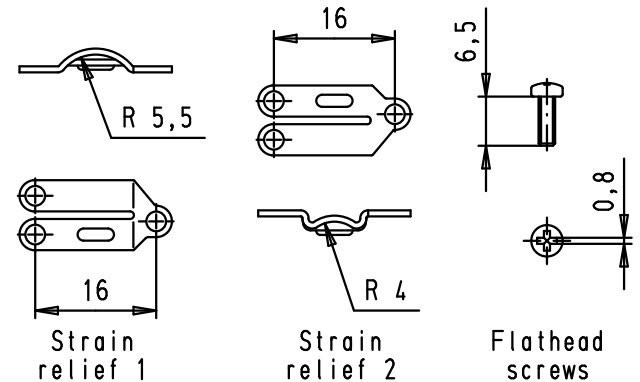
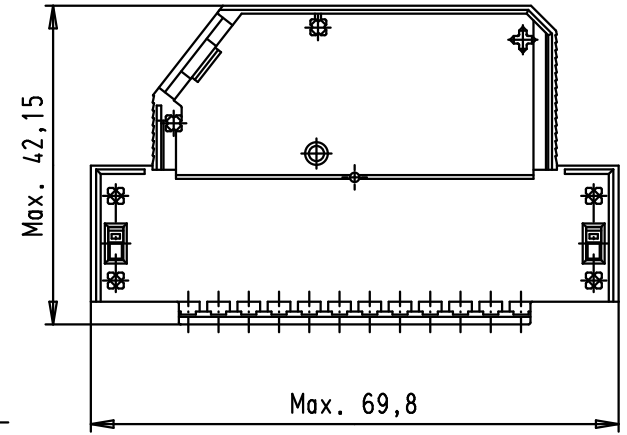
A

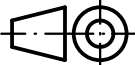



Hood lower part



Hood upper part



				Dot.	Name	 All Dim. in mm Orig. Size DIN A 4	D-Sub hoods 37 poles not shielded	Maßstab/ Scale 1:1
			Detail.	27/02/03	SH			
			Insp.					
EC01696	20/04/10	SC	Stand.				TB 09 67 037 0571	Blatt/ Page 1 / 1
34793	09/01/08	PK	HARTING EURL					
31392	27/02/03	SH	F-95972 Paris					
Mod.	Dot.	Name						