

Connector - with screwless terminals, for harsh applications



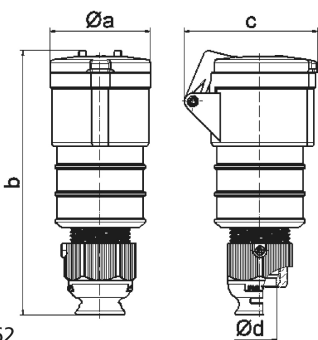
Product description	
BALS-Prd.-Nr	31957
EAN	4024941319577
product category (PG)	Connector QUICK-CONNECT TE
current (A)	16A
number of poles (P99)	3p
number of poles (P)	2P+PE
position of earth contact (H)	2 h
voltage (V)	> 50V

Product description	
frequency (HZ)	over 300 up to 500Hz
protection degree (SA)	IP44
colour code 1 (KF1)	green RAL 6002
Colour of appliance	Hinged lid green RAL 6002, Enclosure green RAL 6002, Cable gland grey RAL 7035
connection design (AT)	screwless spring terminals as cage clamp with Kontex-contact
maximum conductor size (LQ)	2,5 qmm
cable entry (KE)	Cable gland
Height	162mm
Width	51mm
Depth	72mm
material of enclosure (GM)	Polyamide
contact	The contact carrier is made of high temperature resistant material, the contacts are brass nickel plated

Additional technical properties	
	For cable diameter from 8 up to max. 18 mm, Multi-Grip cable gland with gasket, integrated cable clamp and additional water evacuation openings

Logistics data	
Weight/pcs	0.155 kg / Piece
Packaging	Bag
Content amount	1 ST

Logistics data	
EAN	4024941319577
Length	72 mm
Width	51 mm
Height	162 mm
Weight	0.156 kg
Volume	594.864 ccm
Packaging	Carton
Content amount	10 ST
EAN	4024941834780
Length	248 mm
Width	158 mm
Height	123 mm
Weight	1.647 kg
Volume	3,960 ccm



Ampere	16	16	16	32	32	32
Polzahl	3	4	5	3	4	5
a ø	51,0	58,0	65,0	66,5	66,5	72,0
b	156,0	162,0	168,0	195,0	195,0	198,0
c	72,0	78,0	86,0	89,0	89,0	99,0
d ø	18,0	18,0	21,0	23,0	23,0	27,0
Leiter mm ² min	1	1	1	2,5	2,5	2,5
Leiter mm ² max	2,5	2,5	2,5	6	6	6

3 MB 62