

Panel mounting socket outlet, angled - flange 75x75, fixing centers 60x60

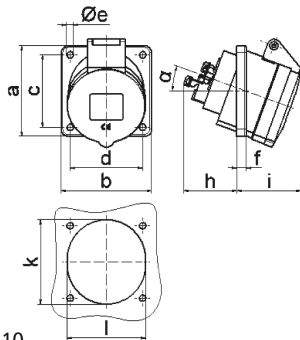


| Product description | |
|---------------------------|--|
| BALS-Prd.-Nr | 12745 |
| EAN | 4024941127455 |
| Product category | Panel mounting socket outlet Quick-Connect, angled |
| Current | 16A |
| Number of poles | 5p |
| Poles | 3p+N+PE |
| Position of earth contact | 7 h |
| Voltage | 277/480 up to 288/500V |

| Product description | |
|--------------------------------|--|
| Frequency | 50 and 60Hz |
| Protection degree | IP44 |
| Colour code | black RAL 9005 |
| Colour of appliance | Hinged lid black RAL 9005, Enclosure grey RAL 7035 |
| Connection design | screwless spring terminals as cage clamp with Kontex-contact |
| Maximum conductor size | 4,0 qmm |
| Cable entry | other |
| Height | 90mm |
| Width | 75mm |
| Depth | 96mm |
| Flange size vertical | 75mm |
| Flange size horizontal | 75mm |
| Drill hole distance vertical | 60mm |
| Drill hole distance horizontal | 60mm |
| Material of enclosure | Polyamide |
| Contact | The contact carrier is made of polyamide, The contacts are brass |

| Additional technical properties | |
|---------------------------------|------------------------|
| | The inclination is 20° |

| Logistics data | |
|----------------|-----------------|
| Weight/pcs | 0.14 kg / Piece |
| Packaging | Carton |
| Content amount | 10 ST |
| EAN | 4024941829328 |
| Length | 245 mm |
| Width | 177 mm |
| Height | 185 mm |
| Weight | 1.533 kg |
| Volume | 7,140 ccm |



| | | | | | | | |
|----------------|------|--|--|--|--|--|--|
| Ampere | 16 | | | | | | |
| Polzahl | 5 | | | | | | |
| a | 75,0 | | | | | | |
| b | 75,0 | | | | | | |
| c | 60,0 | | | | | | |
| d | 60,0 | | | | | | |
| e ø | 5,5 | | | | | | |
| f | 8,0 | | | | | | |
| h | 46,0 | | | | | | |
| i | 54,0 | | | | | | |
| k | 70,0 | | | | | | |
| l | 65,0 | | | | | | |
| α | 20° | | | | | | |
| Leiter mm² min | 1,5 | | | | | | |
| Leiter mm² max | 4 | | | | | | |