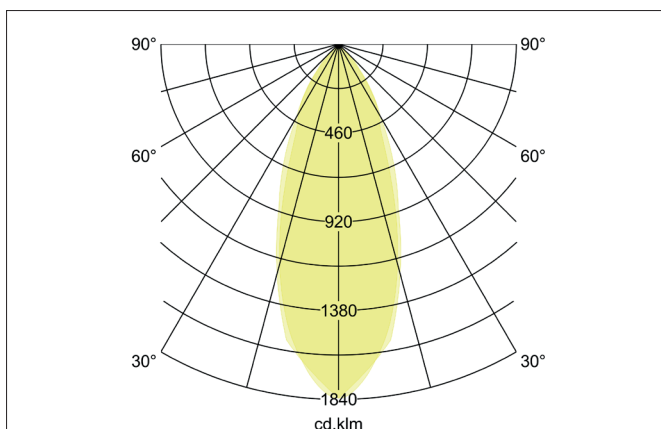
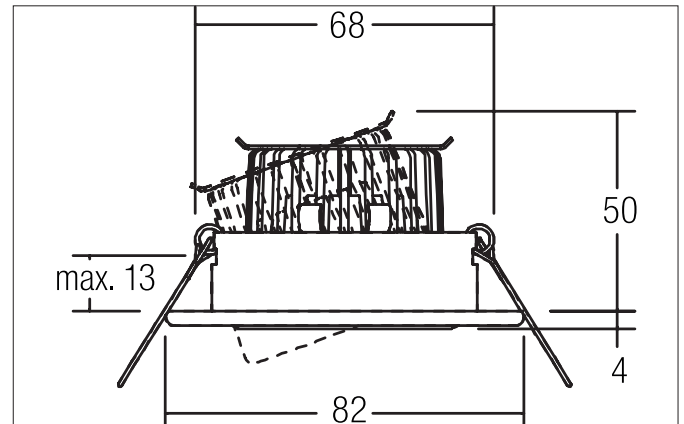
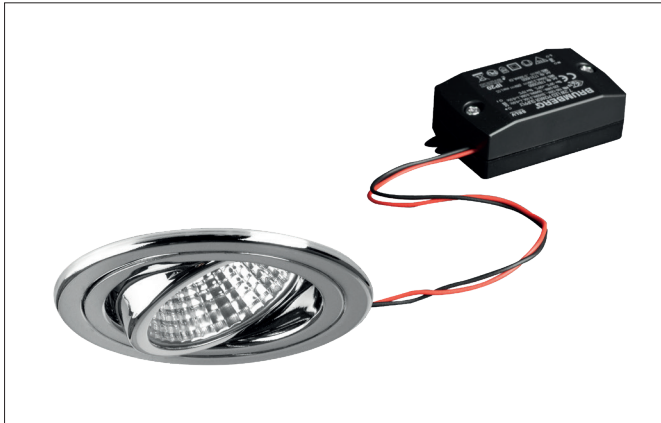


DAVEEN LED recessed spot set, on/off switchable
Article no. 38182023

Light.
For Generations.



Tender

LED recessed spot set, on/off switchable, Round. Toolless ceiling installation by installation springs. Ceiling cut-out Ø 68 mm, Installation depth 50 mm, Outer diameter 82 mm, Weight 0,177 kg, Reflector silver with rotationssymmetrical, deep, wide distributed light intensity. optimal light distribution due to a glass transparent cover. Luminous flux 680 lm, Power 1 x 6 W, System Efficiency 113 lm/W, Light colour warm white, Correlated color temprature (CCT) 3.000 K, Colour rendering index CRI > 80, Housing material: Steel / Aluminium / Glass, Colour: Chrome, Permissible ambient temperature (ta): -20 °C - +25 °C, Protection class (EN 61140): II, Degree of protection (DIN EN 60529): IP20. With electronic driver, on/off switchable.

| Article data | |
|--------------------|--|
| Article no. | 38182023 |
| GTIN | 4251433909217 |
| Series name | DAVEEN |
| Short description | LED recessed spot set, on/off switchable |
| Material | Steel / Aluminium / Glass |
| Colour | Chrome |
| Type of surface | Glossy |
| Shape | Round |
| Outer diameter | 82 mm |
| Built-in diameter | 68 mm |
| Installation depth | 50 mm |
| Hight | 4 mm |
| Weight | 0.177 kg |

DAVEEN LED recessed spot set, on/off switchable

Article no. 38182023

Light.
For Generations.

| Lighting technology | |
|---------------------|------------|
| Colour temperature | 3.000 K |
| Light colour | White |
| Light output | Direct |
| Luminous flux | 680 lm |
| System efficiency | 113 lm/W |
| Colour rendering | CRI > 80 |
| Reflector | High-gloss |
| Reflektorfarbe | silver |
| Beam angle | 38° |
| Light sharing | Symmetric |

| Operating technology of the luminaire | |
|---------------------------------------|-----------|
| Lamp holder | Plug&Play |
| Power | 6 W |
| Voltage type | DC |
| Current | 350 mA |
| Lamp | LED |
| Protection class | III |
| Degree of protection | IP20 |
| Bulb change possible | Yes |

| Operating technology of driver | |
|--------------------------------|-----------------|
| Length | 68 mm |
| Length | 68 mm |
| Width | 35 mm |
| Width | 35 mm |
| Hight | 21 mm |
| Hight | 21 mm |
| AC nominal voltage min | 220 V |
| AC nominal voltage max | 240 V |
| Frequenz max. | 50 Hz |
| Frequenz max. | 50 Hz |
| Dimmable | No |
| Control | on/off |
| Starting current | 10 A (max.10ms) |
| Power min | 1 W |
| Power | 7.2 W |
| Current | 350 mA |
| Degree of protection | IP20 |
| Protection class | II |
| Flickerfrei | Yes |

| Mounting technology | |
|-----------------------------|---|
| Mounting method | Recessed mounting |
| Place of installation | Ceiling-mounted |
| Adjustability | Pivoted |
| Swivel angle | 25° |
| Max. ceiling thickness | 13 mm |
| Further references | No cover with thermal insulation material |
| Material cover | Glass transparent |
| Circlip | Without circlip |
| Suitable for through-wiring | Yes, with optional accessories |

DAVEEN LED recessed spot set, on/off switchable

Article no. 38182023

Light.
For Generations.

| Packing data | |
|-------------------------|--|
| Gross weight | 0.215 kg |
| Length of packaging | 100 mm |
| Packaging width | 100 mm |
| Packaging height | 100 mm |
| Disposal at end of life | <p>This product must not be disposed of with household waste. You are obliged, to dispose of such electrical waste separately.</p> <p>By disposing of electrical waste and other old or defective electronics separately, you support recycling or other forms of re-use. In that way you help to take care and to avoid that harmful substances get into the environment.</p> |