



Autotool System 3080

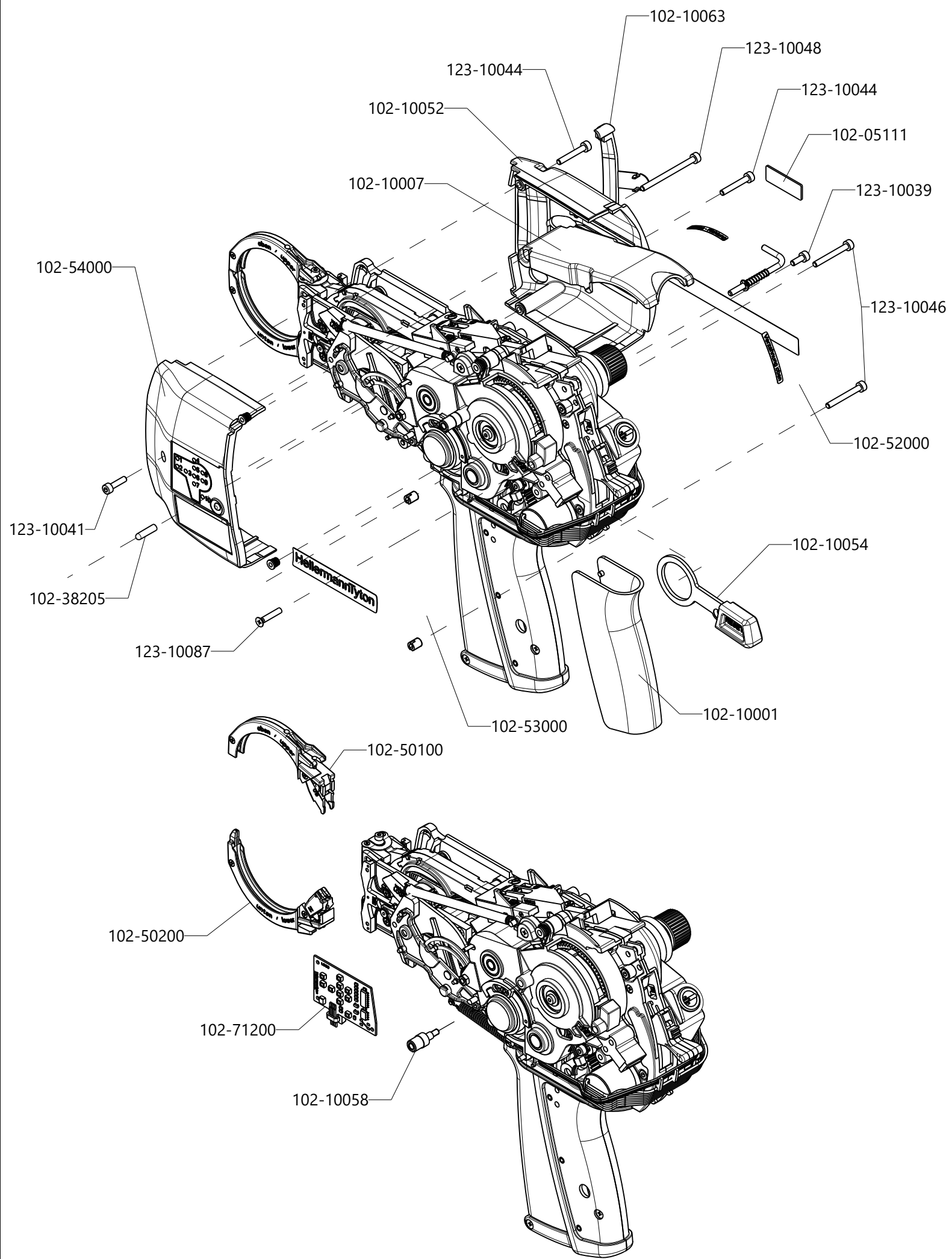
Ersatzteilliste
Spare parts list

Liste des pieces de rechange
Lista piezas de recambio
Elenco parti di ricambio



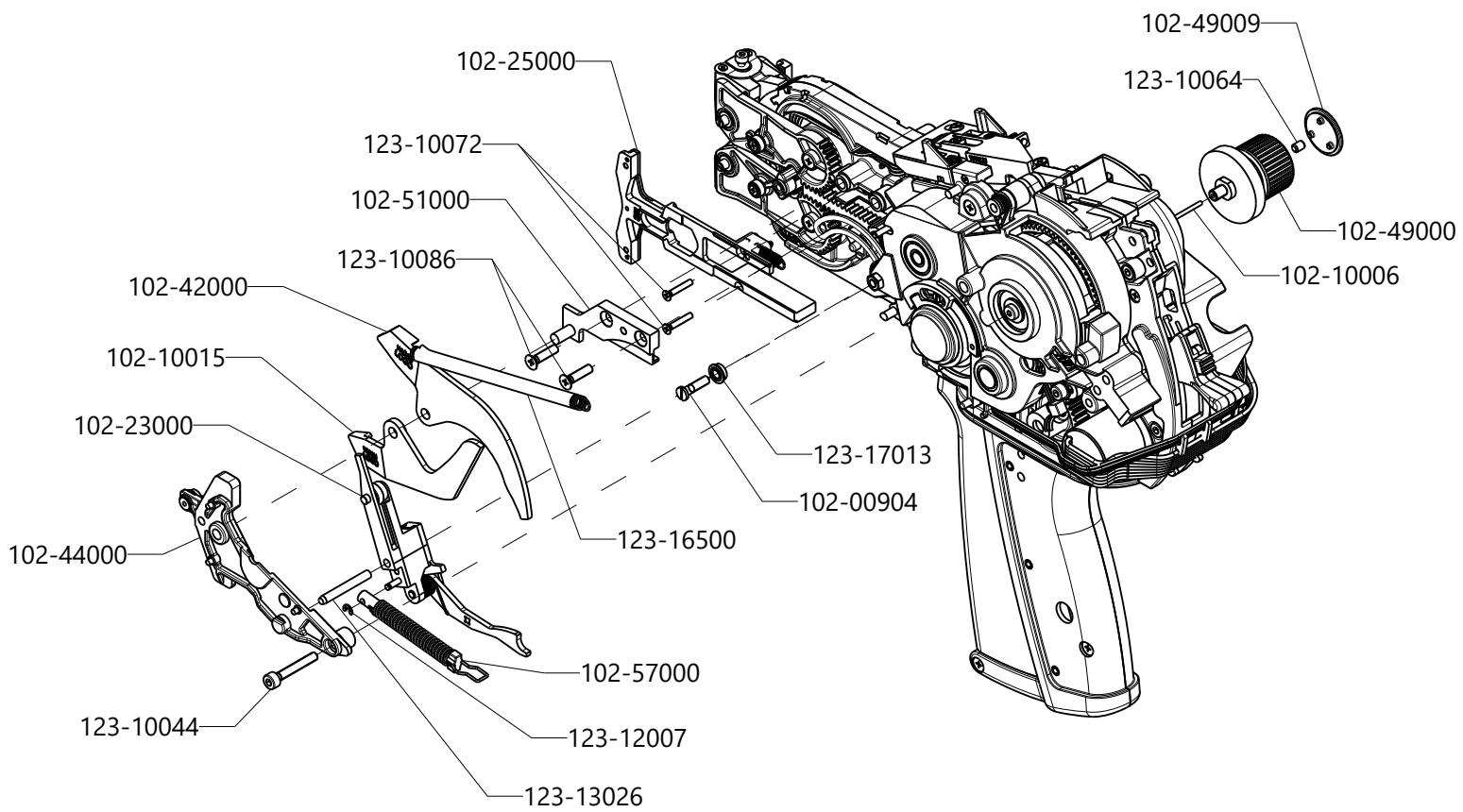
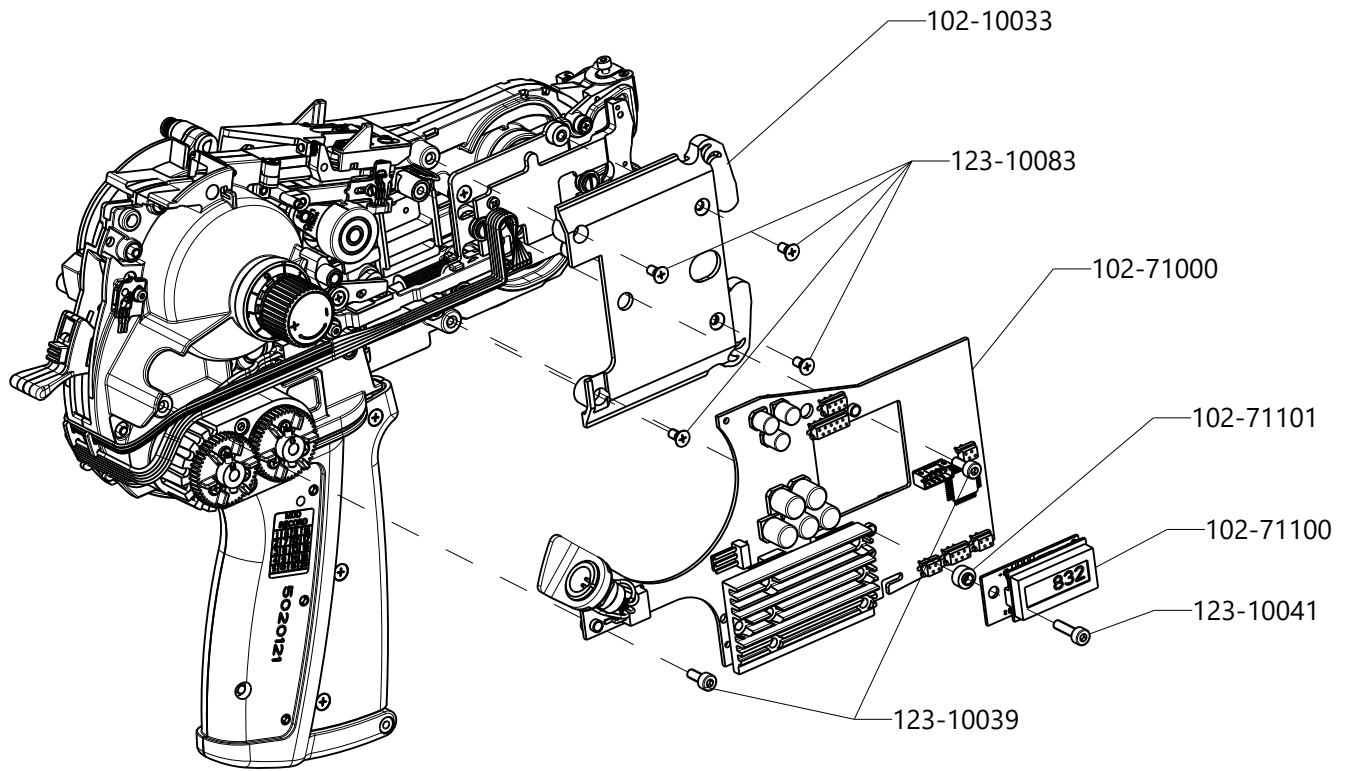
Spare parts list

Description	Part number
Cover counter	102-05111
Soft grip	102-10001
Cover closure transport	102-10007
Housing right front	102-10052
Lever reset	102-10054
Holder hanger left	102-10058
Stop 50	102-10063
Cap release lever	102-38205
Upper jaw 50mm cpl.	102-50100
Lower jaw 50mm cpl.	102-50200
Housing right cpl.	102-52000
Housing left cpl.	102-53000
Housing left front cpl.	102-54000
Display PCB cpl.	102-71200
Screw DIN 912 - ISO 4762 - M3x8 A2	123-10039
Screw DIN 912 - ISO 4762 - M3x12 A2	123-10041
Screw DIN 912 - ISO 4762 - M3x20 A2	123-10044
Screw DIN 912 - ISO 4762 - M3x25 A2	123-10046
Screw DIN 912 - ISO 4762 - M3x40 A2	123-10048
Screw DIN 965 - ISO 7046-H - M3x16 A2	123-10087



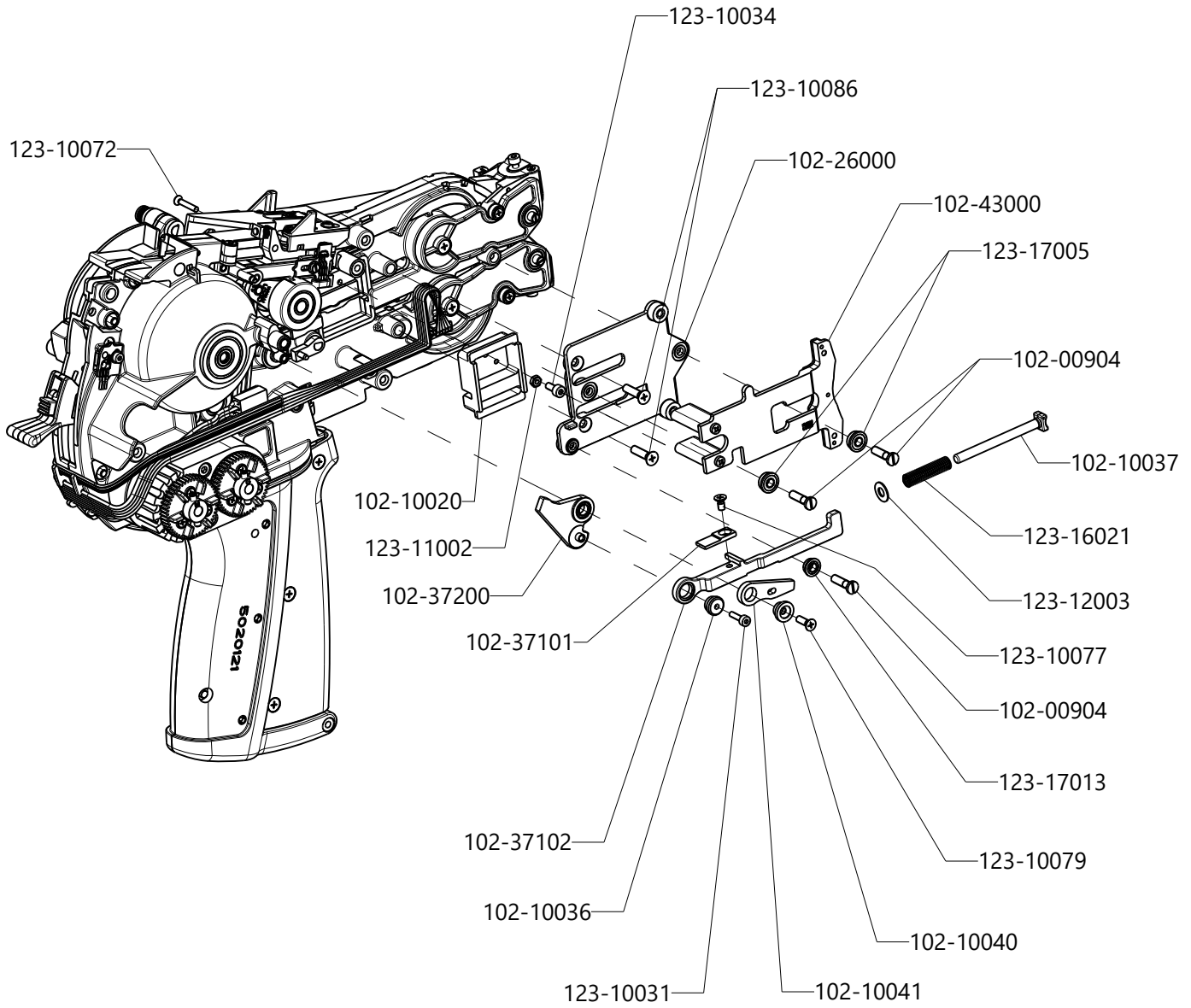
Spare parts list

Description	Part number
Screw bearing plate ejector	102-00904
Pin tension adjustment	102-10006
Operating lever lower jaw	102-10015
Jaw guide	102-10033
Lever 3 trigger cpl.	102-23000
Ejector left cpl.	102-25000
Operating lever upper jaw cpl.	102-42000
Counter bearing operating lever (Jaws) cpl.	102-44000
Tension adjustment cpl.	102-49000
Cover tension adjustment	102-49009
Bearing block operating lever cpl.	102-51000
Spring trigger cpl.	102-57000
Main PCB cpl.	102-71000
Counter PCB cpl.	102-71100
Bush (Counter PCB)	102-71101
Screw DIN 912 - ISO 4762 - M3x8 A2	123-10039
Screw DIN 912 - ISO 4762 - M3x12 A2	123-10041
Screw DIN 912 - ISO 4762 - M3x20 A2	123-10044
Stud Screw DIN 913 - ISO 4026 - M3x3 A2	123-10064
Screw DIN 965 - ISO 7046-H - M2x12 A2	123-10072
Screw DIN 965 - ISO 7046-H - M3x6 A2	123-10083
Screw DIN 965 - ISO 7046-H - M3x12 A2	123-10086
Lock Washer DIN 6799 - 1,5	123-12007
Pin DIN 6325 - ISO 8734 - 3m6x24	123-13026
Spring RZ-060E-05X	123-16500
Ball Bearing MF63ZZ	123-17013



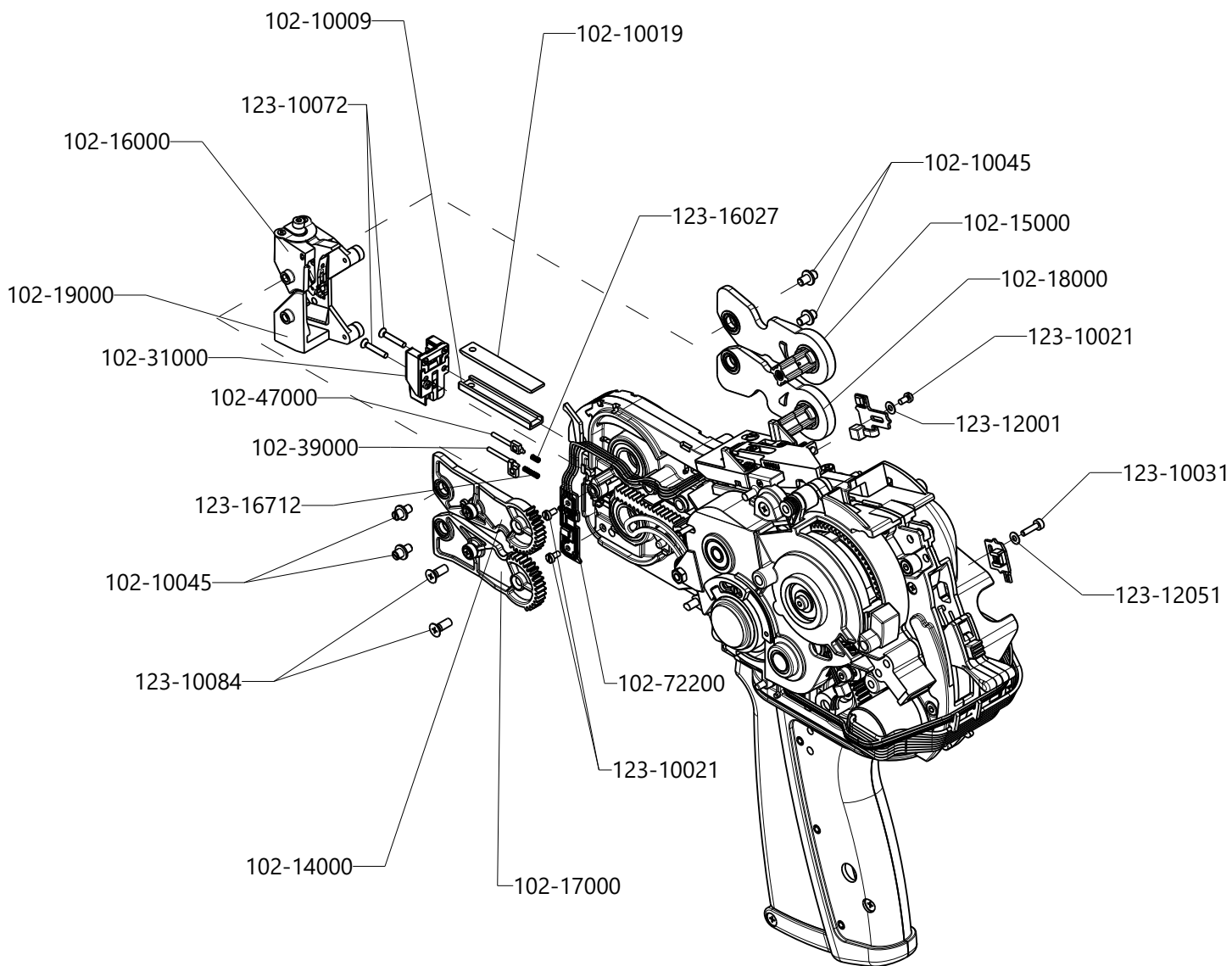
Spare parts list

Description	Part number
Cover strap channel	102-10020
Bush ejector	102-10036
Spring guide ejector	102-10037
Bush latch ejector	102-10040
Latch ejector	102-10041
Bearing plate ejector cpl.	102-26000
Stop lever deflector	102-37101
Lever deflector	102-37102
Bell crank deflector cpl.	102-37200
Deflector right cpl.	102-43000
Screw DIN 912 - ISO 4762 - M2x8 A2	123-10031
Screw DIN 912 - ISO 4762 - M2,5x6 A2	123-10034
Screw DIN 965 - ISO 7046-H - M2x12 A2	123-10072
Screw DIN 965 - ISO 7046-H - M2,5x5 A2	123-10077
Screw DIN 965 - ISO 7046-H - M2,5x8 A2	123-10079
Screw DIN 965 - ISO 7046-H - M3x12 A2	123-10086
Nut DIN 934 - ISO 4032 - M2 A2	123-11002
Washer DIN 125 - ISO 7089 - A3,7 A2	123-12003
Spring D-090M-02	123-16021
Ball Bearing F683ZZ	123-17005
Ball Bearing MF63ZZ	123-17013

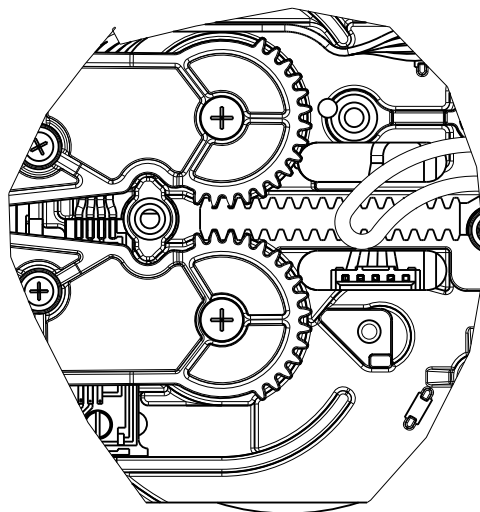


Spare parts list

Description	Part number
Strap channel front	102-10009
Cover strap channel front	102-10019
Pin screw fixture jaws	102-10045
Lever upper jaw left cpl.	102-14000
Lever upper jaw right cpl.	102-15000
Fixture upper jaw cpl.	102-16000
Lever lower jaw left cpl.	102-17000
Lever lower jaw right cpl.	102-18000
Fixture lower jaw cpl.	102-19000
Front cap cpl.	102-31000
Shift rod lever switch cpl.	102-39000
Shift rod lever closure cpl.	102-47000
Harness 2	102-72200
Screw DIN 84 - ISO 1207 - M2x4 A2	123-10021
Screw DIN 912 - ISO 4762 - M2x8 A2	123-10031
Screw DIN 965 - ISO 7046-H - M2x12 A2	123-10072
Screw DIN 965 - ISO 7046-H - M3x8 A2	123-10084
Washer DIN 125 - ISO 7089 - A2,2 A2	123-12001
Washer DIN 125 - ISO 7089 - A2,2 Pap RD	123-12051
Spring D-2026	123-16027
Spring D-2027	123-16028

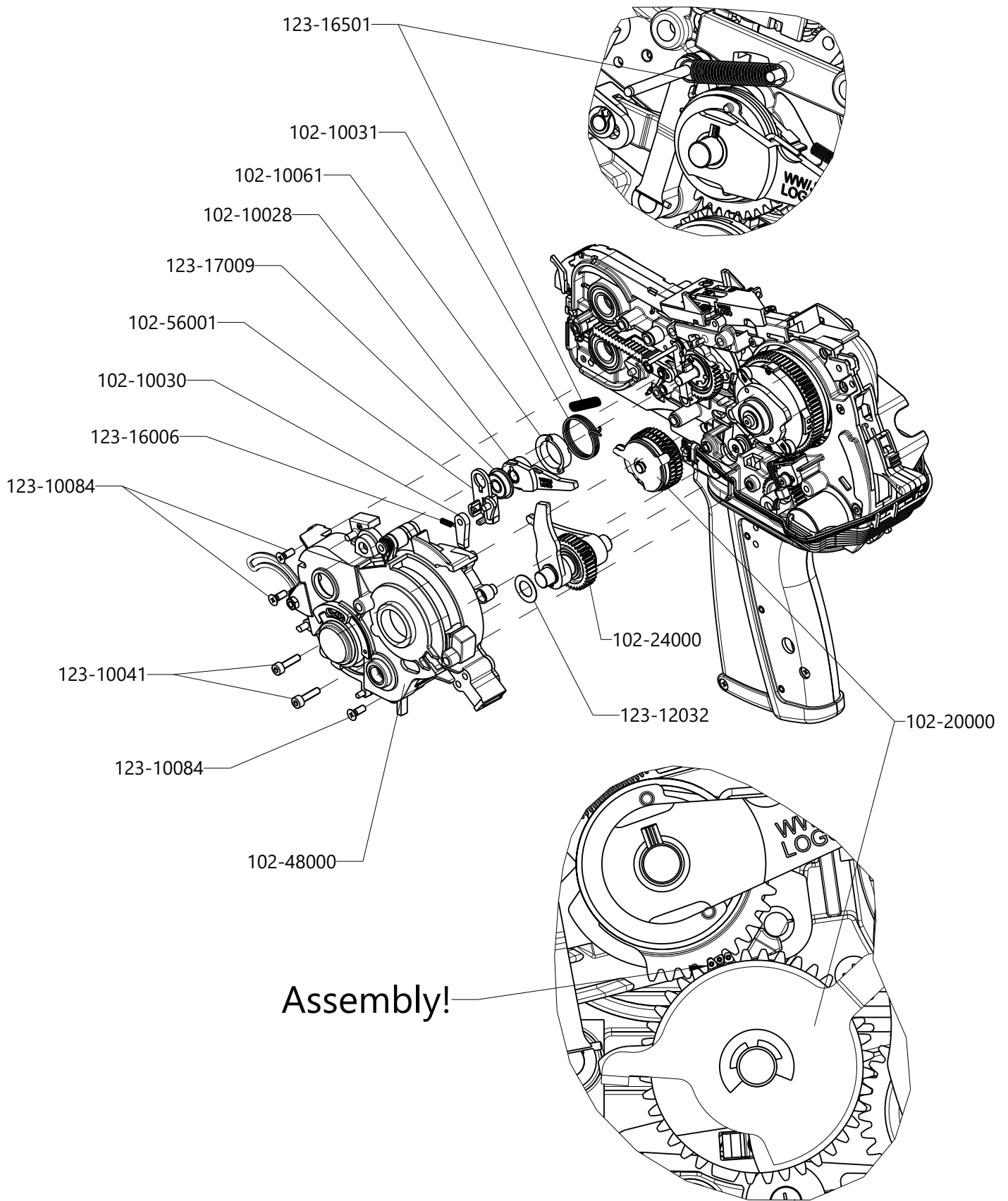


Assembly



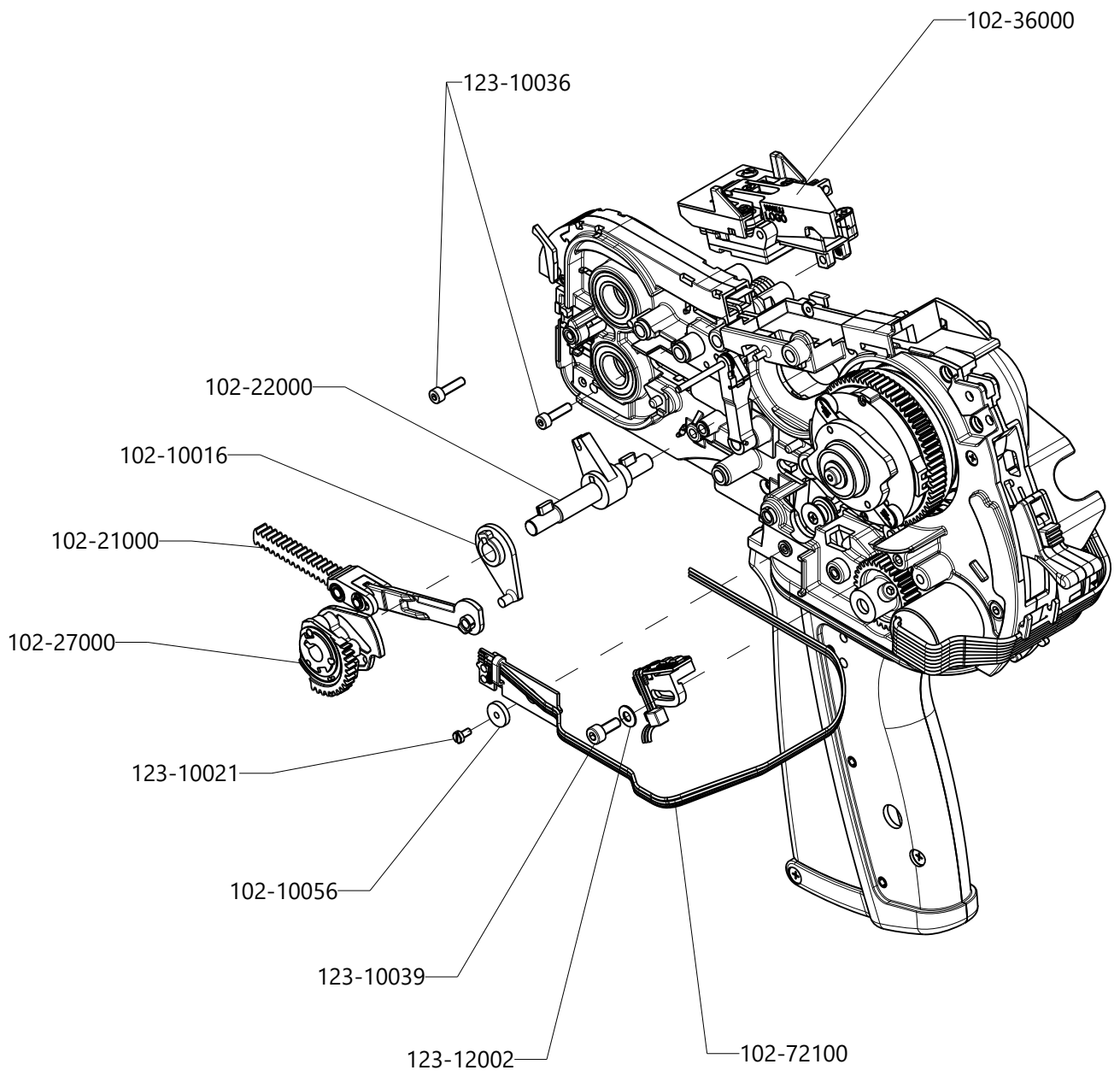
Spare parts list

Description	Part number
Roller lever	102-10028
Pawl cam wheel	102-10030
Torsion spring gear segment	102-10031
Bush torsion spring roller lever	102-10061
Free wheeling cpl.	102-20000
Lever tail cutter cpl.	102-24000
Link closure transport cpl.	102-48000
Holder pawl cam wheel	102-56001
Screw DIN 912 - ISO 4762 - M3x12 A2	123-10041
Screw DIN 965 - ISO 7046-H - M3x8 A2	123-10084
Washer DIN 988 - 8x14x0,25 A2	123-12032
Spring D-025A	123-16006
Spring Z-017I	123-16501
Ball Bearing F695ZZ	123-17009



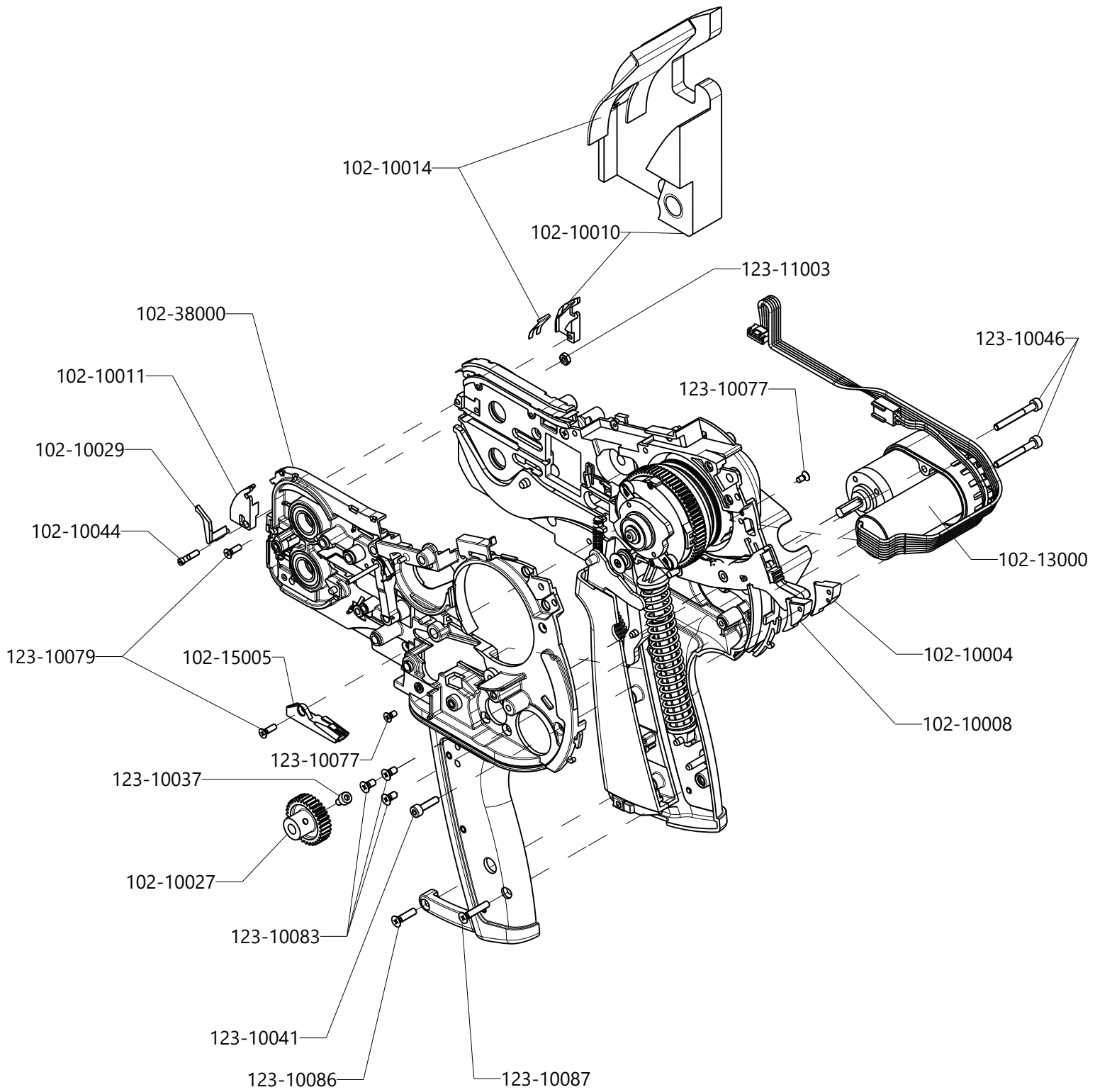
Spare parts list

Description	Part number
Lever rack drive	102-10016
Washer trigger PCB	102-10056
Rack cpl.	102-21000
Shaft drive closure transport cpl.	102-22000
Gear segment ZZ15/40 cpl.	102-27000
Closure transport cpl.	102-36000
Harness 1	102-72100
Screw DIN 84 - ISO 1207 - M2x4 A2	123-10021
Screw DIN 912 - ISO 4762 - M2,5x10 A2	123-10036
Screw DIN 912 - ISO 4762 - M3x8 A2	123-10039
Washer DIN 125 - ISO 7089 - A3,2 A2	123-12002



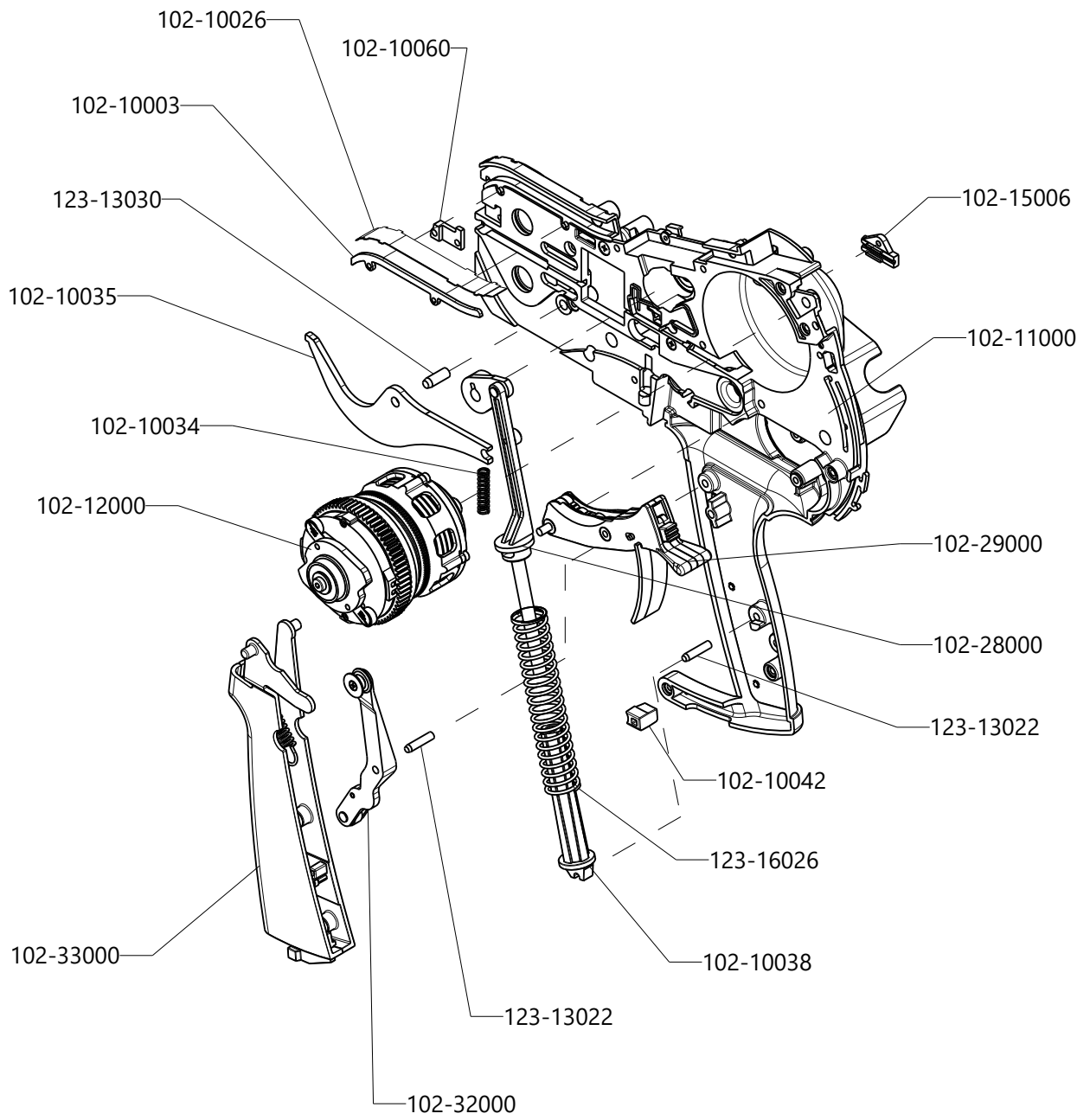
Spare parts list

Description	Part number
Strap entry guide right	102-10004
Strap entry guide left	102-10008
Closure guide front right	102-10010
Closure guide front left	102-10011
Spring plate closure guide	102-10014
Gear ZZ32 Module 0.7	102-10027
Lever closure guide	102-10029
Screw closure guide front	102-10044
Drive cpl.	102-13000
Strap exit guide cpl.	102-15005
Housing left cpl.	102-38000
Screw DIN 912 - ISO 4762 - M3x5 A2	123-10037
Screw DIN 912 - ISO 4762 - M3x12 A2	123-10041
Screw DIN 912 - ISO 4762 - M3x25 A2	123-10046
Screw DIN 965 - ISO 7046-H - M2,5x5 A2	123-10077
Screw DIN 965 - ISO 7046-H - M2,5x8 A2	123-10079
Screw DIN 965 - ISO 7046-H - M3x6 A2	123-10083
Screw DIN 965 - ISO 7046-H - M3x12 A2	123-10086
Screw DIN 965 - ISO 7046-H - M3x16 A2	123-10087
Nut DIN 934 - ISO 4032 - M2,5 A2	123-11003



Spare parts list

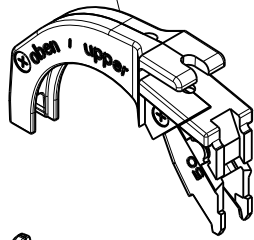
Description	Part number
Closure guide	102-10003
Insert closure guide	102-10026
Spring lever strap cutter	102-10034
Lever strap cutter	102-10035
Spring guide closure transport	102-10038
Stop trigger	102-10042
Holder closure guide front	102-10060
Main carrier right cpl.	102-11000
Clutch cpl.	102-12000
Strap exit guide right	102-15006
Link closure transport cpl.	102-28000
Roller block cpl.	102-29000
Lever 1 trigger cpl.	102-32000
Trigger cpl.	102-33000
Pin DIN 6325 - ISO 8734 - 3m6x14	123-13022
Pin DIN 6325 - ISO 8734 - 4m6x12	123-13030
Spring D-190	123-16026



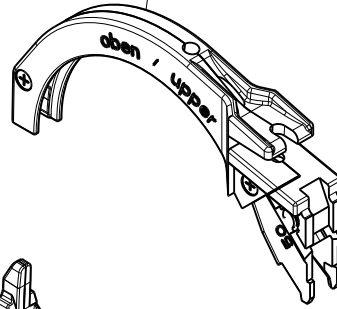
Spare parts list

Description	Part number
Upper jaw 30mm cpl.	102-30100
Lower jaw 30mm cpl.	102-30200
Upper jaw 50mm cpl.	102-50100
Lower jaw 50mm cpl.	102-50200
Upper jaw 80mm cpl.	102-80100
Lower jaw 80mm cpl.	102-80200
Upper jaw 50mm foot parts cpl.	102-55100
Lower jaw 50mm foot parts cpl.	102-55200
Spring flaps	102-00901
Pin flaps	102-00902
Flap lower jaw right cpl.	102-00910
Flap lower jaw left cpl.	102-00920
Flap upper jaw left	102-00930
Flap upper jaw right	102-00940
Flap right upper jaw 80mm	102-80102
Flap left upper jaw 80mm	102-80103

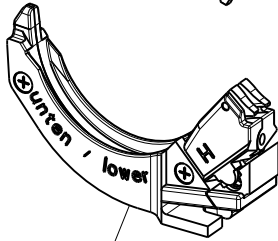
102-30100



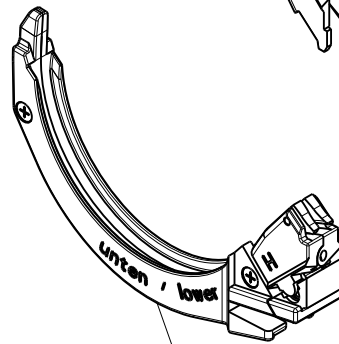
102-50100



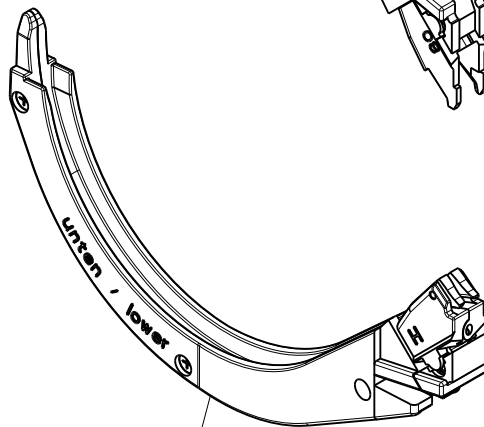
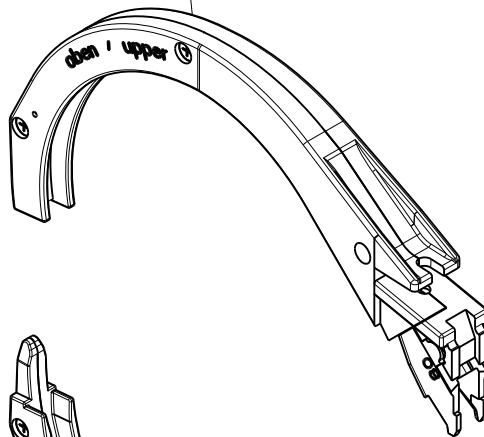
102-30200



102-50200



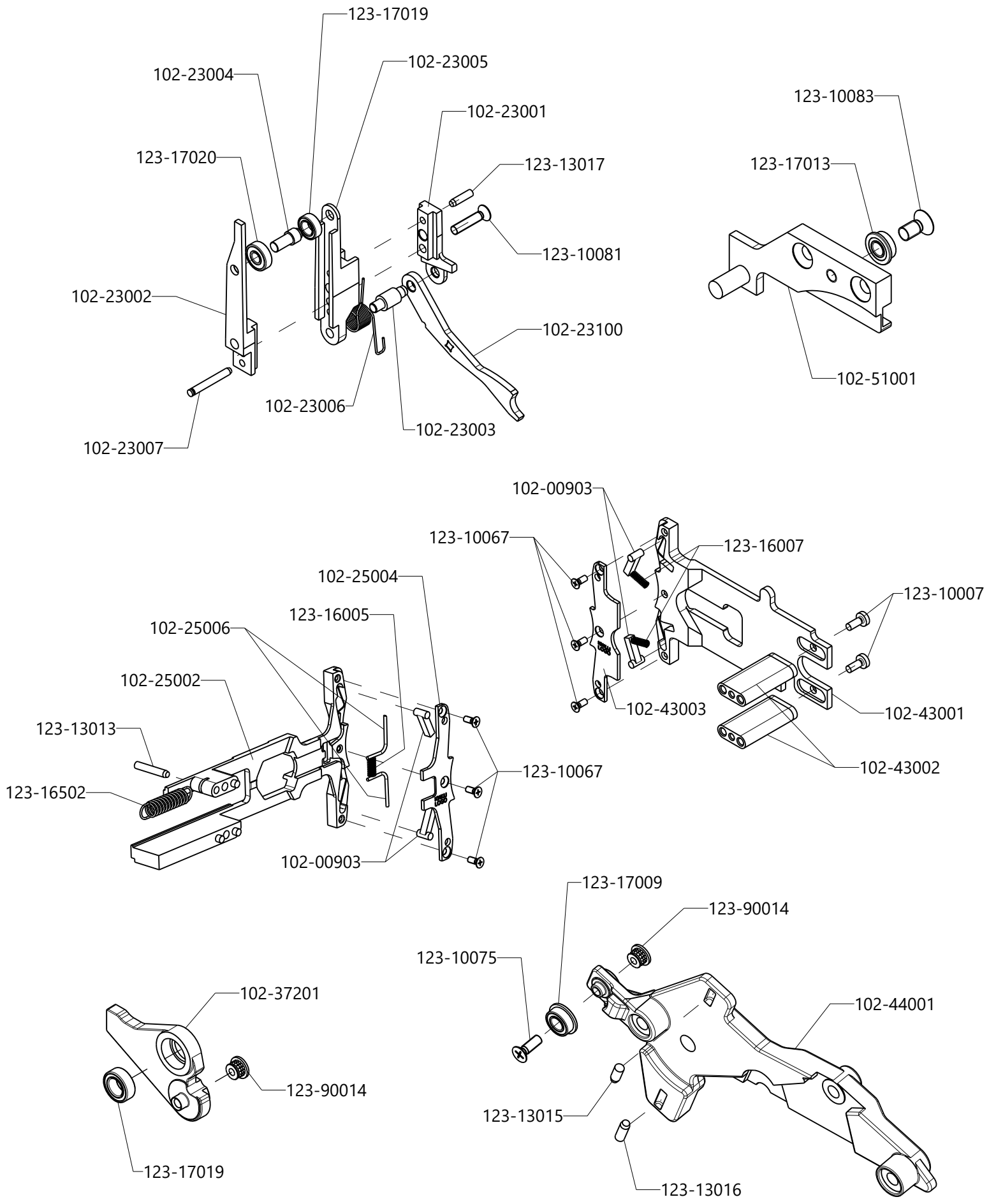
102-80100



102-80200

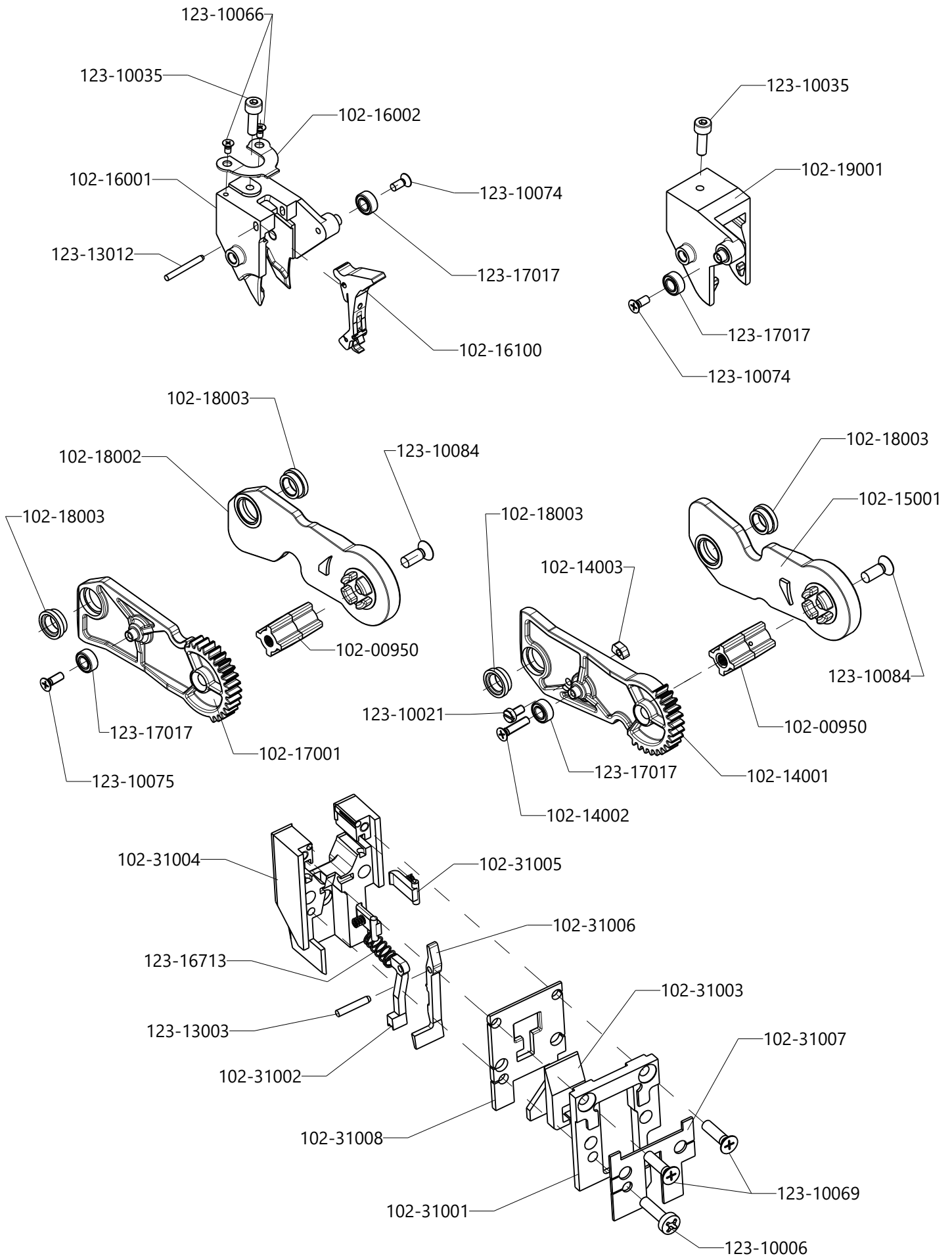
Spare parts list

Description	Part number
Latch jaw interlock	102-00903
Lever 3 trigger right	102-23001
Lever 3 trigger left	102-23002
Shaft spring lever 3	102-23003
Shaft bearing lever 3	102-23004
Center part lever 3	102-23005
Torsion spring lever 3	102-23006
Pin lever 3	102-23007
Lever 2 trigger cpl.	102-23100
Ejector left	102-25002
Cover ejector left	102-25004
Spring jaw interlock left	102-25006
Bell crank deflector	102-37201
Deflector right	102-43001
Spacer deflector	102-43002
Cover deflector Right	102-43003
Counter bearing operating lever (Jaws)	102-44001
Bearing block operating lever	102-51001
Screw DIN 7985 - ISO 7045 - M2x5 A2	123-10007
Screw DIN 965 - ISO 7046-H - M1,6x4 A2	123-10067
Screw DIN 965 - ISO 7046-H - M2x6 A2	123-10075
Screw DIN 965 - ISO 7046-H - M2,5x12 A2	123-10081
Screw DIN 965 - ISO 7046-H - M3x6 A2	123-10083
Pin DIN 6325 - ISO 8734 - 2m6x12	123-13013
Pin DIN 6325 - ISO 8734 - 2m6x5	123-13015
Pin DIN 6325 - ISO 8734 - 2m6x6	123-13016
Pin DIN 6325 - ISO 8734 - 2m6x8	123-13017
Spring VD-024A	123-16005
Spring D-026J	123-16007
Spring Z-043I	123-16502
Ball Bearing F695ZZ	123-17009
Ball Bearing MF63ZZ	123-17013
Ball Bearing MR74ZZS	123-17019
Ball Bearing MR83	123-17020
Tappex M2 / 2,1 (073M2)	123-90014



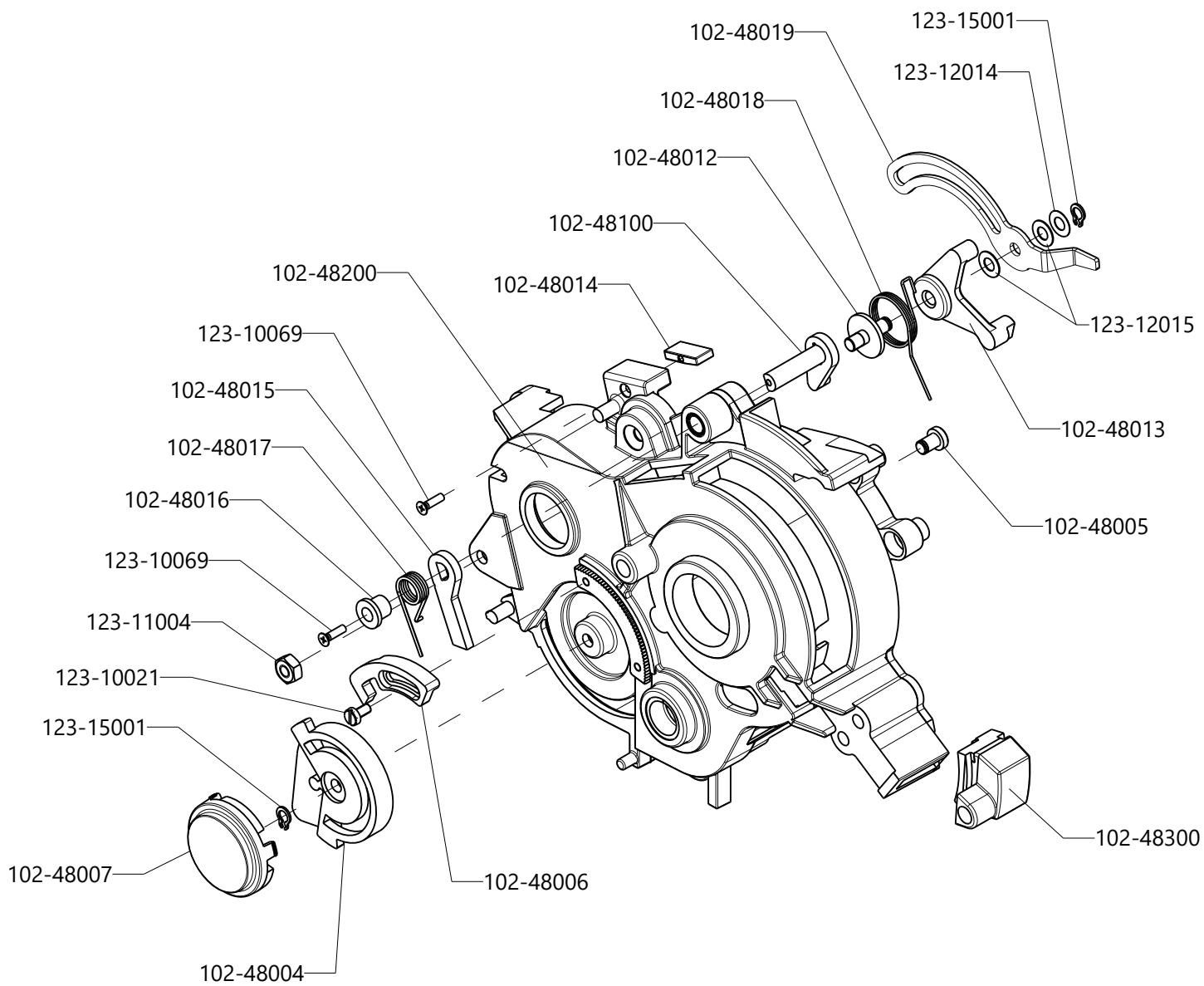
Spare parts list

Description	Part number
Link Lever Jaw cpl.	102-00950
Lever upper jaw left	102-14001
Screw lever upper jaw	102-14002
Stop lever upper jaw	102-14003
Lever upper jaw right	102-15001
Fixture upper jaw	102-16001
Spring plate lever closure transport	102-16002
Lever closure transport cpl.	102-16100
Lever lower jaw left	102-17001
Lever lower jaw right	102-18002
Bush lever jaw	102-18003
Fixture lower jaw	102-19001
Guide tail cutter	102-31001
Lever sensor closure	102-31002
Tail cutter	102-31003
Front cap	102-31004
Clamp lever front cap	102-31005
Lever switch	102-31006
Cover front cap	102-31007
Counter blade	102-31008
Screw DIN 7985 - ISO 7045 - M1,6x6 A2	123-10006
Screw DIN 84 - ISO 1207 - M2x4 A2	123-10021
Screw DIN 912 - ISO 4762 - M2,5x8 A2	123-10035
Screw DIN 965 - ISO 7046-H - M1,6x3 A2	123-10066
Screw DIN 965 - ISO 7046-H - M1,6x6 A2	123-10069
Screw DIN 965 - ISO 7046-H - M2x5 A2	123-10074
Screw DIN 965 - ISO 7046-H - M2x6 A2	123-10075
Screw DIN 965 - ISO 7046-H - M3x8 A2	123-10084
Pin DIN 6325 - ISO 8734 - 1m6x6	123-13003
Pin DIN 6325 - ISO 8734 - 1,5m6x14	123-13012
Spring D-006A	123-16001
Ball Bearing MR63ZZ	123-17017

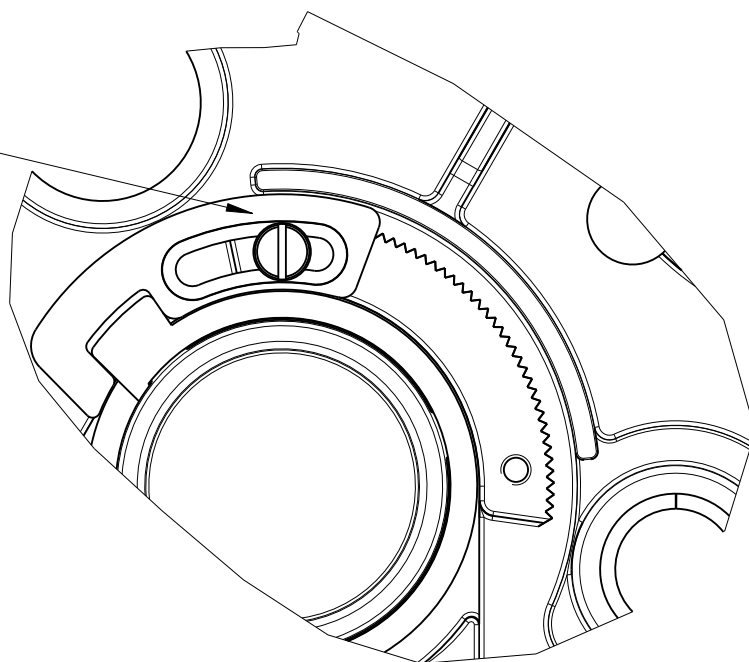


Spare parts list

Description	Part number
Adjusting knob	102-48004
Shaft adjusting knob	102-48005
Clamp adjusting knob	102-48006
Cover adjusting knob	102-48007
Shaft bell crank free wheeling	102-48012
Bell crank free wheeling	102-48013
Counter bearing closure transport cpl.	102-48014
Lever eccentric	102-48015
Holder spring eccentric	102-48016
Spring eccentric	102-48017
Torsion spring bell crank	102-48018
Switch lever free wheeling	102-48019
Eccentric cpl.	102-48100
Cover gearbox SA	102-48200
Slide reset lever cpl.	102-48300
Screw DIN 84 - ISO 1207 - M2x4 A2	123-10021
Screw DIN 965 - ISO 7046-H - M1,6x6 A2	123-10069
Nut DIN 934 - ISO 4032 - M3 A2	123-11004
Washer DIN 988 - 3x6x0,1 A2	123-12014
Washer DIN 988 - 3x6x0,2 A2	123-12015
Lock Ring DIN 471 - 3x0,4	123-15001

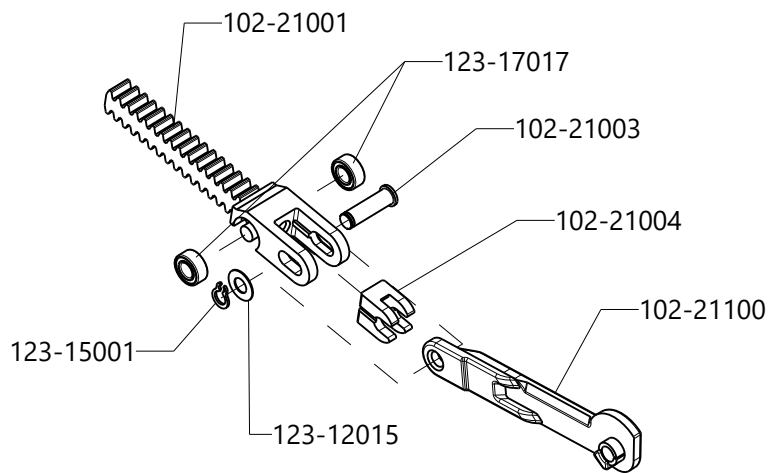
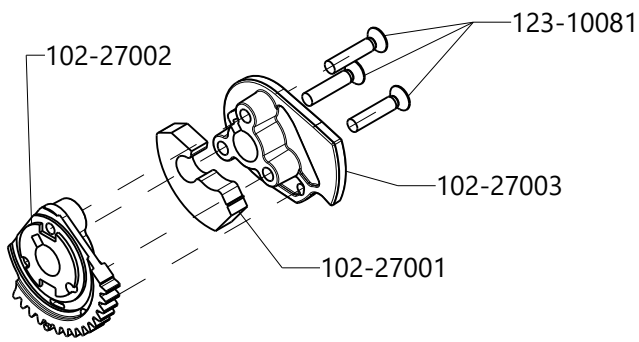
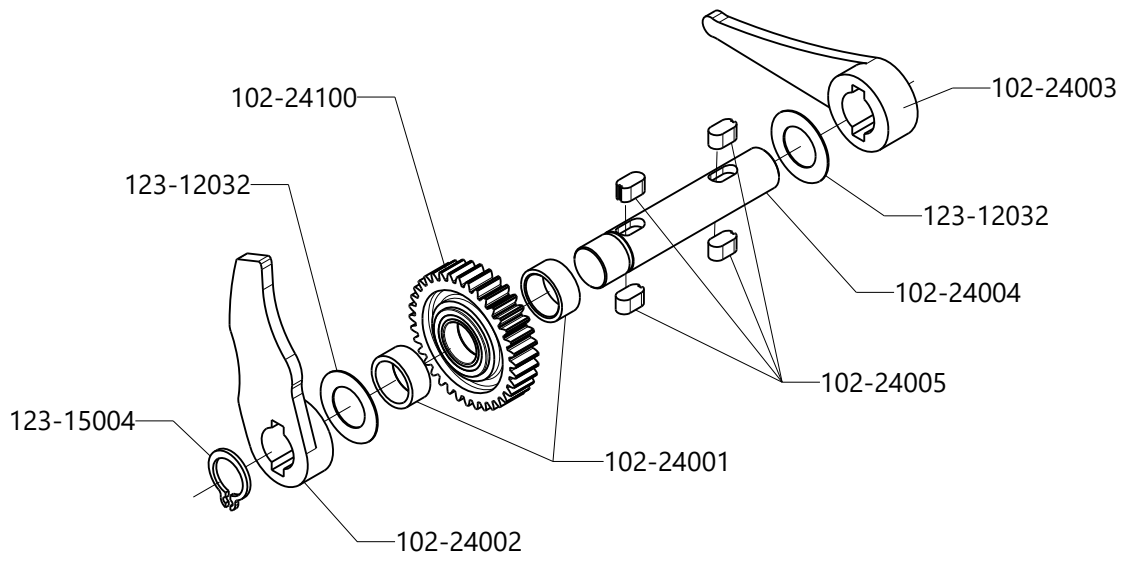


Assembly!



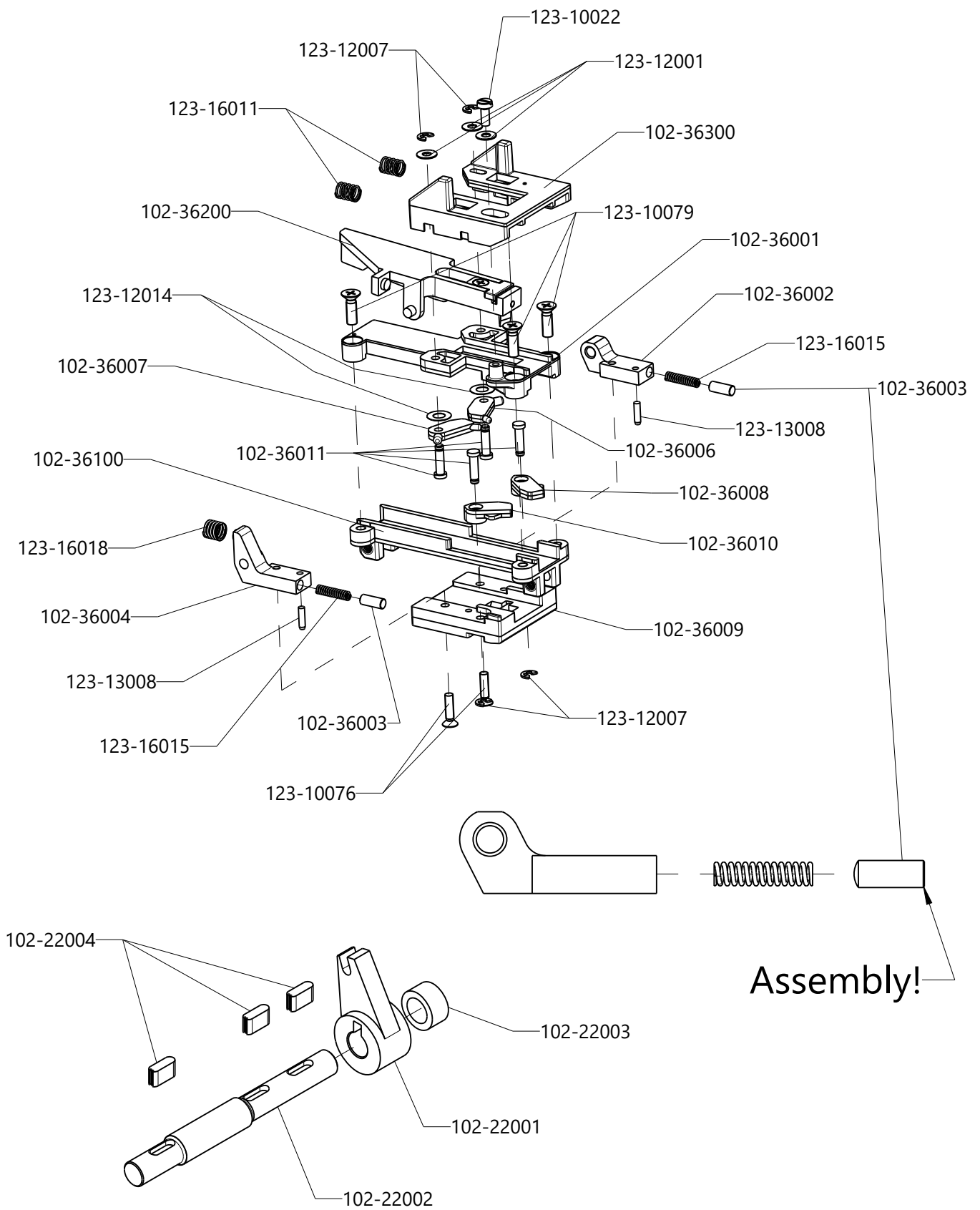
Spare parts list

Description	Part number
Rack	102-21001
Shaft rack	102-21003
Joint rack	102-21004
Lever rack cpl.	102-21100
Spacer lever tail cutter	102-24001
Lever tail cutter 2	102-24002
Lever tail cutter 1	102-24003
Shaft lever tail cutter	102-24004
Key 3x3x5,8	102-24005
Idler wheel ZZ36 cpl.	102-24100
Insert gear segment ZZ15/40	102-27001
Gear ZZ15/40	102-27002
Lever drive rack	102-27003
Screw DIN 965 - ISO 7046-H - M2,5x12 A2	123-10081
Washer DIN 988 - 3x6x0,2 A2	123-12015
Washer DIN 988 - 8x14x0,25 A2	123-12032
Lock Ring DIN 471 - 3x0,4	123-15001
Lock Ring DIN 471 - 8x0,8	123-15004
Ball Bearing MR63ZZ	123-17017



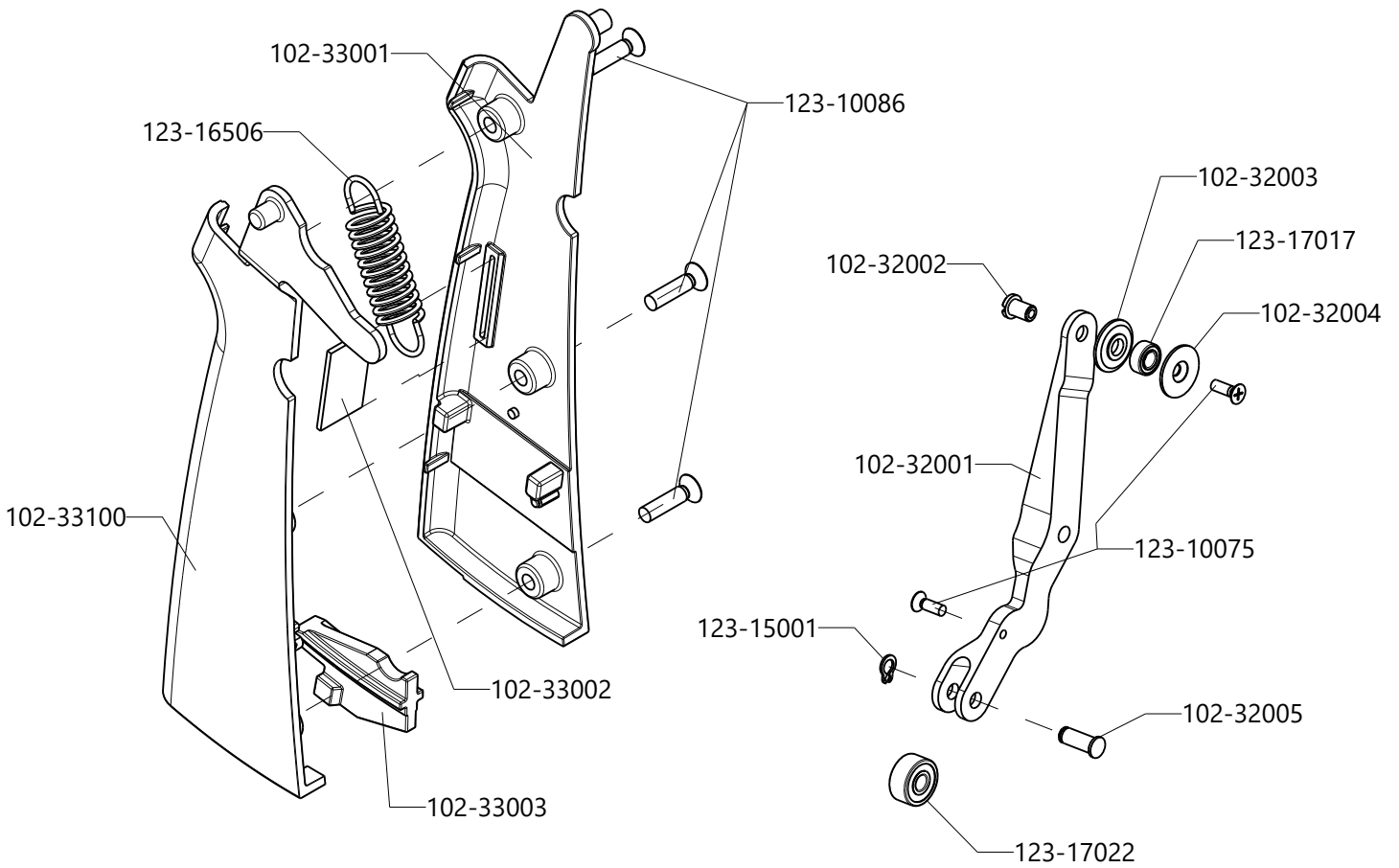
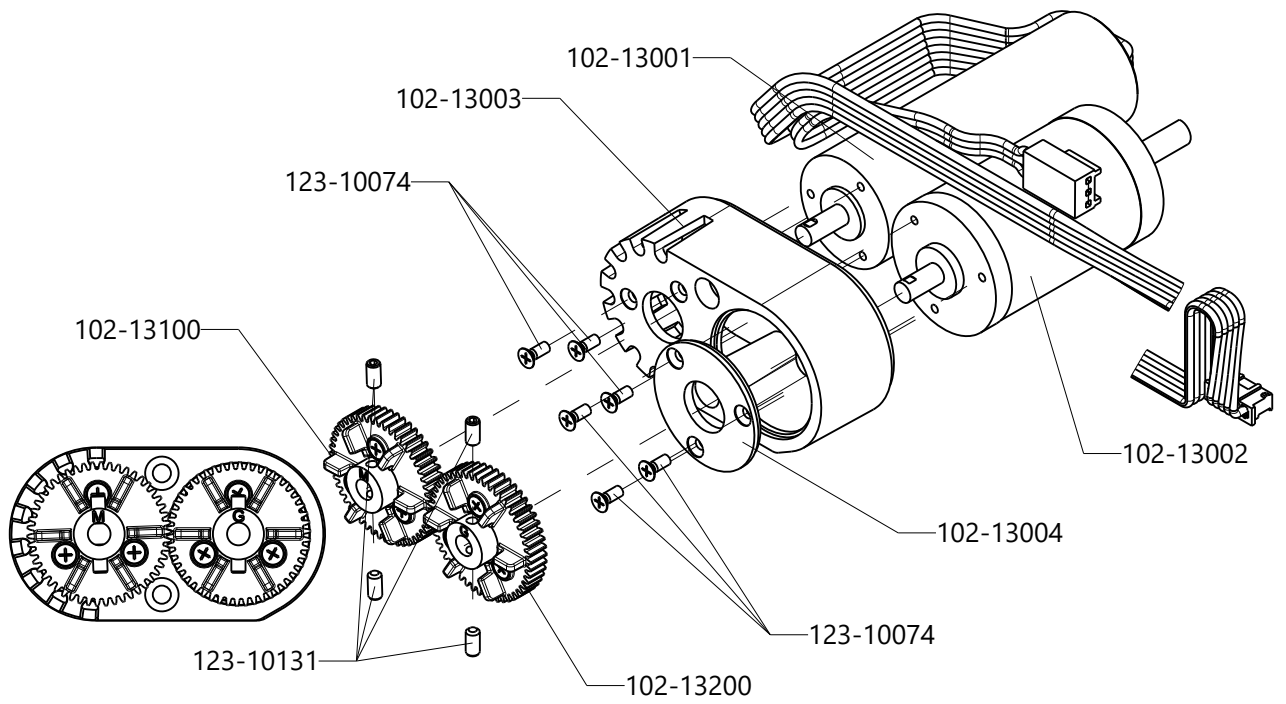
Spare parts list

Description	Part number
Lever drive closure transport	102-22001
Shaft drive closure transport	102-22002
Spacer drive closure transport	102-22003
Key 2x3,6x6	102-22004
Upper closure channel	102-36001
Bearing left lever closure cutter	102-36002
Pressure pin clamp	102-36003
Bearing right lever closure cutter	102-36004
Locking left	102-36006
Locking right	102-36007
Clamp left	102-36008
Slide closure transport	102-36009
Clamp right	102-36010
Shaft clamp	102-36011
Lower closure channel cpl.	102-36100
Lever closure cutter cpl.	102-36200
Lever closure cpl.	102-36300
Screw DIN 84 - ISO 1207 - M2x5 A2	123-10022
Screw DIN 965 - ISO 7046-H - M2x8 A2	123-10076
Screw DIN 965 - ISO 7046-H - M2,5x8 A2	123-10079
Washer DIN 125 - ISO 7089 - A2,2 A2	123-12001
Lock Washer DIN 6799 - 1,5	123-12007
Washer DIN 988 - 3x6x0,1 A2	123-12014
Pin DIN 6325 - ISO 8734 - 1,5m6x6	123-13008
Spring D-052C	123-16011
Spring D-063H	123-16015
Spring D-076	123-16018



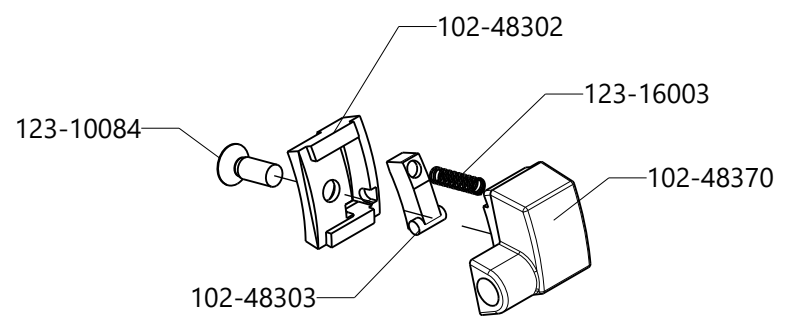
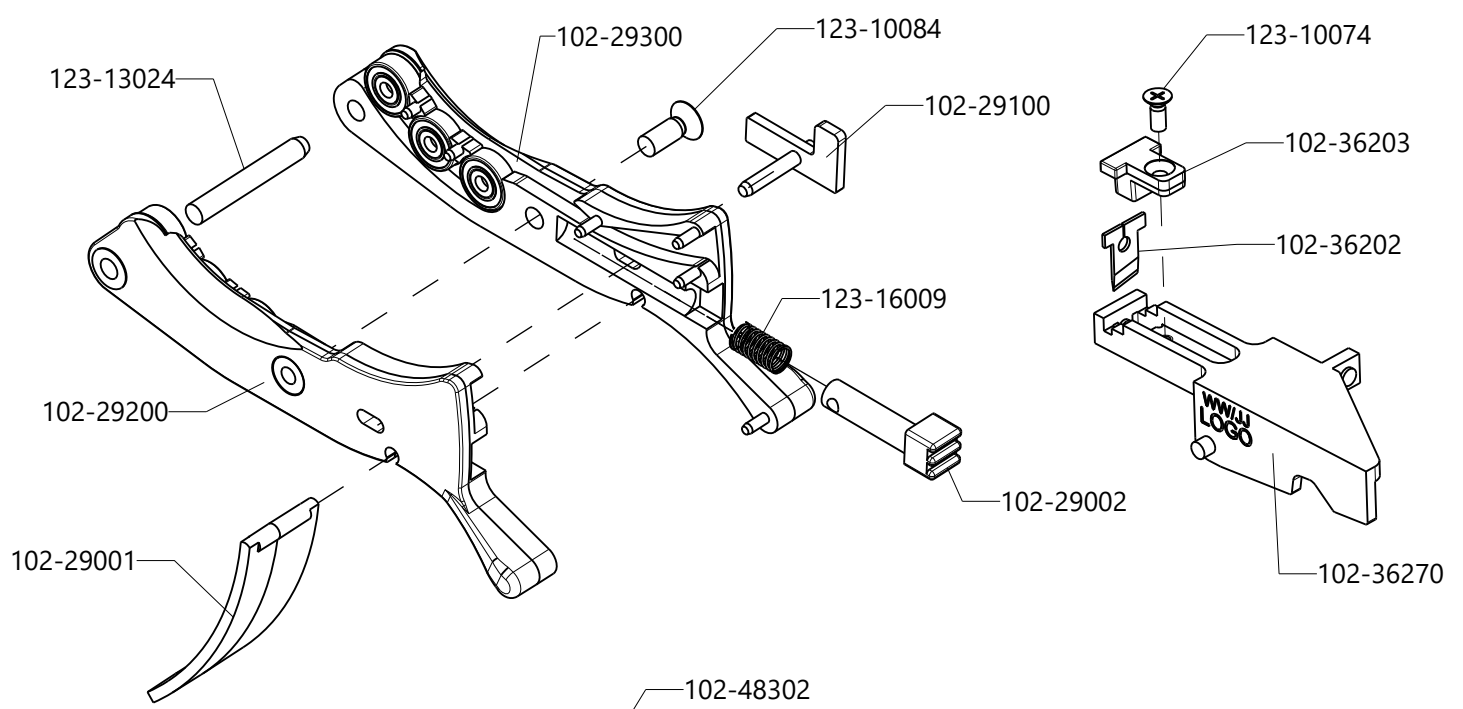
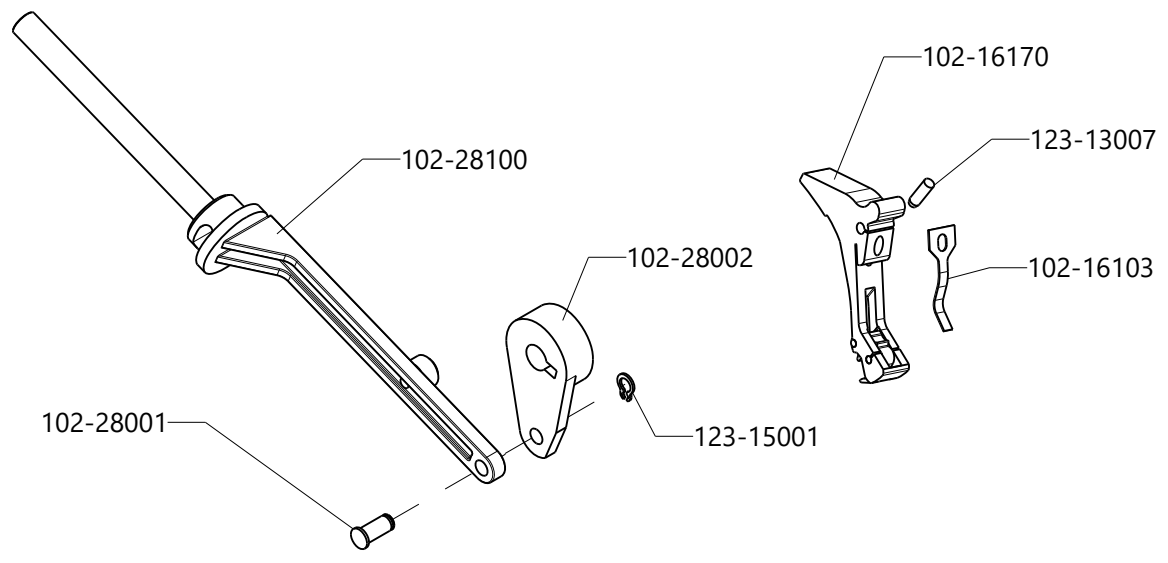
Spare parts list

Description	Part number
Motor Maxon	102-13001
Gearbox Maxon	102-13002
Holder drive	102-13003
Centering ring gearbox	102-13004
Gear ZZ50 motor cpl.	102-13100
Gear ZZ50 gearbox cpl.	102-13200
Lever 1 trigger	102-32001
Shaft 1 lever trigger	102-32002
Plate right lever trigger	102-32003
Plate left lever trigger	102-32004
Shaft 2 lever trigger	102-32005
Trigger right	102-33001
Counter bearing lever trigger	102-33002
Stop trigger	102-33003
Trigger left cpl.	102-33100
Screw DIN 965 - ISO 7046-H - M2x5 A2	123-10074
Screw DIN 965 - ISO 7046-H - M2x6 A2	123-10075
Screw DIN 965 - ISO 7046-H - M3x12 A2	123-10086
Stud Screw DIN 913 - ISO 4026 - M2,5x5 45H	123-10131
Lock Ring DIN 471 - 3x0,4	123-15001
Spring D-0911	123-16506
Ball Bearing MR63ZZ	123-17017
Ball Bearing MR93ZZ	123-17022



Spare parts list

Description	Part number
Spring plate clamp lever	102-16103
Lever closure transport mounted	102-16170
Shaft 7.4	102-28001
Lever link	102-28002
Link cpl.	102-28100
Cover roller block	102-29001
Push button roller block	102-29002
Holder magnet cpl.	102-29100
Roller block left cpl.	102-29200
Roller block right cpl.	102-29300
Blade closure cutter	102-36202
Clamp closure cutter	102-36203
Lever closure cutter (mounted)	102-36270
Slide reset lever	102-48302
Wedge slide reset lever	102-48303
Connector reset lever cpl.	102-48370
Screw DIN 965 - ISO 7046-H - M2x5 A2	123-10074
Screw DIN 965 - ISO 7046-H - M3x8 A2	123-10084
Pin DIN 6325 - ISO 8734 - 1,5m6x5	123-13007
Pin DIN 6325 - ISO 8734 - 3m6x22	123-13024
Lock Ring DIN 471 - 3x0,4	123-15001
Spring D-009	123-16003
Spring D-026R-03	123-16009



Accessories

Description	Part number
Bench mount kit movable	102-00040
Overhead suspension	102-00050
Switching power pack	102-00100
Helix cable	102-00123
Operation manual	102-01003
Case	102-01010
Service box ATS3080 cpl.	102-01100
Closure extractor	102-01110
Stop 80	102-10064
Short manual	102-29003
Upper jaw 50mm foot parts cpl.	102-55100
Lower jaw 50mm foot parts cpl.	102-55200
Hanger ATS3080	102-73025
Klübersynth G34-130 grease 7g	123-60001
Power cable	123-90040
Connection cable 2m	123-90052
Connection cable 5m	123-90053
Maintenance tool case ATS cpl.	123-90129

Overview

UNS	Description	Page
102-00903	Latch jaw interlock	21
102-00904	Screw bearing plate ejector	5
102-00950	Link Lever Jaw cpl.	23
102-05111	Cover counter	3
102-10001	Soft grip	3
102-10003	Closure guide	17
102-10004	Strap entry guide right	15
102-10006	Pin tension adjustment	5
102-10007	Cover closure transport	3
102-10008	Strap entry guide left	15
102-10009	Strap channel front	9
102-10010	Closure guide front right	15
102-10011	Closure guide front left	15
102-10014	Spring plate closure guide	15
102-10015	Operating lever lower jaw	5
102-10016	Lever rack drive	13
102-10019	Cover strap channel front	9
102-10020	Cover strap channel	7
102-10026	Insert closure guide	17
102-10027	Gear ZZ32 Module 0.7	15
102-10028	Roller lever	11
102-10029	Lever closure guide	15
102-10030	Pawl cam wheel	11
102-10031	Torsion spring gear segment	11
102-10033	Jaw guide	5
102-10034	Spring lever strap cutter	17
102-10035	Lever strap cutter	17
102-10036	Bush ejector	7
102-10037	Spring guide ejector	7
102-10038	Spring guide closure transport	17
102-10040	Bush latch ejector	7
102-10041	Latch ejector	7
102-10042	Stop trigger	17
102-10044	Screw closure guide front	15
102-10045	Pin screw fixture jaws	9
102-10052	Housing right front	3
102-10054	Lever reset	3
102-10056	Washer trigger PCB	13
102-10058	Holder hanger left	3
102-10060	Holder closure guide front	17
102-10061	Bush torsion spring roller lever	11
102-10063	Stop 50	3
102-11000	Main carrier right cpl.	17
102-12000	Clutch cpl.	17
102-13000	Drive cpl.	15
102-13001	Motor Maxon	31
102-13002	Gearbox Maxon	31
102-13003	Holder drive	31
102-13004	Centering ring gearbox	31

UNS	Description	Page
102-13100	Gear ZZ50 motor cpl.	31
102-13200	Gear ZZ50 gearbox cpl.	31
102-14000	Lever upper jaw left cpl.	9
102-14001	Lever upper jaw left	23
102-14002	Screw lever upper jaw	23
102-14003	Stop lever upper jaw	23
102-15000	Lever upper jaw right cpl.	9
102-15001	Lever upper jaw right	23
102-15005	Strap exit guide cpl.	15
102-15006	Strap exit guide right	17
102-16000	Fixture upper jaw cpl.	9
102-16001	Fixture upper jaw	23
102-16002	Spring plate lever closure transport	23
102-16100	Lever closure transport cpl.	23
102-16103	Spring plate clamp lever	33
102-16170	Lever closure transport mounted	33
102-17000	Lever lower jaw left cpl.	9
102-17001	Lever lower jaw left	23
102-18000	Lever lower jaw right cpl.	9
102-18002	Lever lower jaw right	23
102-18003	Bush lever jaw	23
102-19000	Fixture lower jaw cpl.	9
102-19001	Fixture lower jaw	23
102-20000	Free wheeling cpl.	11
102-21000	Rack cpl.	13
102-21001	Rack	27
102-21003	Shaft rack	27
102-21004	Joint rack	27
102-21100	Lever rack cpl.	27
102-22000	Shaft drive closure transport cpl.	13
102-22001	Lever drive closure transport	29
102-22002	Shaft drive closure transport	29
102-22003	Spacer drive closure transport	29
102-22004	Key 2x3,6x6	29
102-23000	Lever 3 trigger cpl.	5
102-23001	Lever 3 trigger right	21
102-23002	Lever 3 trigger left	21
102-23003	Shaft spring lever 3	21
102-23004	Shaft bearing lever 3	21
102-23005	Center part lever 3	21
102-23006	Torsion spring lever 3	21
102-23007	Pin lever 3	21
102-23100	Lever 2 trigger cpl.	21
102-24000	Lever tail cutter cpl.	11
102-24001	Spacer lever tail cutter	27
102-24002	Lever tail cutter 2	27
102-24003	Lever tail cutter 1	27
102-24004	Shaft lever tail cutter	27
102-24005	Key 3x3x5,8	27

Overview

UNS	Description	Page
102-24100	Idler wheel ZZ36 cpl.	27
102-25000	Ejector left cpl.	5
102-25002	Ejector left	21
102-25004	Cover ejector left	21
102-25006	Spring jaw interlock left	21
102-26000	Bearing plate ejector cpl.	7
102-27000	Gear segment ZZ15/40 cpl.	13
102-27001	Insert gear segment ZZ15/40	27
102-27002	Gear ZZ15/40	27
102-27003	Lever drive rack	27
102-28000	Link closure transport cpl.	17
102-28001	Shaft 7.4	33
102-28002	Lever link	33
102-28100	Link cpl.	33
102-29000	Roller block cpl.	17
102-29001	Cover roller block	33
102-29002	Push button roller block	33
102-29100	Holder magnet cpl.	33
102-29200	Roller block left cpl.	33
102-29300	Roller block right cpl.	33
102-30100	Upper jaw 30mm cpl.	19
102-30200	Lower jaw 30mm cpl.	19
102-31000	Front cap cpl.	9
102-31001	Guide tail cutter	23
102-31002	Lever sensor closure	23
102-31003	Tail cutter	23
102-31004	Front cap	23
102-31005	Clamp lever front cap	23
102-31006	Lever switch	23
102-31007	Cover front cap	23
102-31008	Counter blade	23
102-32000	Lever 1 trigger cpl.	17
102-32001	Lever 1 trigger	31
102-32002	Shaft 1 lever trigger	31
102-32003	Plate right lever trigger	31
102-32004	Plate left lever trigger	31
102-32005	Shaft 2 lever trigger	31
102-33000	Trigger cpl.	17
102-33001	Trigger right	31
102-33002	Counter bearing lever trigger	31
102-33003	Stop trigger	31
102-33100	Trigger left cpl.	31
102-36000	Closure transport cpl.	13
102-36001	Upper closure channel	29
102-36002	Bearing left lever closure cutter	29
102-36003	Pressure pin clamp	29
102-36004	Bearing right lever closure cutter	29
102-36006	Locking left	29
102-36007	Locking right	29

UNS	Description	Page
102-36008	Clamp left	29
102-36009	Slide closure transport	29
102-36010	Clamp right	29
102-36011	Shaft clamp	29
102-36100	Lower closure channel cpl.	29
102-36200	Lever closure cutter cpl.	29
102-36202	Blade closure cutter	33
102-36203	Clamp closure cutter	33
102-36270	Lever closure cutter (mounted)	33
102-36300	Lever closure cpl.	29
102-37101	Stop lever deflector	7
102-37102	Lever deflector	7
102-37200	Bell crank deflector cpl.	7
102-37201	Bell crank deflector	21
102-38000	Housing left cpl.	15
102-38205	Cap release lever	3
102-39000	Shift rod lever switch cpl.	9
102-42000	Operating lever upper jaw cpl.	5
102-43000	Deflector right cpl.	7
102-43001	Deflector right	21
102-43002	Spacer deflector	21
102-43003	Cover deflector Right	21
102-44000	Counter bearing operating lever (Jaws) cpl.	5
102-44001	Counter bearing operating lever (Jaws)	21
102-47000	Shift rod lever closure cpl.	9
102-48000	Link closure transport cpl.	11
102-48004	Adjusting knob	25
102-48005	Shaft adjusting knob	25
102-48006	Clamp adjusting knob	25
102-48007	Cover adjusting knob	25
102-48012	Shaft bell crank free wheeling	25
102-48013	Bell crank free wheeling	25
102-48014	Counter bearing closure transport cpl.	25
102-48015	Lever eccentric	25
102-48016	Holder spring eccentric	25
102-48017	Spring eccentric	25
102-48018	Torsion spring bell crank	25
102-48019	Switch lever free wheeling	25
102-48100	Eccentric cpl.	25
102-48200	Cover gearbox SA	25
102-48300	Slide reset lever cpl.	25
102-48302	Slide reset lever	33
102-48303	Wedge slide reset lever	33
102-48370	Connector reset lever cpl.	33
102-49000	Tension adjustment cpl.	5
102-49009	Cover tension adjustment	5
102-50100	Upper jaw 50mm cpl.	3
102-50100	Upper jaw 50mm cpl.	19
102-50200	Lower jaw 50mm cpl.	3

HellermannTyton

Copyright © 2018 by HellermannTyton GmbH
Großer Moorweg 45, 25436 Tornesch
Telefon: 04122 / 701-1, Fax: 04122 / 701-400
E-Mail: info@HellermannTyton.de
Internet: www.HellermannTyton.de