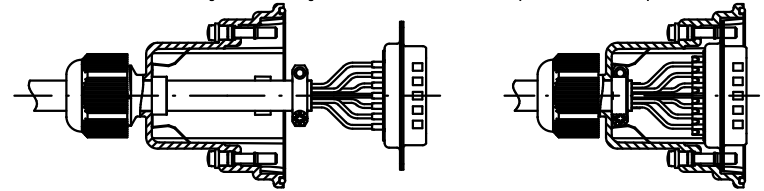
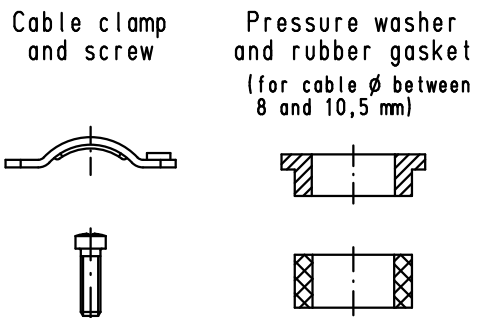
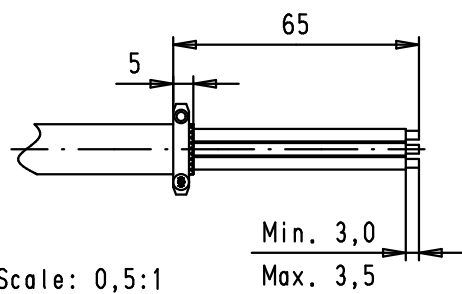


Mounting instructions:  
 -The peeled back cable braiding must not extend over the cable clamp, in order not to damage the gasket or to impair its performance



- Pull back cable until cable clamp snaps into shielding plate  
 - Snap connector into hood

Stripping dimensions:



-For rear mounted mating connectors, panel thickness is comprised between 1 and 2 mm for safe contact area  
 -Max. torques are 0,4 N.m

			Dot.	Name
			Detail.	29/08/08 PK
			Insp.	28/10/11 JB
EC03999	28/10/11	SD	Stand.	
35427	15/12/08	PK		
35280	29/08/08	PK		
Mod.	Dot.	Name	HARTING EURL F-95972 Paris	



D-Sub, metallized plastic hood, waterproof IP67, 37 poles, topcable entry with nut

Maßstab/Scale  
1:1

09 67 037 0539	M3
09 67 037 0538	4-40 UNC
Part number	Mounting screw thread

TB 09 67 037 053X  
Sub.

Blatt/ Page  
1/1