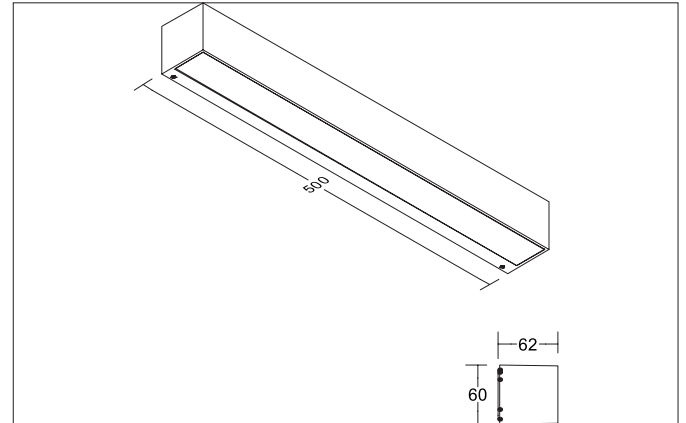
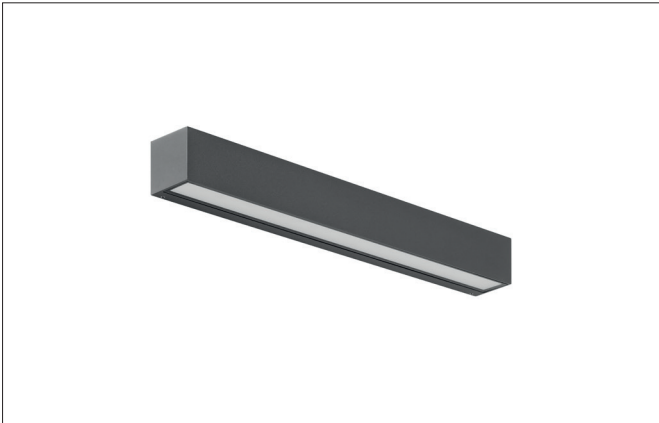


DARBEE LED wall surface mounted luminaire, IP65
Article no. 65254103

Light.
For Generations.



Tender

LED wall surface mounted luminaire, IP65, Rectangular. Ceiling cut-out Installation depth mm, Length 500 mm, Width 62 mm, Weight 11,000 kg, with rotationssymmetrical, deep, wide distributed light intensity. optimal light distribution due to a glass opal cover. Luminous flux 1.150 lm, Power 1 x 18 W, System Efficiency 64 lm/W, Light colour warm white to warm white, Correlated color temperature (CCT) 3.000 - 3.000 K, Colour rendering index CRI > 80, Housing material: Aluminium / Glass / Plastic, Colour: Graphite, Permissible ambient temperature (ta): -20 °C - +25 °C, Protection class (EN 61140): I, Degree of protection (DIN EN 60529): IP65, .With electronic driver, on/off switchable.

Article data	
Article no.	65254103
GTIN	4251433982647
Series name	DARBEE
Short description	LED wall surface mounted luminaire, IP65
Material	Aluminium / Glass / Plastic
Colour	Graphite
Shape	Rectangular
Length	500 mm
Width	62 mm
Hight	62 mm
Scope of delivery	inkl. Konverter zum Anschluss an 230 V-Netzspannung, schaltbar
Weight	11.000 kg

DARBEE LED wall surface mounted luminaire, IP65

Article no. 65254103

Light.
For Generations.

Lighting technology	
Colour temperature	3.000 K
Light colour	White
Light output	Direct
Luminous flux	1,150 lm
System efficiency	64 lm/W
McAdam-Step	McAdam-Step 6
Colour rendering	CRI > 80
Light sharing	Symmetric

Operating technology of the luminaire	
System output	18 W
Voltage type	AC
AC nominal voltage max	230 V
Frequenz max.	50 Hz
Frequenz min.	50 Hz
Lamp	LED
Protection class	I
Degree of protection	IP65
Control	on/off
Bulb change possible	The light source of this luminaire may only be replaced by the manufacturer or a service technician commissioned by him or a similarly qualified person.

Mounting technology	
Mounting method	Surface mounting
Place of installation	Wall-mounted
Adjustability	Not adjustable
Further references	Outdoor
Material cover	Glass opal
Suitable for through-wiring	Yes

Packing data	
Gross weight	12.5 kg
Length of packaging	530 mm
Packaging width	200 mm
Packaging height	200 mm
Disposal at end of life	This product must not be disposed of with household waste. You are obliged, to dispose of such electrical waste separately. By disposing of electrical waste and other old or defective electronics separately, you support recycling or other forms of re-use. In that way you help to take care and to avoid that harmful substances get into the environment.