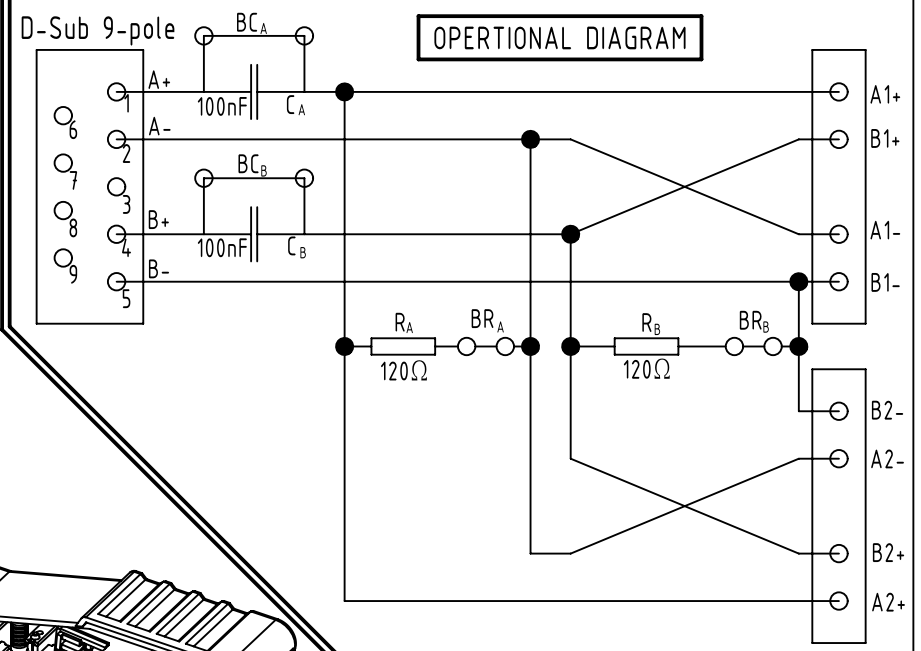
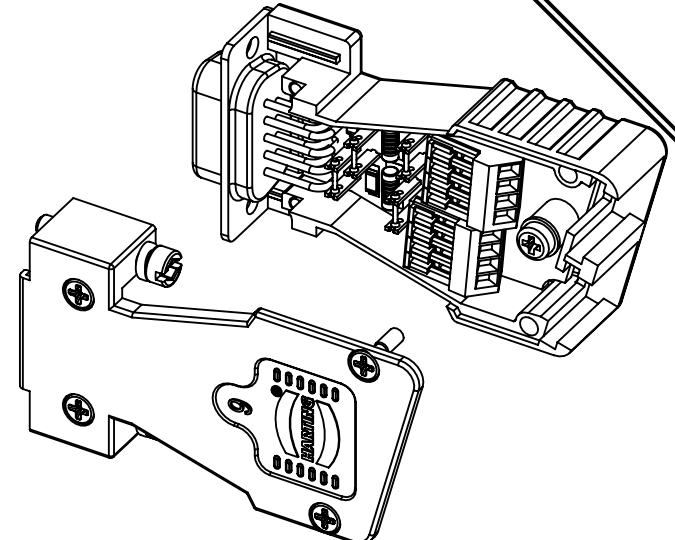
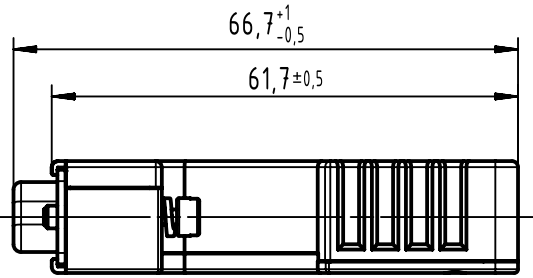
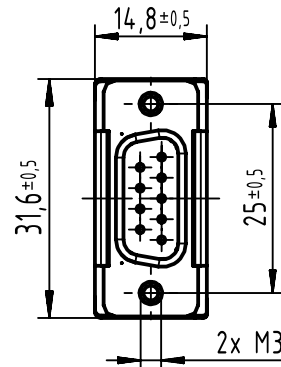
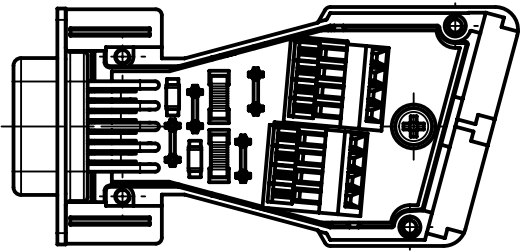


1 2 3 4 5 6

View without cover



In set inclusive:

Number	Description
2	Crimp flange 6,0-7,0
2	Crimp ferrule 9,5-10,5
1	Blanking piece 9-37
1	Label Line A, B, A+B

	All rights reserved Department EL PD	All Dimensions in mm Original Size DIN A4	Scale 1:1	Free size tol.		Ref.
		Created by ZHUANGJ	Inspected by LUOK	Standardisation ROEBEN	Date 2023-12-14	State Final Release
Title InduCom 9 male MVB/TBW M3		Type TB		Number 66630095034		Doc-Key / ECM-Nr. 100530847/UGD/001/E 500000259982
Part number		Performance level		Remark		Rev. E
66 63 009 5034 170		PL1		Plated hood		Page 1/1
66 63 009 5034 777		PL1		Small batch		
66 63 009 5034		PL1		Standard batch		
HARTING D-32339 Espelkamp						