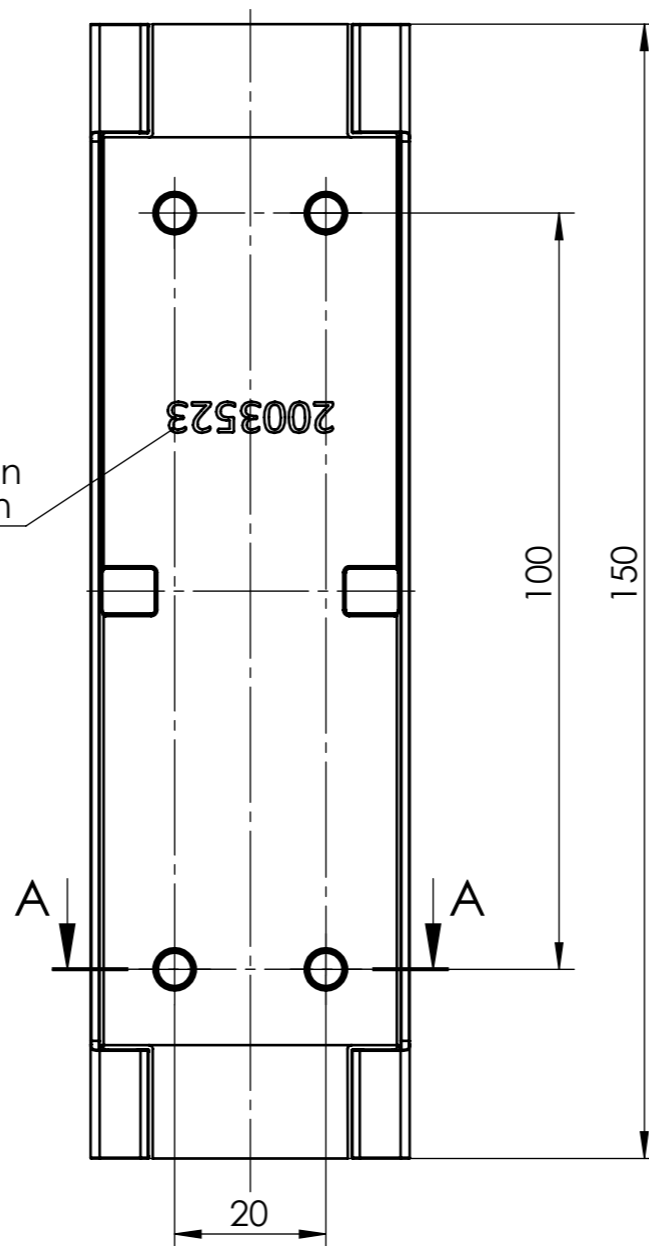


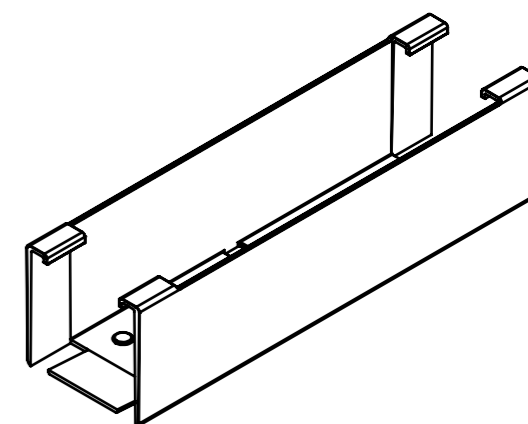
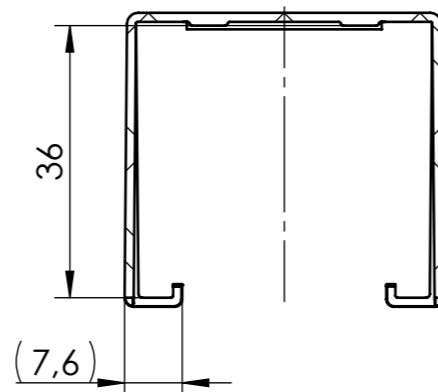
Stempel 0,3mm vertieft

Art.Nr 2003523 von Boden
0,3mm hoch

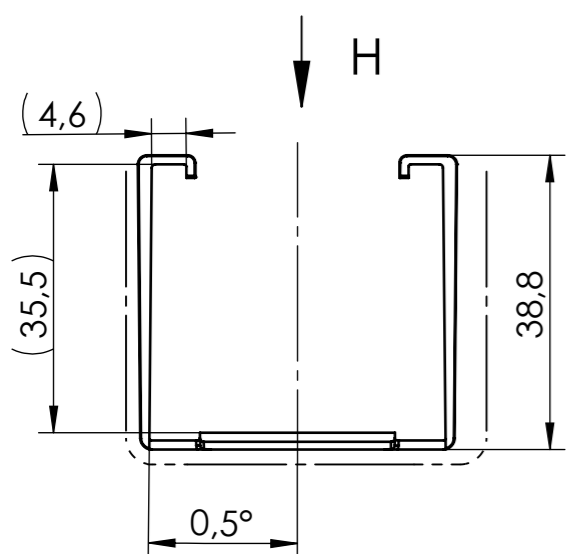
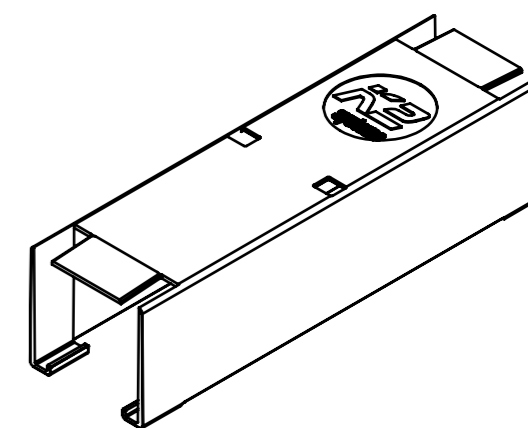
Ansicht H



Schnitt A-A



Isometrie
1:2



:Sichtbare Oberfläche



K2 Systems GmbH
Industriestr. 18
71272 Renningen
Germany
+49 7159 42059-0

| | | | |
|--------------|-------------|--|---|
| Designation: | | Data sheet Black Cover SingleRail 36 | |
| Item no.: | 2003523 | A3 | |
| Designed | E. Markou | 28.11.2022 | PA6 GK30 |
| Approved | K. Mahboobi | 27.03.2023 | Surface: Surface erodied VDI3400 Ref.No.:36 |
| Last change | | | Weight: ca. 26.1 g/pc Scale: 1:1 |
| Drawing no.: | | 04-059-00 | All dimensions in mm |
| | | | Sheet 1 of 1 |

This drawing is the sole property of K2 Systems GmbH. It is protected by copyright and may only be copied, reproduced or distributed to a third party with explicit permission!