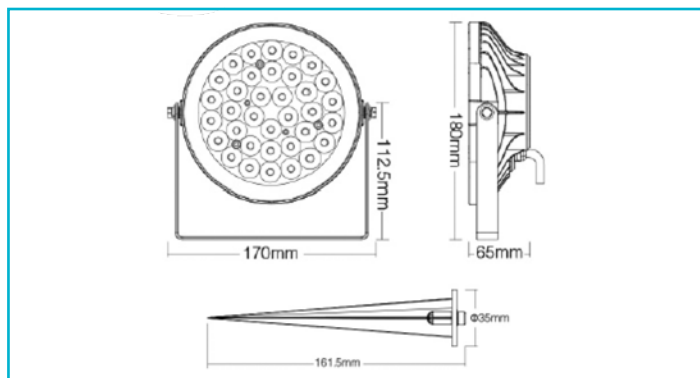


Art. no. 843521

Spotlight with ground spike RF-smart, Spot, 230V, 25W,
RGB+CCT, IP65

 **DEKOLIGHT**



Housing Material	Die-cast aluminium, Plastic
Housing Color	Anthracite
Protection Class	Protection class I/protective grounding
Rated Input	25 W
Rated Input Voltage Frequency	100-240 V/AC 50 / 60 Hz
Power Supply Unit incl.	Yes
Connection Type	Power plug IP44
Primary Cable Length	1.5 m
Number of Cable Entries	1
Dimmable	Yes
Control technology	RF-Smart, ZigBee 3.0
Motion Detector	No

Life Time L70 / B50	50000 h
Switching Cycles	100000
Power Consumption	25 kWh/1000h
Energy Efficiency Class	F

Light Source	LED, Light source not changeable
Colour Temperature	2700-6500 K
Colour Rendering Index (Ra)	80
Rated Luminous Flux	1700 lm
Rated Angle of Reflection	15 Degree

Swivel Angle	355 Degree
Light Exit Surfaces	1
Light characteristics	Direct
Light direction	Front

Length	170 mm
Width	65 mm
Height	180 mm

Working Temperature	-20 to 45 °C
Storage Temperature	-30 to 70 °C
IP Protection Class Lamp	IP 65
IP Protection Class Plug	IP 44