

## Panel mounting socket outlet, angled - lockable, flange 74x62

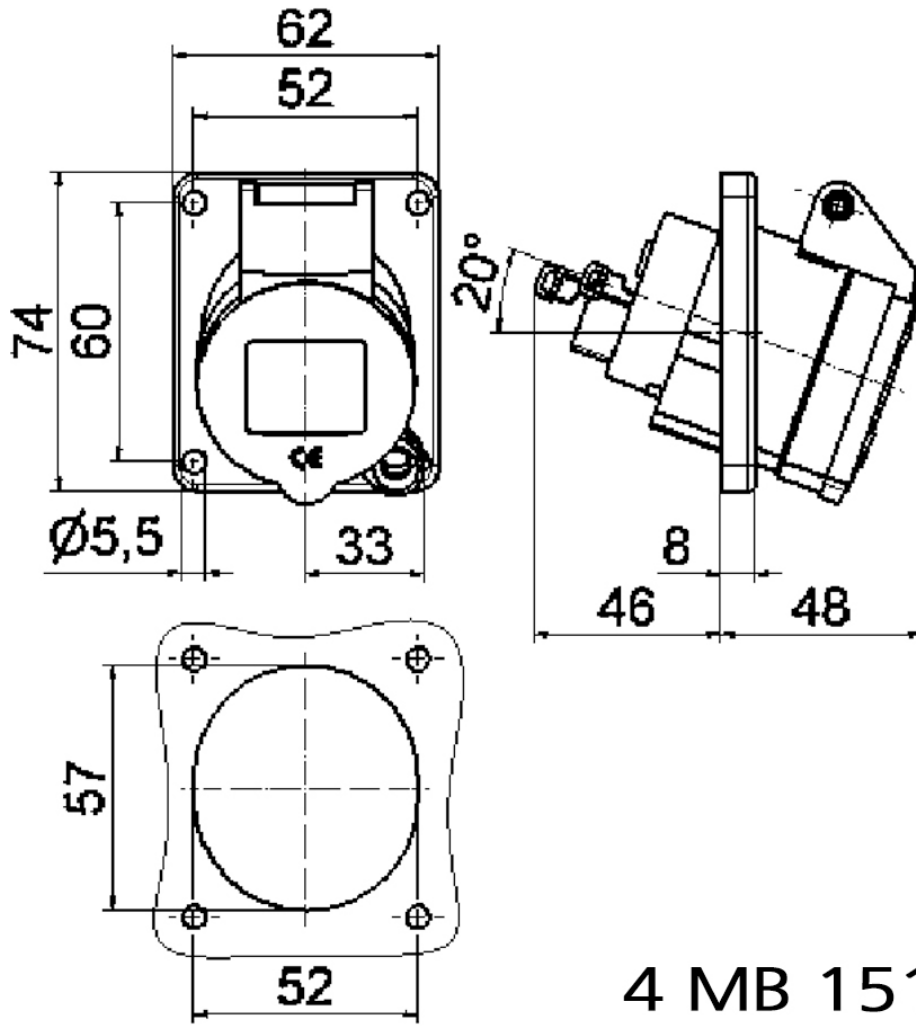


Product description	
BALS-Prd.-Nr	12990
EAN	4024941129909
Product category	Panel mounting socket outlet Quick-Connect, angled
Current	16A
Number of poles	3p
Poles	2P+PE
Position of earth contact	6 h
Voltage	200 up to 250V

Product description	
Frequency	50 and 60Hz
Protection degree	IP44
Colour code	blue RAL 5015
Colour of appliance	Hinged lid blue RAL 5015, Enclosure grey RAL 7035
Connection design	screwless spring terminals as cage clamp with Kontex-contact
Maximum conductor size	4,0 qmm
Cable entry	other
Height	77mm
Width	63mm
Depth	94mm
Flange size vertical	74mm
Flange size horizontal	62mm
Drill hole distance vertical	60mm
Drill hole distance horizontal	52mm
Material of enclosure	Polyamide
Contact	The contact carrier is made of polyamide, The contacts are brass

Additional technical properties	
	The inclination is 20°
	Lockable with padlock bow diameter 5 mm

Logistics data	
Weight/pcs	0.097 kg / Piece
Packaging	Bag
Content amount	1 ST
EAN	4024941129909
Length	94 mm
Width	63 mm
Height	77 mm
Weight	0.098 kg
Volume	455.994 ccm
Packaging	Carton
Content amount	10 ST
EAN	4024941821001
Length	207 mm
Width	162 mm
Height	142 mm
Weight	1.07 kg
Volume	3,750 ccm



**4 MB 151**