

## Phase inverter, as wall panel mounting appliance inlet - without closure cap

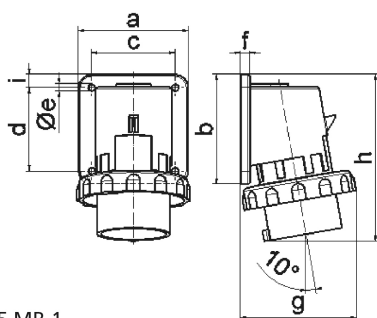


Product description	
BALS-Prd.-Nr	2608
EAN	4024941026086
Product category	Phase inverter as surface mounting appliance inlet
Current	32A
Number of poles	5p
Poles	3p+N+PE
Position of earth contact	6 h
Voltage	200/346 up to 240/415V

Product description	
Frequency	50 and 60Hz
Protection degree	IP67
Colour code	red RAL 3000
Colour of appliance	Collar red RAL 3000, Bayonet ring grey RAL 7035, Enclosure grey RAL 7035
Connection design	with screw terminal
Maximum conductor size	6,0 qmm
Cable entry	other
Height	139mm
Width	100mm
Depth	102mm
Flange size vertical	75mm
Flange size horizontal	90mm
Drill hole distance vertical	45mm
Drill hole distance horizontal	78mm
Material of enclosure	Polyamide
Contact	The contact carrier is made of polyamide, the contacts are brass nickel plated

Logistics data	
Weight/pcs	0.284 kg / Piece
Packaging	Bag
Content amount	1 ST

Logistics data	
EAN	4024941026086
Length	102 mm
Width	100 mm
Height	139 mm
Weight	0.285 kg
Volume	1,417.8 ccm
Packaging	Carton
Content amount	10 ST
EAN	4024941967716
Length	325 mm
Width	217 mm
Height	210 mm
Weight	3.046 kg
Volume	13,588.4 ccm



5 MB 1

Ampere	16	16	16	32	32	32
Polzahl	3	4	5	3	4	5
a	74,0	75,0	84,0	90,0	90,0	90,0
b	84,0	100,0	84,0	75,0	75,0	75,0
c	58,0	62,0	64,0	78,0	78,0	78,0
d	64,0	74,0	64,0	45,0	45,0	45,0
e ø	5,5	4,3	5,5	5,5	5,5	5,5
f	12,0	12,0	7,0	7,0	7,0	7,0
g	80,0	88,0	90,0	100,0	100,0	101,0
h	128,0	145,0	129,0	138,0	138,0	139,0
i	-	-	10,0	13,0	13,0	13,0
Leiter mm <sup>2</sup> min	1	1	1	2,5	2,5	2,5
Leiter mm <sup>2</sup> max	2,5	2,5	2,5	6	6	6