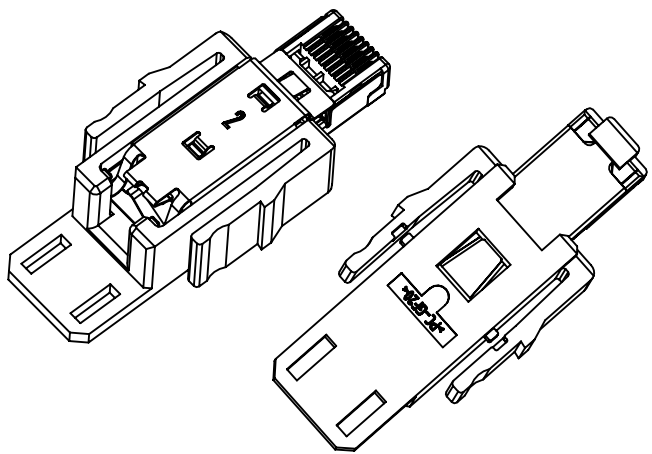

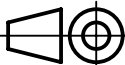


A and B reference planes according to IEC 60603-7



|  |                     |  |  |  |                        |                |  |  |                    |  |                        |      |  |  |
|--|---------------------|--|--|--|------------------------|----------------|--|--|--------------------|--|------------------------|------|--|--|
|   | All rights reserved |  | Created by<br>406403                           |  | Inspected by<br>PREUTU |                | Standardisation<br>ROEBEN                                |  | Date<br>2023-02-27 |  | State<br>Final Release |      |  |  |
|  | Department EL PD    |  | Title<br>Han-Modular RJ45 10G Cat6 plug 8p IDC |  | Number<br>09454001560  |                | Doc-Key / ECM-Nr.<br>100195001/UGD/001/D<br>500000238334 |  | Rev.<br>D          |  | Page<br>1/1            |      |  |  |
|  All Dimensions in mm<br>Original Size DIN A4 |                     |  | Scale<br>1:1                                   |  |                        | Free size tol. |  |  | Ref.               |  |                        | Sub. |  |  |
| HARTING<br>D-32339 Espelkamp   |                     |  | Type<br>TB                                     |  |                        |                |  |  |                    |  |                        |      |  |  |