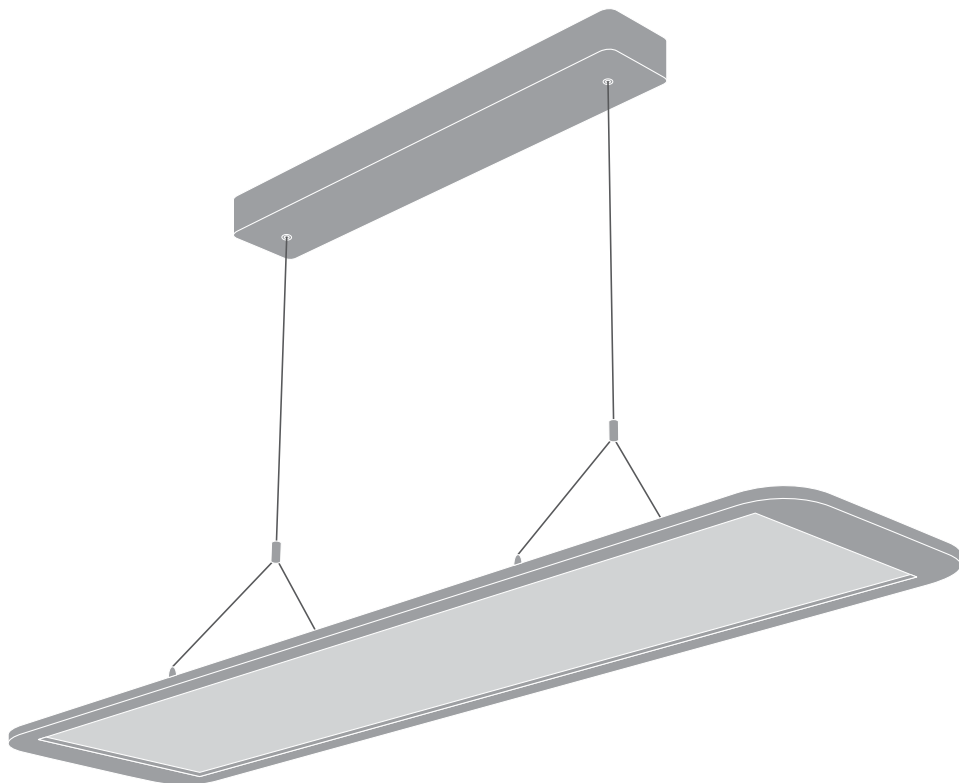
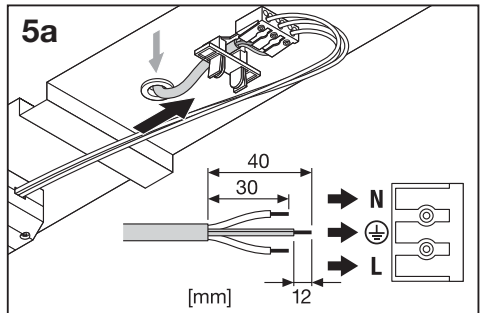
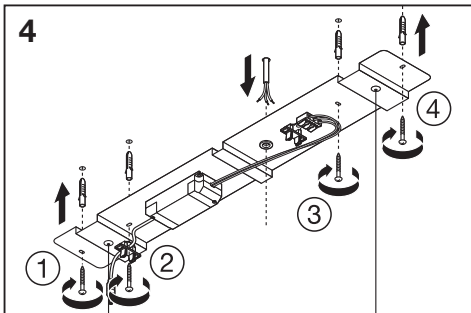
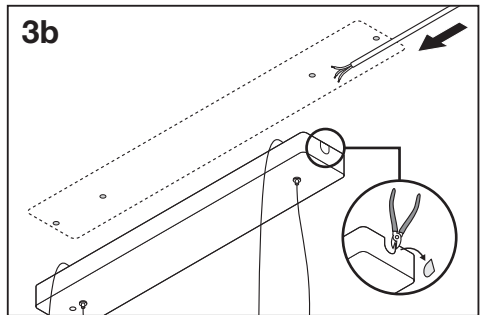
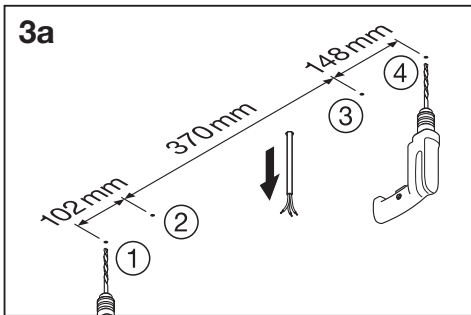
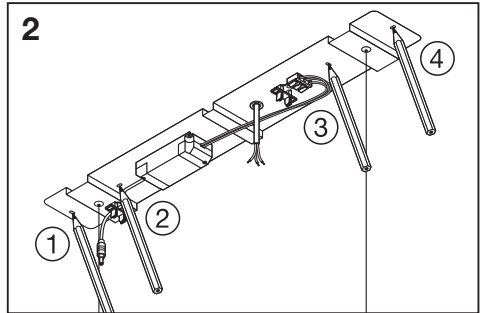
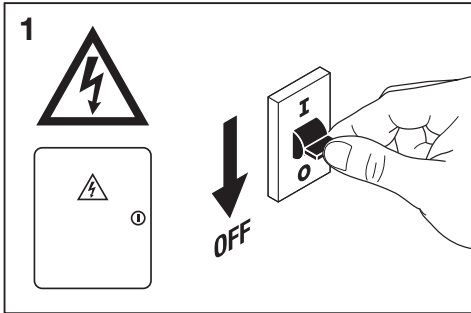
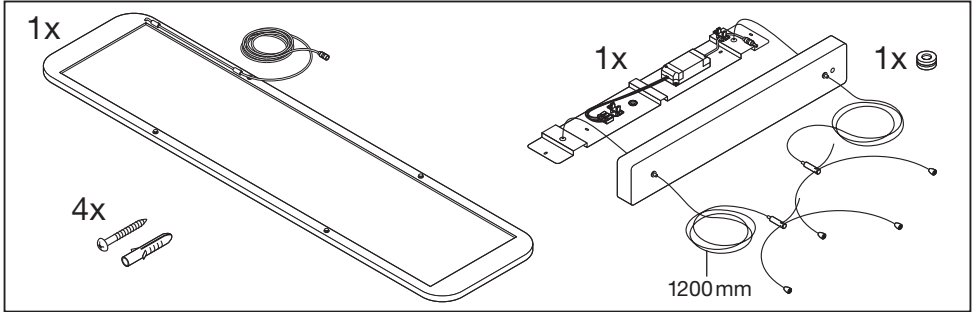


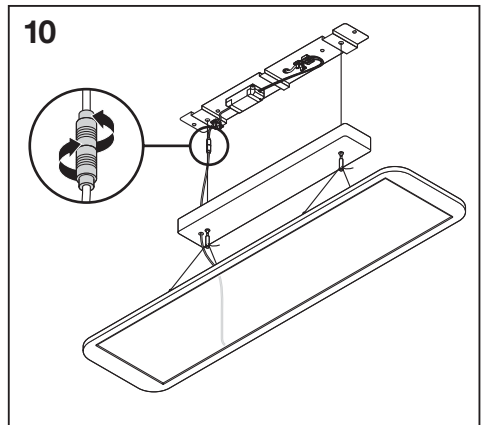
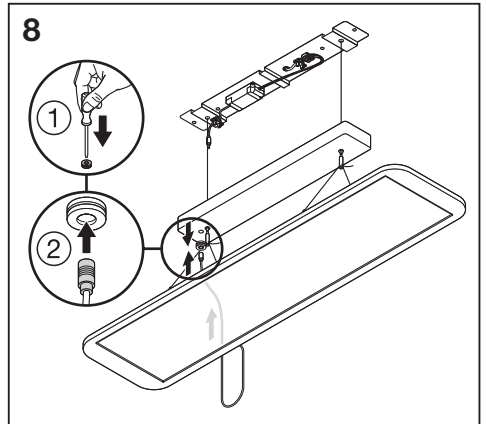
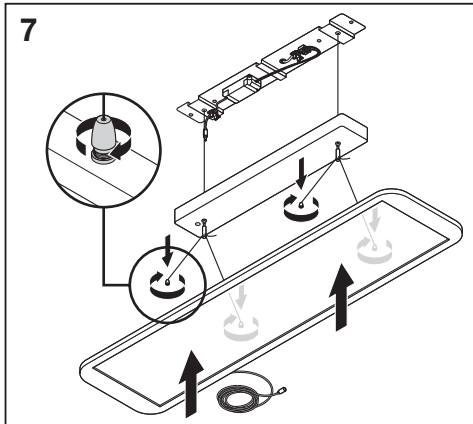
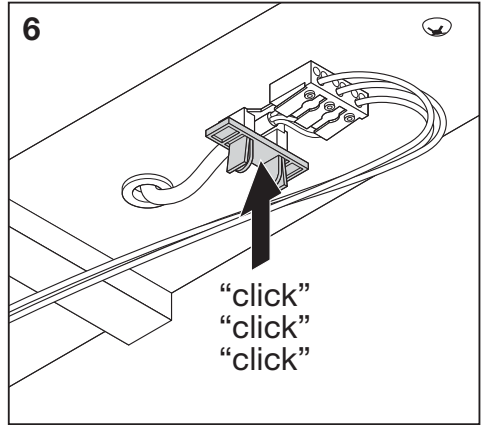
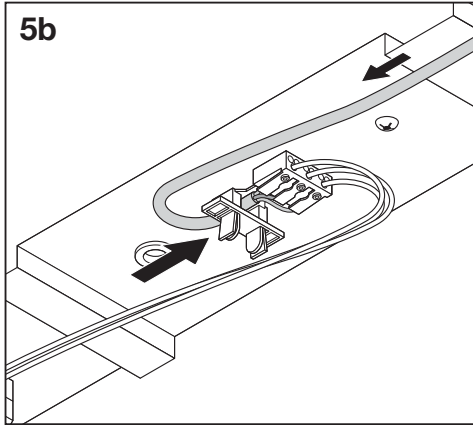
## PANEL DIRECT/INDIRECT 1200 UGR < 19

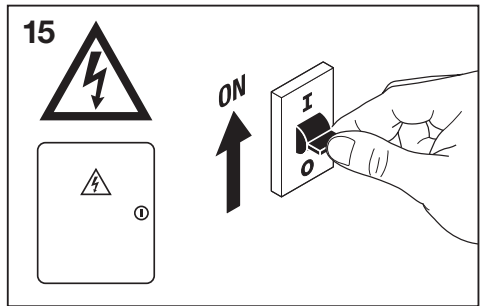
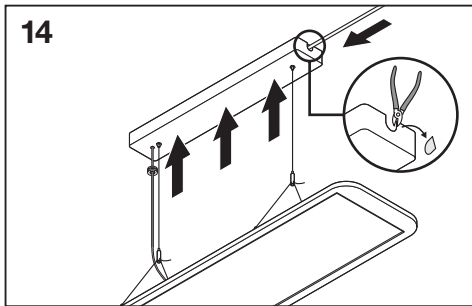
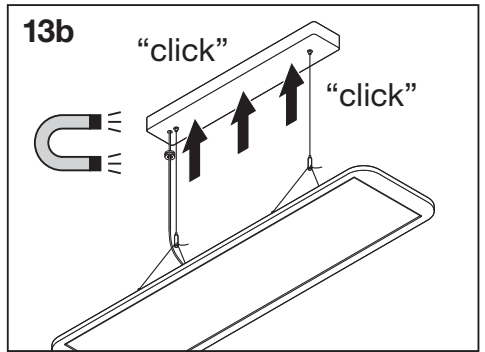
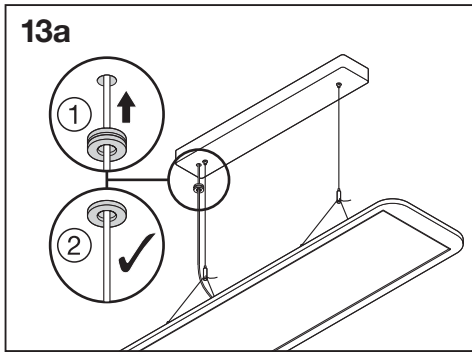
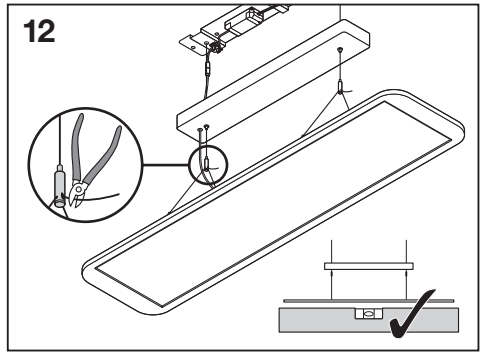
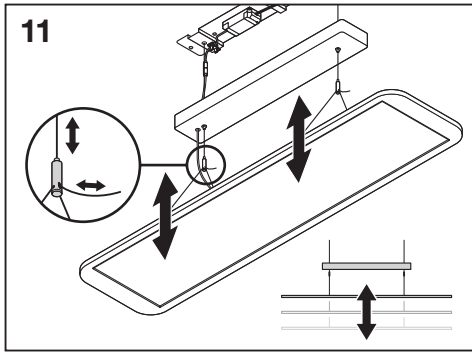


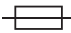


	EAN	l x w x h [mm]	W	lm	lm/W	K	IP	IK
<b>PANEL D/I 1200 36W/3000K UGR19</b>	4058075144606	1200x300x16	36	3800	105	3000	20	03
<b>PANEL D/I 1200 36W/4000K UGR19</b>	4058075144620	1200x300x16	36	4000	110	4000	20	03

	EAN	°C	V <sub>AC</sub>	Hz	∇	PF	R <sub>a</sub>	👤
<b>PANEL D/I 1200 36W/3000K UGR19</b>	4058075144606	-20...+45	220-240V	50/60 Hz	110°/110°	> 0.9	≥ 80	3.5 kg
<b>PANEL D/I 1200 36W/4000K UGR19</b>	4058075144620	-20...+45	220-240V	50/60 Hz	110°/110°	> 0.9	≥ 80	3.5 kg







C10A 	B16A 	C16A 
34	55	55





**ERC** **RoHS**



C10449057  
 G11088708  
 03.12.19



**LEDVANCE** GmbH  
 Steinerne Furt 62  
 86167 Augsburg, Germany  
[www.ledvance.com](http://www.ledvance.com)