

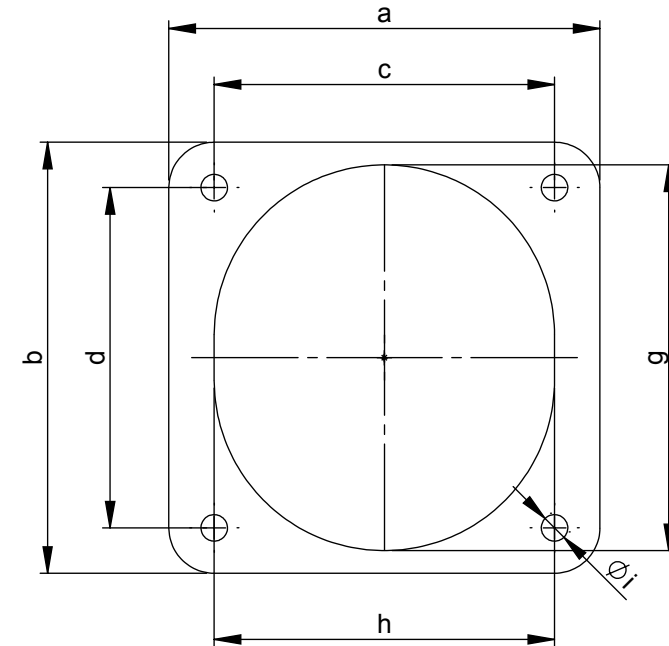
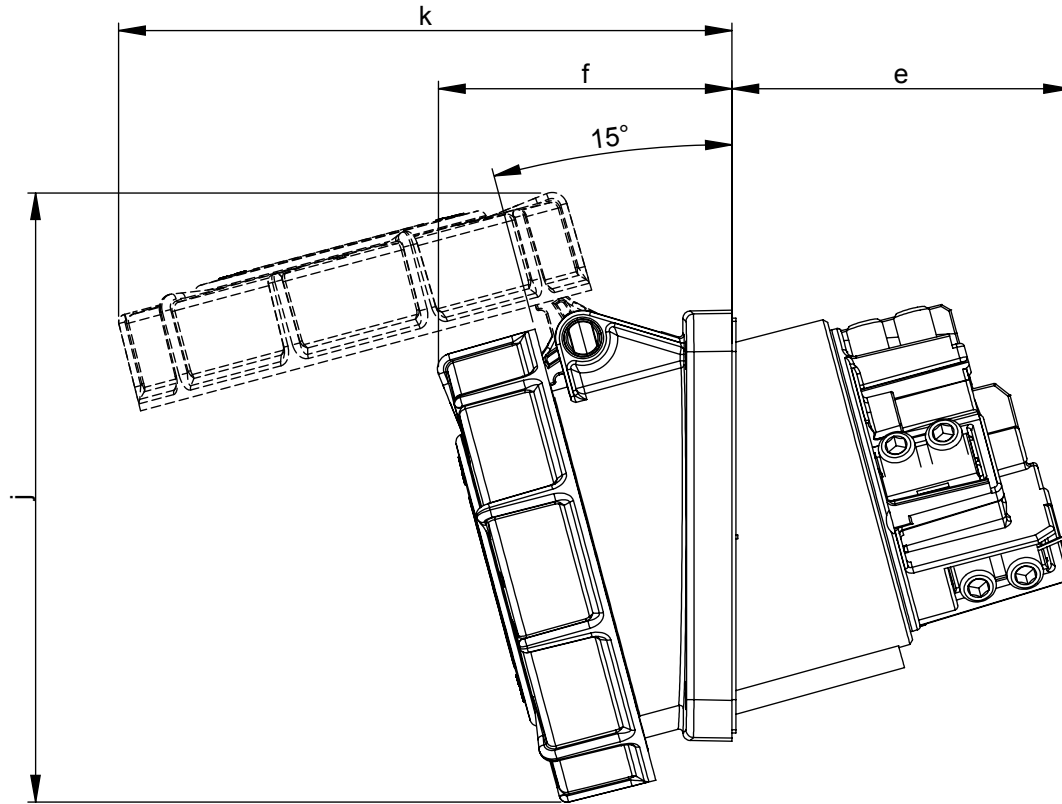
Maßskizze / dimensional drawing

Benennung: Anbausteckdose schräg 125A IP66/67 114x114 POWERTWIST

description: Flanged socket sloping 125A IP66/67 114x114 POWERTWIST

Teilenummer / part number: 443-*fe, 444-*fe, 445-*fe

PCE



Ampere	125		
Pole	3	4	5
a [mm]	114	114	114
b [mm]	114	114	114
c [mm]	90	90	90
d [mm]	90	90	90
e [mm]	92	92	92
f [mm]	77	77	77
g [mm]	102	102	102
h [mm]	90	90	90
i [mm]	7	7	7
j [mm]	160	160	160
k [mm]	162	162	162