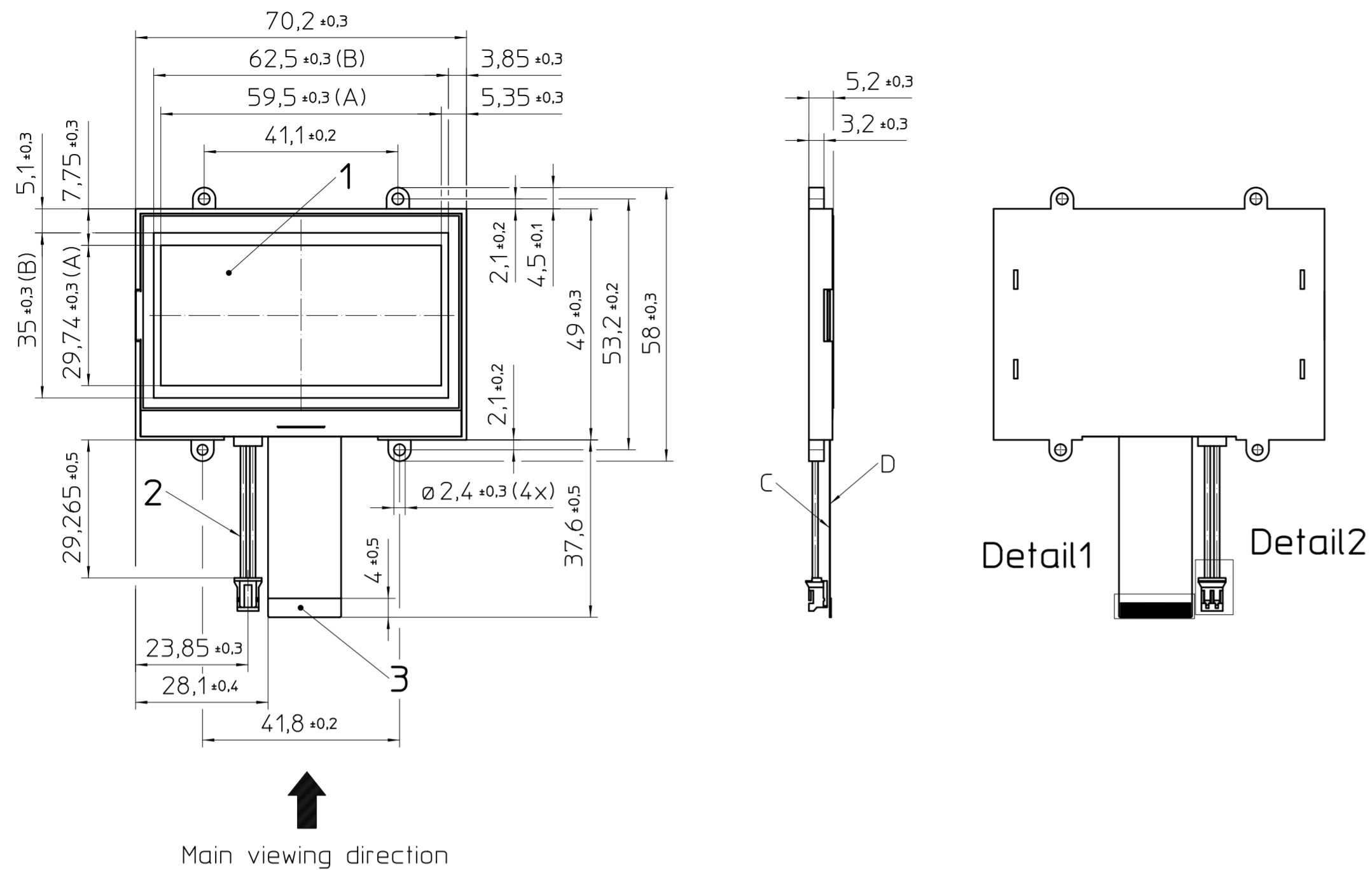


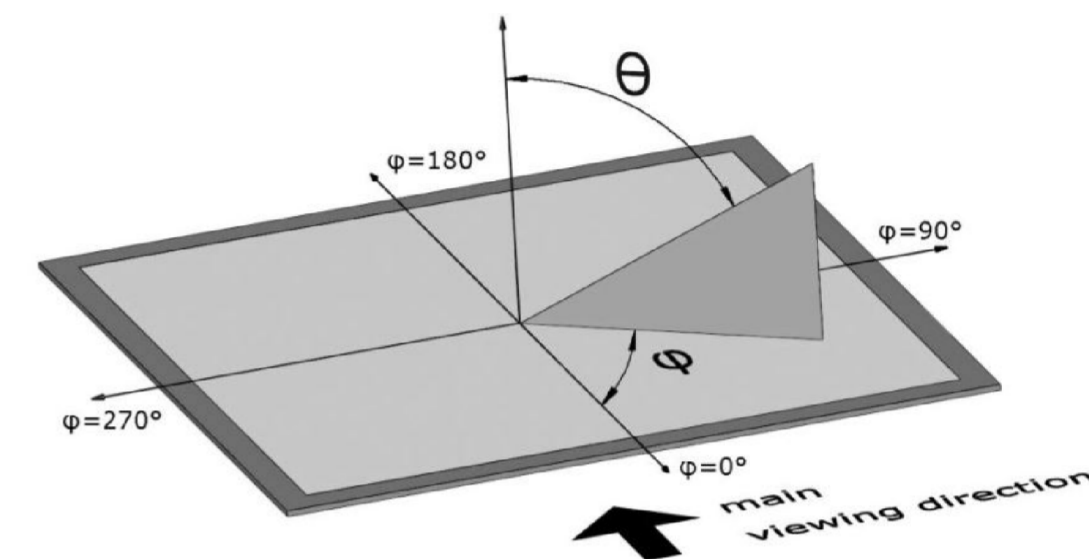
Transfer or duplication of this document as well as the utilisation or communication of its content are not permitted unless express consent is granted. Violations give rise to claims for damages. All rights reserved in case of patent, utility model or design patent registrations.

Weitergabe sowie Vervielfältigung dieses Dokuments, Verwertung und Mitteilung seines Inhalts sind verboten, soweit nicht ausdrücklich gestattet. Zuwiderhandlungen verpflichten zu Schadensersatz. Alle Rechte für den Fall der Patent-, Gebrauchsmuster- oder Designeintragung vorbehalten.

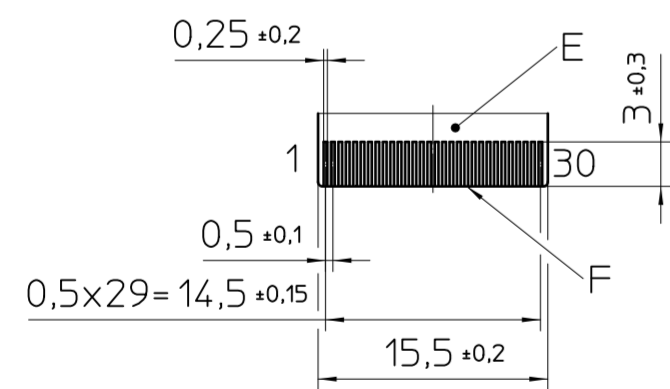


### Optical characteristics

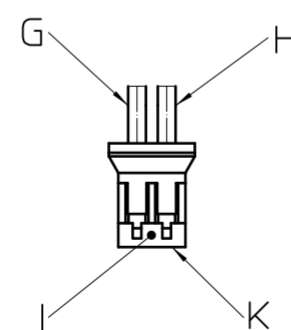
Viewing angle	Symbol	Condition	Minimum	Typical
	$\theta$	$\theta(\Phi=0^\circ)$	--	40°
		$\theta(\Phi=90^\circ)$	--	30°
		$\theta(\Phi=180^\circ)$	--	10°
		$\theta(\Phi=270^\circ)$	--	30°



Detail1  
2:1



Detail2  
2:1



#### General Information:

- Simplified representation
- Document excluded from change process
- Linear dimensions [mm]
- Web: [www.phoenixcontact.com](http://www.phoenixcontact.com) webcode: #0855

#### Additional Information:

- A. Active area
- B. Visible area
- C. Contact side
- D. Stiffener side
- E. Film Cable for FPC connector with 30 Pins and a pitch of 0,5mm
- F. Contact surface: Au
- G. Kathode
- H. Anode
- I. Connector for JST S2B-PH-K-S pin header with 2 pins and a pitch of 2,0mm
- K. Contact surface: Sn

D L 2,8 64X 8		
Pos.	QTY	Description
1	1	DISPLAY
2	1	POWER CABLE
3	1	FILM CABLE

DIN A2	document-No. / RI 01022489 / 01	date 26.03.2021	scale 1:1
	ident.-No. 2203543	document-type TECDOC 2D_Productdrawing	
page 1 of 1	description D L 2,8 64X 8		