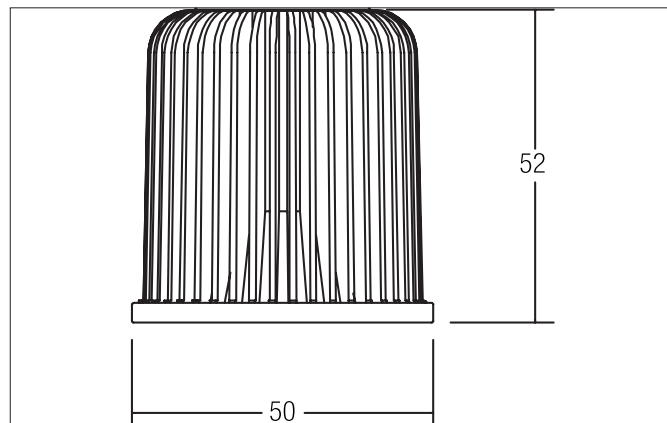



LED reflector insert MR16, 8 W, TunableWhite, 24 V DC

Article no. 12845604


Tender

LED reflector insert MR16, 8 W, TunableWhite, 24 V DC, black / aluminum matt, Round. Luminous flux: 550 lm at 2700 K, 659 lm at 7500 K., Material: Aluminium / Plastic, Degree of protection: according to DIN EN 60529 IP20, Protection class: (EN 61140) III, Voltage: 24 V, Power: 8 W, Amount of light sources / fittings: 1 piece, Luminous flux: from 550 lm up to 659 lm, Colour temperature: from 2.700 K up to 6.500 K, Light colour: white, Beam angle: 60°, Type of dimming: Depending on driver.

Article data	
Article no.	12845604
GTIN	4255752528296
Short description	LED reflector insert MR16, 8 W, TunableWhite, 24 V DC
Material	Aluminium / Plastic
Colour	black / aluminum matt
Shape	Round
Outer diameter	50 mm
Height	52 mm
Weight	0.097 kg
Conformance	CE, UKCA


LED reflector insert MR16, 8 W, TunableWhite, 24 V DC

Article no. 12845604

Lighting technology	
Colour temperature	2.700 K - 6.500 K
Light colour	white
Color Temperature 1	2,700 K
Color Temperature 2	6,500 K
Luminous flux	550 - 659 lm
Luminous flux 1	550 lm
Luminous flux 2	659 lm
Colour rendering	CRI > 90
Reflector	hochglänzend / facettiert
Beam angle	60°
Light sharing	Symmetric

Packing data	
Gross weight	0.122 kg
Length of packaging	60 mm
Packaging width	60 mm
Packaging height	60 mm
Disposal at end of life	<p>This product must not be disposed of with household waste. You are obliged, to dispose of such electrical waste separately.</p> <p>By disposing of electrical waste and other old or defective electronics separately, you support recycling or other forms of re-use. In that way you help to take care and to avoid that harmful substances get into the environment.</p>

Required accessories	
Article no.: 17290000	LED power supply 24 V DC, 4 channel, DALI-2 / DALI-DT8 dimmable
Power: 1 - 100 W	
Dimensions: 244 mm x 64 mm x 32 mm	
	https://www.brumberg.com/fileadmin/products/Datenblatt_17290000_2021_DE.pdf
Article no.: 17291000	LED power supply 24 V DC, 4 channel, DALI-2 / DALI-DT8 dimmable
Power: 1 - 200 W	
Dimensions: 330 mm x 79 mm x 39 mm	
	https://www.brumberg.com/fileadmin/products/Datenblatt_17291000_2021_DE.pdf