

Wall mounting socket outlet, chemically resistant - housing dimensions 170x90



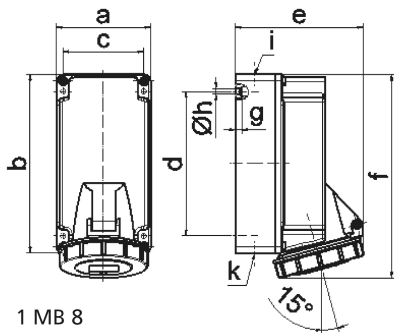
Product description	
BALS-Prd.-Nr	11455
EAN	4024941114554
product category (PG)	TE wall mounting socket outlet Quick-Connect
current (A)	16A
number of poles (P99)	5p
number of poles (P)	3p+N+PE
position of earth contact (H)	6 h
voltage (V)	200/346 up to 240/415V

Product description	
frequency (HZ)	50 and 60Hz
protection degree (SA)	IP67
colour code 1 (KF1)	red RAL 3000
Colour of appliance	Bayonet ring lightbeige, Housing top lightbeige, Hinged lid red RAL 3000, Housing bottom lightbeige
connection design (AT)	screwless spring terminals as cage clamp with Kontex-contact
maximum conductor size (LQ)	4,0 qmm
cable entry (KE)	top entry M20 bottom entry M25/20
Height	195mm
Width	90mm
Depth	123mm
dimension of enclosure (GG)	170x90 mm (HxW)
material of enclosure (GM)	Polycarbonate+Polyester light - beige
contact	The contact carrier is made of high temperature resistant material, the contacts are brass nickel plated

Additional technical properties	
	The cable entry is one at top open and two at bottom closed
	Lower part of housing rotatable by 180°

Logistics data	
Weight/pcs	0.47 kg / Piece

Logistics data	
Packaging	Carton
Content amount	1 ST
EAN	4024941114554
Length	205 mm
Width	102 mm
Height	134 mm
Weight	0.53 kg
Volume	2,118.48 ccm



1 MB 8

Ampere	16	16	16			
Polzahl	3	4	5			
a	90,0	90,0	90,0			
b	170,0	170,0	170,0			
c	77,0	77,0	77,0			
d	137,5	137,5	137,5			
e	108,0	115,0	122,0			
f	191,5	191,5	195,0			
g	6,5	6,5	6,5			
h \varnothing	5,5	5,5	5,5			
i	M20	M20	M20			
k	M20/25	M20/25	M20/25			
Leiter mm ² min	1,5	1,5	1,5			
Leiter mm ² max	4	4	4			