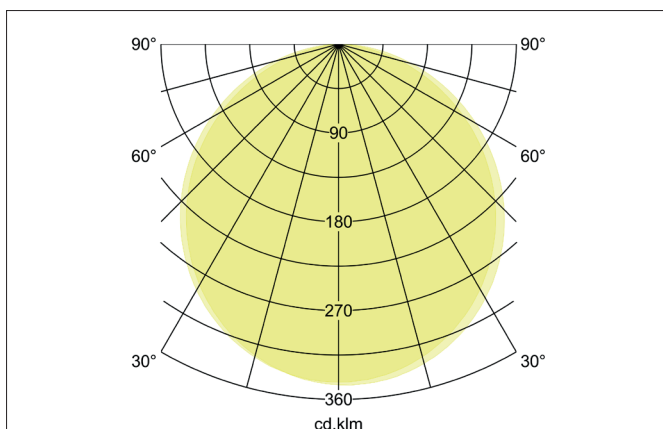
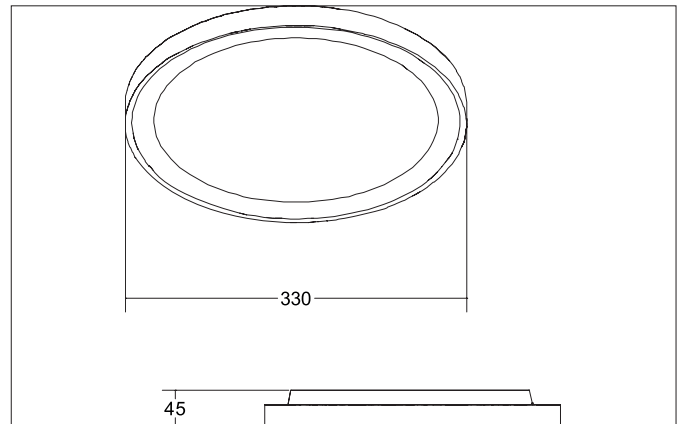


SUNNY MINI LED ceiling surface-mounted downlight, trailing-edge**phase dimmable**

Article no. 12208073

Light.

For Generations.

**Tender**

LED ceiling surface-mounted downlight, trailing-edge phase dimmable, Round. Ceiling cut-out Installation depth mm, Outer diameter 330 mm, Weight 1,420 kg, with rotationssymmetrical, deep, wide distributed light intensity. optimal light distribution due to a plastic, opal cover. Luminous flux 2.700 lm, UGR < 26, Power 1 x 30 W, Light colour warm white to daylight white, Correlated color temperature (CCT) 3.000 - 6.000 K, Colour rendering index CRI > 80, Rated life time L70/B50 at 25 °C: 50.000 h, Housing material: Aluminium / Steel / Polystyrene, Colour: White, Permissible ambient temperature (ta): -20 °C - +25 °C, Protection class (EN 61140): I, Degree of protection (DIN EN 60529): IP20, shock resistance according to IEC62262: IK04 .With electronic driver, Trailing-edge phase dimmable.

Article data	
Article no.	12208073
GTIN	4251433930433
Series name	SUNNY MINI
Short description	LED ceiling surface-mounted downlight, trailing-edge phase dimmable
Material	Aluminium / Steel / Polystyrene
Colour	White
Type of surface	Matt
Shape	Round
Outer diameter	330 mm
Height	45 mm
Scope of delivery	incl. converter for connection to 230 V mains voltage, dimmable and incl. adjustable color temperature to 3000 K, 4000 K or 6000 K (switching on the housing or via wall-mounted switch via bottom switch function). Optional accessories: Color ring set for the indirect part in the colors red, blue and amber, as well as a pendulum set 1,500 mm.
Weight	1.420 kg

SUNNY MINI LED ceiling surface-mounted downlight, trailing-edge**phase dimmable**

Article no. 12208073

Light.
For Generations.

Lighting technology	
Colour temperature	3.000 K / 4.000 K / 6.000 K
Light colour	White
Farbtemperatur 1	3,000 K
Farbtemperatur 2	4,000 K
Farbtemperatur 3	6,000 K
Light output	Direct/Indirect
Luminous flux	2,700 lm
Lichtstrom 1	2,700 lm
System efficiency	90 lm/W
Colour rendering	CRI > 80
Reflector	Without
Beam angle	110°
Glare evaluation	UGR < 26
Light sharing	Symmetric
Adjustable color temperature	Stages

Operating technology of the luminaire	
System output	30 W
Voltage type	AC
AC nominal voltage max	230 V
Frequenz max.	50 Hz
Lamp	LED
Lamp holder	Without fitting
Protection class	I
Degree of protection	IP20
Dimmable	Yes
Control	Trailing-edge phase
Bulb change possible	The light source of this luminaire may only be replaced by the manufacturer or a service technician commissioned by him or a similarly qualified person.
Rated life time L70/B50 at 25 °C	50,000 h

Mounting technology	
Mounting method	Surface mounting
Place of installation	Ceiling-mounted
Adjustability	Not adjustable
Impact resistance	IK04
Material cover	Plastic, opal

Packing data	
Gross weight	1.661 kg
Length of packaging	365 mm
Packaging width	360 mm
Packaging height	55 mm
Disposal at end of life	This product must not be disposed of with household waste. You are obliged, to dispose of such electrical waste separately. By disposing of electrical waste and other old or defective electronics separately, you support recycling or other forms of re-use. In that way you help to take care and to avoid that harmful substances get into the environment.

SUNNY MINI LED ceiling surface-mounted downlight, trailing-edge

phase dimmable

Article no. 12208073

Light.
For Generations.

Accessories	
	Article no.: 8 1020806 Color ring set for SUNNY surface-mounted luminaire 12208073
	Article no.: 8 1020808 Color ring set for SUNNY surface-mounted luminaire 12208073
	Article no.: 8 1020809 Color ring set for SUNNY surface-mounted luminaire 12208073
	Article no.: 8 1018070 Pendant set for surface-mounted downlight 12208073 / 12209073 Dimensions: 150 mm x 26 mm
	Article no.: 8 1018080 Pendant set for surface-mounted downlight 12208073 / 12209073 Dimensions: 150 mm x 26 mm