

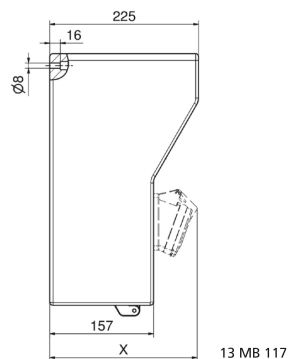
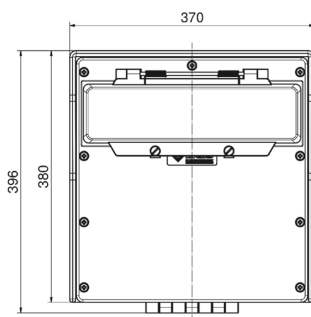
Surface-mounting distributor, rubber - Distributor, solid rubber, wall mounting



| Product description | |
|---------------------|---|
| BALS-Prd.-Nr | 5402049 |
| EAN | 4024941948685 |
| Product category | Distributor, solid rubber, wall mounting |
| Protection degree | IP44 |
| Colour of appliance | Housing bottom similar black RAL 9017, Housing top similar black RAL 9017 |
| Height | 380mm |
| Width | 370mm |
| Depth | 225mm |

| Product description | |
|---------------------|------|
| RDF factor | 0.59 |
| Nominal current InA | 63 |

| Logistics data | |
|----------------|------------------|
| Weight/pcs | 14.15 kg / Piece |
| Packaging | Carton |
| Content amount | 1 ST |
| EAN | 4024941948685 |
| Length | 800 mm |
| Width | 600 mm |
| Height | 340 mm |
| Weight | 15.5 kg |
| Volume | 163,200 ccm |


Tiefenmaß/ depth X (mm)

| Bezeichnung/ with | IP44 | IP67 |
|------------------------------------|------|------|
| Schutzk. Steckdose/domestic socket | 172 | 215 |
| CEE 16A 3p | 210 | 210 |
| CEE 16A 4p | 214 | 212 |
| CEE 16A 5p | 217 | 215 |
| CEE 32A 3p/4p | 221 | 223 |
| CEE 32A 5p | 223 | 224 |
| CEE 63A 3p/4p/5p | 239 | 241 |