

Produktdatenblatt

Art. Nr. 96.053.6053.9

Geräteanschluss RST20i5 B1 M90 BL0

 RST20i5 Geräteanschluss (90° gewinkelt) M20, 5-polig,
 Buchsenteil in Schraubtechnik, modular, Anwendung 250/400V,
 20A, Kodierfarbe lichtblau, Gehäusefarbe schwarz


Art. Nr.	96.053.6053.9
EAN	4015573983755
Bestelleinheit	100 Stück

Zulassungen
Technische Daten
Hinweis

Hinweis	Die Schraubklemmenanschlüsse aller RST® sind zum Anschluss von unvorbereiteten Leitern (ohne Aderendhülse) nach EN 60999-1 geeignet. Lagefixierung durch Abflachung am Gewinde
---------	--

Allgemein

Bemessungsstrom	20 A
Bemessungsspannung	250 V / 400 V
Verschmutzungsgrad	3
Bemessungsstoßspannung	4 kV
Verriegelbar	selbstverriegelnd (mit Werkzeug lösbar)
Codierfarbe / Kontakteinsatz	lichtblau
Polkennzeichnung	1, 2, 3, 4, 5
Farbe des separaten Adapterstücks (falls vorhanden)	schwarz

Anschlussdaten

Anschlussquerschnitt eindrätig mm ² max.	4 mm ²
Anschlussquerschnitt eindrätig mm ² min.	0,75 mm ²
Anschlussquerschnitt feindrätig mm ² max.	4 mm ²
Anschlussquerschnitt feindrätig mm ² min.	0,75 mm ²
Anschlüsse pro Pol	1
Abisolierlänge	8 mm

Ausführung

Ausführung	Buchse
Anschlussart	Schraubanschluss
Anschluss Gewinde	M20
Steckrichtung	rechtwinklig
Neigungswinkel	90 °
Schutzart (IP)	IP66/68 (3m;2h) /IP69
Gehäusewandstärke 2 (min.)	0,5 mm
Gehäusewandstärke (max.)	8 mm

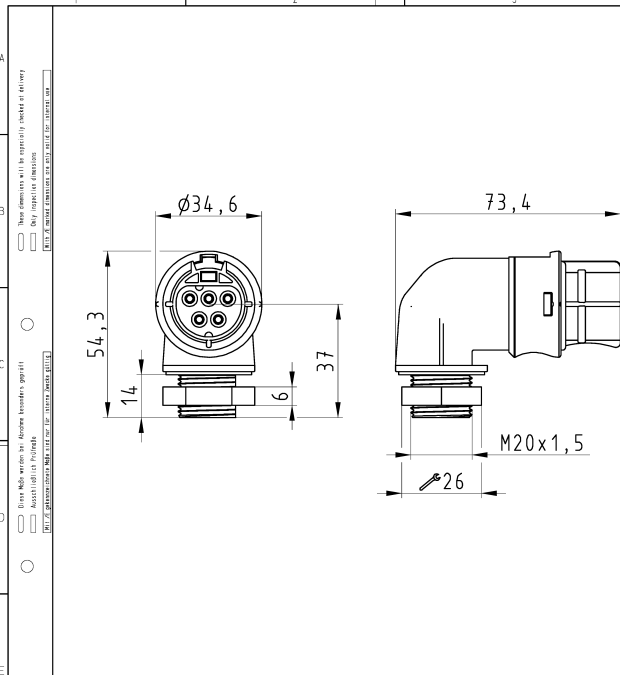
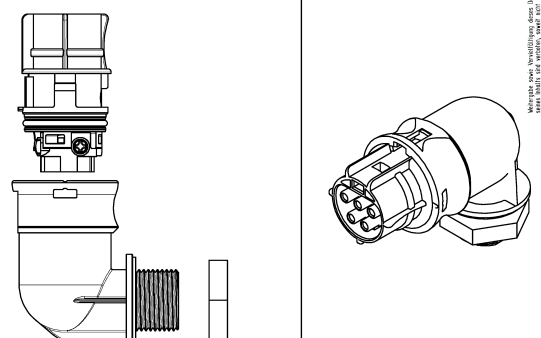
Werkstoff

Werkstoff des Gehäuses	Polyamid
Halogenfrei	ja
Kontaktmaterial	CuZn
Brandlast	0,24 kWh
Isolierteil Dauertemperaturbeständigkeit	100 °C
Oberflächenbehandlung	versilbert

Abmessungen

Länge	73,4 mm
Breite	34,6 mm
Höhe	54,3 mm

Technische Zeichnung

 <p style="font-size: small;">These dimensions are for opening dimension of delivery. Diese Abmessungen sind für die Öffnungsdimension der Lieferung. These dimensions are for opening dimension of delivery. Diese Abmessungen sind für die Öffnungsdimension der Lieferung.</p>	<p style="text-align: center;">Auslieferungszustand delivery status</p>  <p style="text-align: center;">Verpackungseinheit: je 100 Stück packaging unit: per 100</p>																																	
<p>Offnungsmassbild siehe 96.031.2053.1 14K opening dimension see 96.031.2053.1 14K</p>	<table border="1" style="width: 100%; border-collapse: collapse; font-size: x-small;"> <tr> <td>96.053.6053.9</td> <td>RS12015S B1 M90 BL07</td> <td>lichtblau / lightblue</td> </tr> <tr> <td>Bestellnummer / Order number</td> <td>Typ / Type</td> <td>Farbe / Color</td> </tr> <tr> <td colspan="3" style="text-align: center;">Weitere Daten siehe KATALOG oder eCatalog. www.wieland-electric.com Additional data see CATALOG or eCatalog. eshop.wieland-electric.com</td> </tr> <tr> <td colspan="3"> <small>Tolerierung Size ISO 11468 / Tolerance system Size ISO 11468 / Tolerances and deviations in accordance with DIN 52010 list of standards. (This ISO-standard describes the envelope principle. According to the envelope principle the deviations of form and position are limited by the size tolerances.) Tolerances must be declared in accordance with the envelope principle. According to the envelope principle the deviations of form and position are limited by the size tolerances. (This ISO-standard describes the envelope principle. According to the envelope principle the deviations of form and position are limited by the size tolerances.) Tolerances must be declared in accordance with the envelope principle. According to the envelope principle the deviations of form and position are limited by the size tolerances. (This ISO-standard describes the envelope principle. According to the envelope principle the deviations of form and position are limited by the size tolerances.)</small> </td> </tr> <tr> <td>General tolerance</td> <td>ISO - drawing, no manual modifications allowed</td> <td>First Use: -</td> </tr> <tr> <td>Material</td> <td>2015</td> <td>Tag/Date</td> </tr> <tr> <td>Material</td> <td>07.09.</td> <td>Höfmann</td> </tr> <tr> <td>Scale</td> <td>1:1</td> <td>Sheet: 1 of 1</td> </tr> <tr> <td>Vol.</td> <td>nr 011 / Ser 1</td> <td>Ersatz für/Replacement for: -</td> </tr> <tr> <td>Index</td> <td>www.wieland-electric.com</td> <td>Type</td> </tr> <tr> <td>Änderung/Revision</td> <td>www.wieland-electric.com</td> <td>Benennung/Title</td> </tr> </table>	96.053.6053.9	RS12015S B1 M90 BL07	lichtblau / lightblue	Bestellnummer / Order number	Typ / Type	Farbe / Color	Weitere Daten siehe KATALOG oder eCatalog. www.wieland-electric.com Additional data see CATALOG or eCatalog. eshop.wieland-electric.com			<small>Tolerierung Size ISO 11468 / Tolerance system Size ISO 11468 / Tolerances and deviations in accordance with DIN 52010 list of standards. (This ISO-standard describes the envelope principle. According to the envelope principle the deviations of form and position are limited by the size tolerances.) Tolerances must be declared in accordance with the envelope principle. According to the envelope principle the deviations of form and position are limited by the size tolerances. (This ISO-standard describes the envelope principle. According to the envelope principle the deviations of form and position are limited by the size tolerances.) Tolerances must be declared in accordance with the envelope principle. According to the envelope principle the deviations of form and position are limited by the size tolerances. (This ISO-standard describes the envelope principle. According to the envelope principle the deviations of form and position are limited by the size tolerances.)</small>			General tolerance	ISO - drawing, no manual modifications allowed	First Use: -	Material	2015	Tag/Date	Material	07.09.	Höfmann	Scale	1:1	Sheet: 1 of 1	Vol.	nr 011 / Ser 1	Ersatz für/Replacement for: -	Index	www.wieland-electric.com	Type	Änderung/Revision	www.wieland-electric.com	Benennung/Title
96.053.6053.9	RS12015S B1 M90 BL07	lichtblau / lightblue																																
Bestellnummer / Order number	Typ / Type	Farbe / Color																																
Weitere Daten siehe KATALOG oder eCatalog. www.wieland-electric.com Additional data see CATALOG or eCatalog. eshop.wieland-electric.com																																		
<small>Tolerierung Size ISO 11468 / Tolerance system Size ISO 11468 / Tolerances and deviations in accordance with DIN 52010 list of standards. (This ISO-standard describes the envelope principle. According to the envelope principle the deviations of form and position are limited by the size tolerances.) Tolerances must be declared in accordance with the envelope principle. According to the envelope principle the deviations of form and position are limited by the size tolerances. (This ISO-standard describes the envelope principle. According to the envelope principle the deviations of form and position are limited by the size tolerances.) Tolerances must be declared in accordance with the envelope principle. According to the envelope principle the deviations of form and position are limited by the size tolerances. (This ISO-standard describes the envelope principle. According to the envelope principle the deviations of form and position are limited by the size tolerances.)</small>																																		
General tolerance	ISO - drawing, no manual modifications allowed	First Use: -																																
Material	2015	Tag/Date																																
Material	07.09.	Höfmann																																
Scale	1:1	Sheet: 1 of 1																																
Vol.	nr 011 / Ser 1	Ersatz für/Replacement for: -																																
Index	www.wieland-electric.com	Type																																
Änderung/Revision	www.wieland-electric.com	Benennung/Title																																