

5

4

3

2

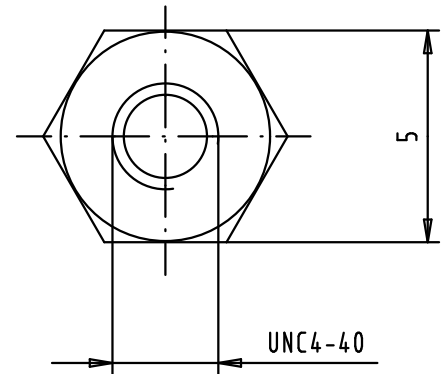
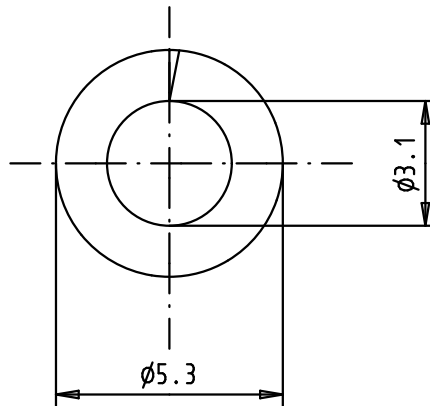
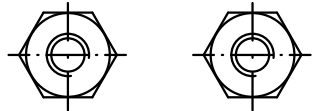
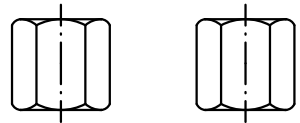
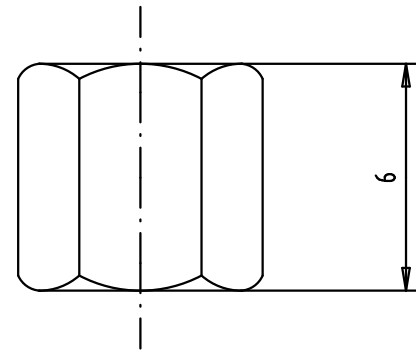
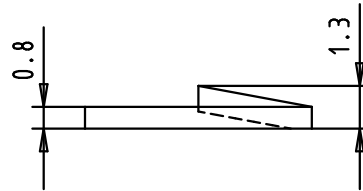
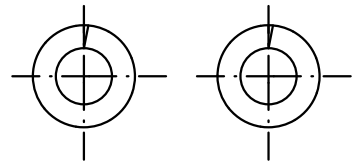
1

D



C

B

A



PAIR

				Dot.	Name	 All Dim. in mm Orig. Size DIN A 4	Hex. Extender Include washer "pair"	Maßstab/ Scale
			Detail.	22/11/02	S.H.			
			Insp.	21/04/11	JB			
			Stand.					
EC 03145	21/04/11	SD	HARTING ELEKTRONIK				TB 09 67 001 9985	Blatt/ Page
31362	22/11/02	S.H.	F-95972 Paris					
Mod.	Dot.	Name						