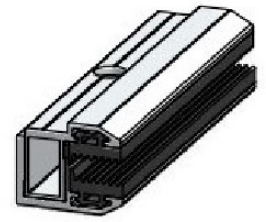
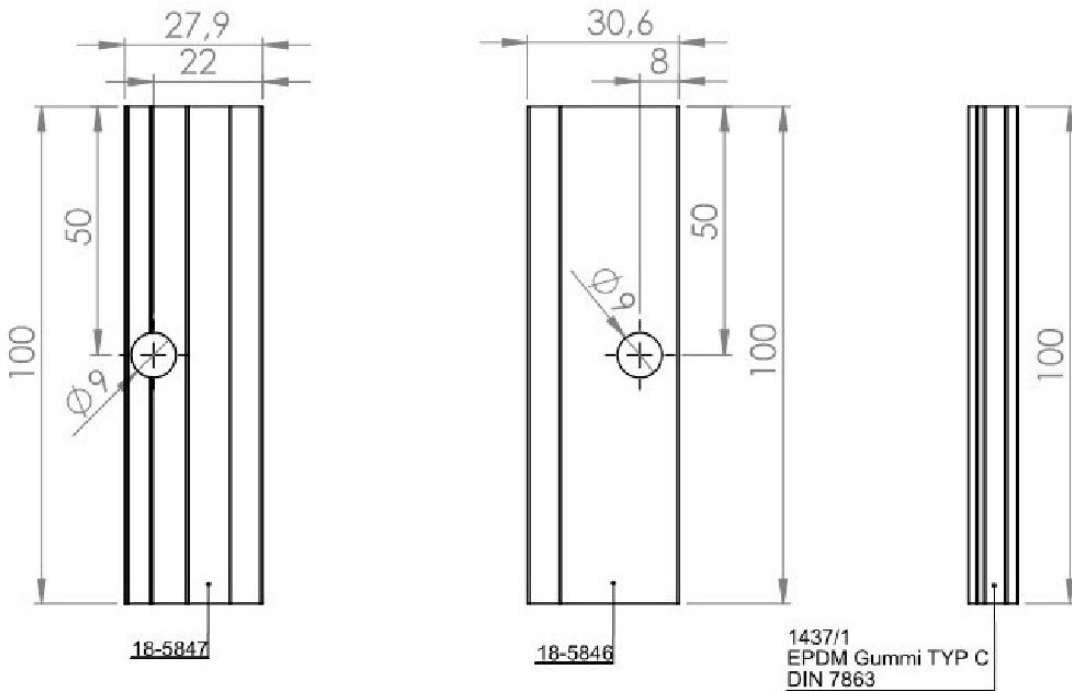


A



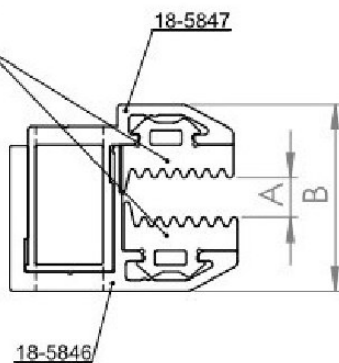
B



C

D

1437/1  
EPDM Gummi TYP C  
DIN 7863



	min.	max.
A	5,3	9,2
B	25,1	29

E

The clamp is approved for modules with a glass thickness of 6.8 - 8.0 mm

F



K2 Systems GmbH  
Industriestr. 18  
71272 Renningen  
07159/42059-0

Designation:

**Data sheet**  
**End Clamp CLICK 6.8 100 mm**  
**for laminate module**

	Name	Date	Material:	Item no.:	<b>1000668</b>	<b>A4</b>
Designed	S. Frey	14.04.2020	EN AW 6060/T5; EPDM 70±5° ShA			
Approved	S. Frey	14.04.2020	Surface: plate finish	Drawing no.:	03-099-01	All dimensions in mm
Last change	S. Frey	27.07.2020	Weight: ca. 84 g/pc	Scale: -		Sheet 1 of 1