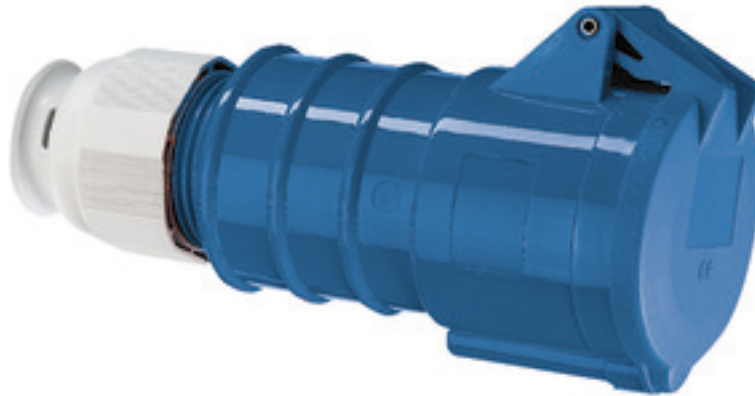


Connector - 7 poles, with Multi-Grip



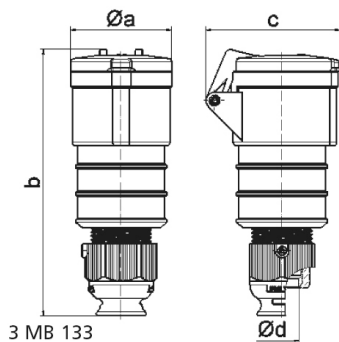
| Product description | |
|-------------------------------|---------------|
| BALS-Prd.-Nr | 310311 |
| EAN | 4024941105026 |
| product category (PG) | Connector TE |
| current (A) | 16A |
| number of poles (P99) | 7p |
| number of poles (P) | 6p+PE |
| position of earth contact (H) | 9 h |
| voltage (V) | 230V |
| frequency (HZ) | 50 and 60Hz |

| Product description | |
|-----------------------------|--|
| protection degree (SA) | IP44 |
| colour code 1 (KF1) | blue RAL 5015 |
| Colour of appliance | Enclosure blue RAL 5015, Hinged lid blue RAL 5015, Cable gland grey RAL 7035 |
| connection design (AT) | with screw terminal |
| maximum conductor size (LQ) | 2,5 qmm |
| cable entry (KE) | Cable gland |
| Height | 173mm |
| Width | 65mm |
| Depth | 86mm |
| material of enclosure (GM) | Polyamide |
| contact | The contact carrier is made of high temperature resistant material, the contacts are brass nickel plated |

| Additional technical properties | |
|---------------------------------|--|
| | For cable diameter from 10 up to max. 21 mm, Multi-Grip cable gland with gasket, integrated cable clamp and additional water evacuation openings |

| Logistics data | |
|----------------|------------------|
| Weight/pcs | 0.248 kg / Piece |
| Packaging | Bag |
| Content amount | 1 ST |
| EAN | 4024941105026 |

| Logistics data | |
|----------------|---------------|
| Length | 86 mm |
| Width | 65 mm |
| Height | 173 mm |
| Weight | 0.249 kg |
| Volume | 967.07 ccm |
| Packaging | Carton |
| Content amount | 10 ST |
| EAN | 4024941959049 |
| Length | 245 mm |
| Width | 177 mm |
| Height | 185 mm |
| Weight | 2.613 kg |
| Volume | 7,140 ccm |



| | | | | | | | | |
|----------------------------|-------|-------|--|--|--|--|--|--|
| Ampere | 16 | 32 | | | | | | |
| Polzahl | 7 | 7 | | | | | | |
| a ø | 65,0 | 72,0 | | | | | | |
| b | 168,0 | 198,0 | | | | | | |
| c | 86,0 | 99,0 | | | | | | |
| d ø | 21,0 | 27,0 | | | | | | |
| Leiter mm ² min | 1 | 2,5 | | | | | | |
| Leiter mm ² max | 2,5 | 6 | | | | | | |
| | | | | | | | | |
| | | | | | | | | |
| | | | | | | | | |
| | | | | | | | | |
| | | | | | | | | |