

Wall mounting socket outlet - with external fixing



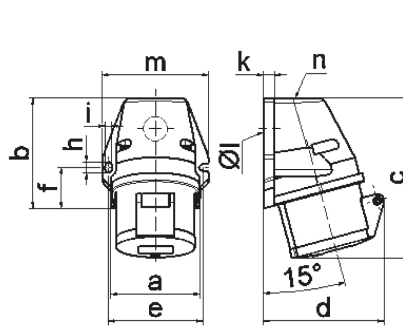
Product description	
BALS-Prd.-Nr	11924
EAN	4024941119245
product category (PG)	Wall mounting socket outlet Quick-Connect
current (A)	32A
number of poles (P99)	4p
number of poles (P)	3P+PE
position of earth contact (H)	7 h
voltage (V)	480 up to 500V
frequency (HZ)	50 and 60Hz

Product description	
protection degree (SA)	IP44
colour code 1 (KF1)	black RAL 9005
Colour of appliance	Collar black RAL 9005, Hinged lid black RAL 9005, Housing bottom grey RAL 7035, Housing top grey RAL 7035
connection design (AT)	screwless spring terminals as cage clamp with Kontex-contact
maximum conductor size (LQ)	10,0 qmm
cable entry (KE)	top entry M25
Height	143mm
Width	94mm
Depth	103mm
dimension of enclosure (GG)	92x94 mm (HxW)
material of enclosure (GM)	Polyamide
contact	The contact carrier is made of polyamide, The contacts are brass

Additional technical properties	
	The cable entry is one at top open and one at bottom closed

Logistics data	
Weight/pcs	0.267 kg / Piece
Packaging	Bag
Content amount	1 ST

Logistics data	
EAN	4024941119245
Length	103 mm
Width	94 mm
Height	143 mm
Weight	0.268 kg
Volume	1,384.526 ccm
Packaging	Carton
Content amount	10 ST
EAN	4024941957595
Length	325 mm
Width	217 mm
Height	210 mm
Weight	2.876 kg
Volume	13,588.4 ccm



Ampere Polzahl	16 3	16 4	16 5	32 3	32 4	32 5
a	59,5	72,4	72,4	79,1	79,1	79,1
b	90,0	90,0	90,0	92,0	92,0	92,0
c	130,0	130,0	131,0	142,0	142,0	142,0
d	85,0	96,0	98,0	103,0	103,0	106,0
e	62,0	77,0	77,0	84,0	84,0	84,0
f	33,5	33,5	33,5	30,0	30,0	30,0
h	9,0	9,0	9,0	9,0	9,0	9,0
i	5,5	5,5	5,5	5,5	5,5	5,5
k	8,0	9,0	9,0	9,0	9,0	9,0
l Ø	21,0	21,0	21,0	21,0	21,0	21,0
m	72,0	87,0	87,0	94,0	94,0	94,0
n	M20	M25	M25	M25	M25	M25
Leiter mm ² min	1,5	1,5	1,5	2,5	2,5	2,5
Leiter mm ² max	4	4	4	10	10	10

1 MB 19