

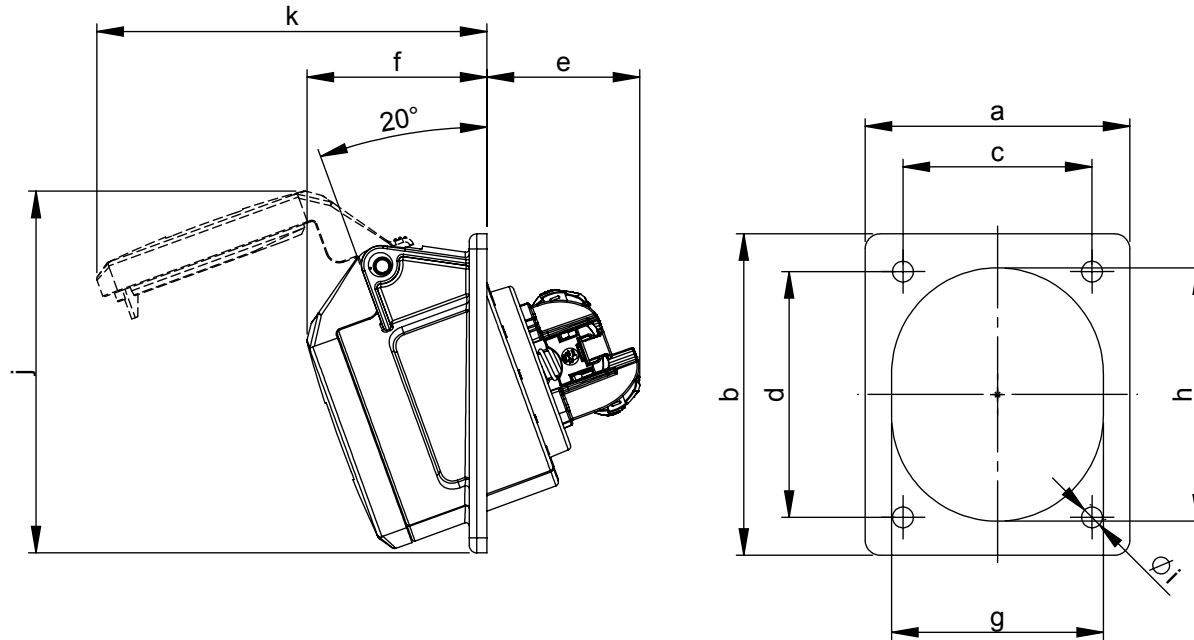
## Maßskizze / dimensional drawing

Benennung: Anbausteckdose schräg IP44 70x85 TT

description: Flanged socket sloping IP44 70x85 TT

Teilenummer / part number: 413-\*tt, 414-\*tt

PCE



Ampere	16		
Pole	3	4	5
a [mm]	70	70	-
b [mm]	85	85	-
c [mm]	50	50	-
d [mm]	65	65	-
e [mm]	41	41	-
f [mm]	47	47	-
g [mm]	51	56	-
h [mm]	61	67	-
i [mm]	5,5	5,5	-
j [mm]	85	96	-
k [mm]	99	104	-