

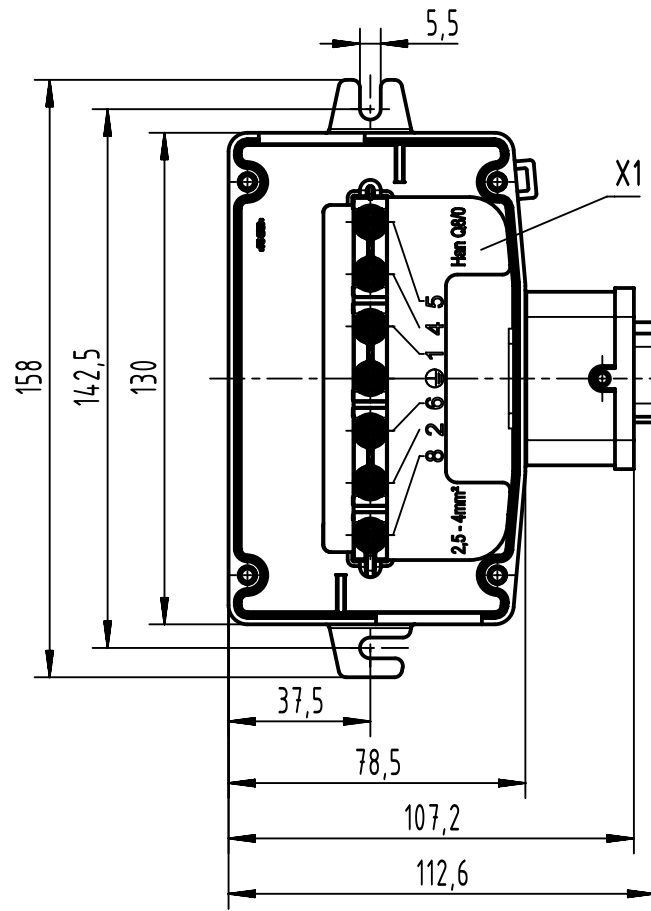
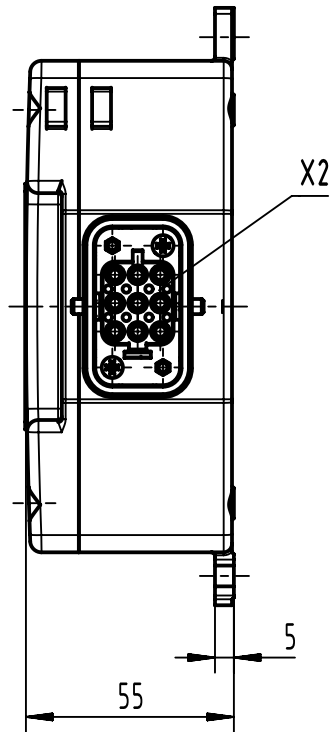
A

B

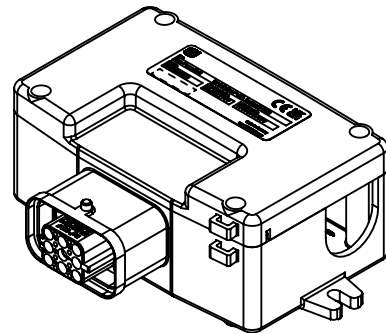
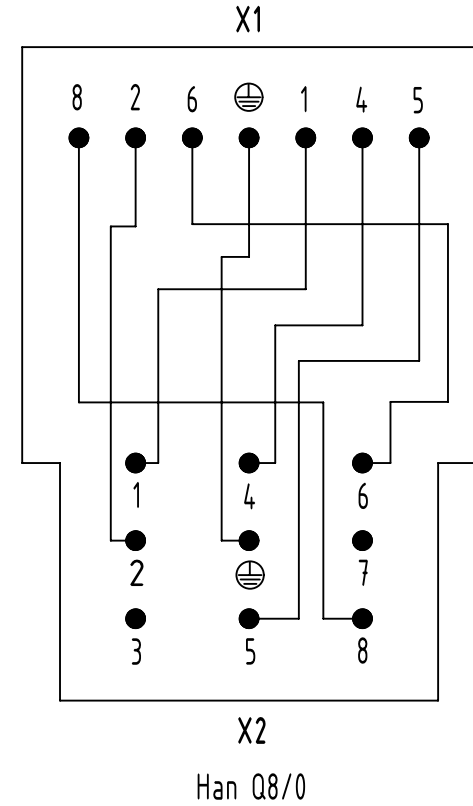
C

D

without cover



wiring plan



	All Dimensions in mm Original Size DIN A4	Scale 1:2		Free size tol.		Ref.	
						Sub. TB 09 12 008 4801 v. 06.06.02	
	All rights reserved Department EL PD	Created by HOLLERT	Inspected by RIEPE	Standardisation	Date 2023-02-17	State Final Release	
		Title Han-Power S with 1x Han Q8/0; 2.5-4 mm <sup>2</sup>					Doc-Key / ECM-Nr. 100226595/UGD/002/D 500000237562
HARTING D-32339 Espelkamp		Type TB	Number 09 12 008 4801			Rev. D	Page 1/1