

## Wall mounting socket outlet - Belgian/French standard



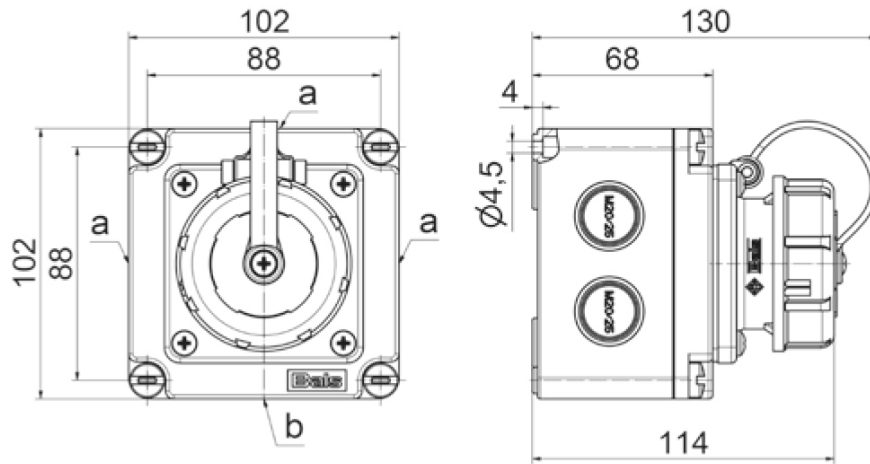
Product description	
BALS-Prd.-Nr	7246
EAN	4024941937993
Product category	Domestic wall mounting socket outlet, straight
Current	16A
Number of poles	3p
Poles	2P+PE
Voltage	250V
Frequency	alternating current (AC)
Protection degree	IP67

Product description	
Colour code	blue RAL 5015
Colour of appliance	Enclosure blue RAL 5015, Hinged lid blue RAL 5015, Bayonet ring grey RAL 7035
Connection design	head-screw terminal
Maximum conductor size	4,0 qmm
Cable entry	3 sides 2x M20/25, 1 side 1x M20/25, to break out
Height	102mm
Width	102mm
Depth	130mm
Dimension of enclosure	102x102 mm (HxW)
Material of enclosure	Polyamide
Contact	The contact carrier is made of high temperature resistant material, the contacts are brass nickel plated

Additional technical properties	
	All cable entries are to break out

Logistics data	
Weight/pcs	0.313 kg / Piece
Packaging	Bag
Content amount	1 ST
EAN	4024941937993
Length	130 mm

Logistics data	
Width	102 mm
Height	102 mm
Weight	0.314 kg
Volume	1,352.52 ccm
Packaging	Carton
Content amount	10 ST
EAN	4024941835787
Length	325 mm
Width	217 mm
Height	210 mm
Weight	3.336 kg
Volume	13,588.4 ccm



a	2xM20/M25
b	1xM20/M25

18 MB 114