

Phase inverter - with TE screw terminals, for harsh applications



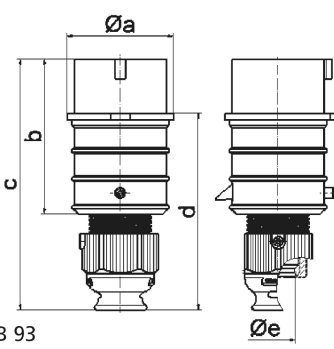
| Product description | |
|-------------------------------|------------------------|
| BALS-Prd.-Nr | 2286 |
| EAN | 4024941022866 |
| product category (PG) | TE phase inverter |
| current (A) | 16A |
| number of poles (P99) | 5p |
| number of poles (P) | 3p+N+PE |
| position of earth contact (H) | 9 h |
| voltage (V) | 120/208 up to 144/250V |

| Product description | |
|-----------------------------|--|
| frequency (HZ) | 50 and 60Hz |
| protection degree (SA) | IP44 |
| colour code 1 (KF1) | blue RAL 5015 |
| Colour of appliance | Collar blue RAL 5015, Cable gland grey RAL 7035, Housing cover blue RAL 5015 |
| connection design (AT) | with screw terminal |
| maximum conductor size (LQ) | 2,5 qmm |
| cable entry (KE) | Cable gland |
| Height | 154mm |
| Width | 65mm |
| Depth | 74mm |
| material of enclosure (GM) | Polyamide |
| contact | The contact carrier is made of high temperature resistant material, the contacts are brass nickel plated |

| Additional technical properties | |
|---------------------------------|--|
| | For cable diameter from 10 up to max. 21 mm, Multi-Grip cable gland with gasket, integrated cable clamp and additional water evacuation openings |

| Logistics data | |
|----------------|----------------|
| Weight/pcs | 0.0 kg / Piece |
| Packaging | Bag |
| Content amount | 1 ST |

| Logistics data | |
|----------------|---------------|
| EAN | 4024941022866 |
| Length | 74 mm |
| Width | 65 mm |
| Height | 154 mm |
| Weight | 0.001 kg |
| Volume | 740.74 ccm |
| Packaging | Carton |
| Content amount | 10 ST |
| EAN | 4024941834278 |
| Length | 245 mm |
| Width | 177 mm |
| Height | 185 mm |
| Weight | 0.133 kg |
| Volume | 7,140 ccm |



2 MB 93

| Ampere | 16 | 16 | 16 | 32 | 32 | 32 |
|----------------------------|-------|-------|-------|-------|-------|-------|
| Polzahl | 3 | 4 | 5 | 3 | 4 | 5 |
| a ø | 51,0 | 57,5 | 65,0 | 66,0 | 66,0 | 72,0 |
| b | 95,0 | 95,0 | 97,0 | 118,0 | 118,0 | 117,0 |
| c | 145,0 | 145,0 | 152,0 | 178,0 | 178,0 | 181,0 |
| d | 109,0 | 109,0 | 116,0 | 133,0 | 133,0 | 135,5 |
| e ø | 18,0 | 18,0 | 21,0 | 23,0 | 23,0 | 27,0 |
| Leiter mm ² min | 1 | 1 | 1 | 2,5 | 2,5 | 2,5 |
| Leiter mm ² max | 2,5 | 2,5 | 2,5 | 6 | 6 | 6 |
| | | | | | | |
| | | | | | | |
| | | | | | | |
| | | | | | | |