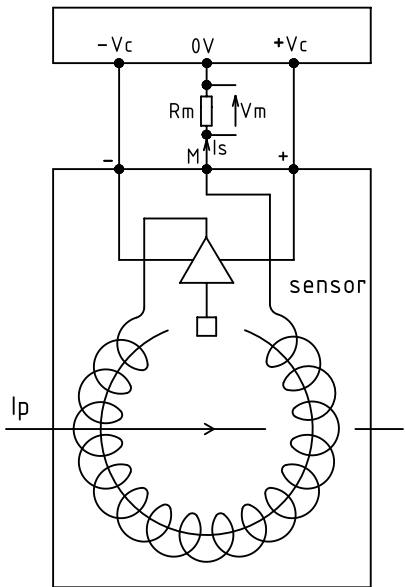
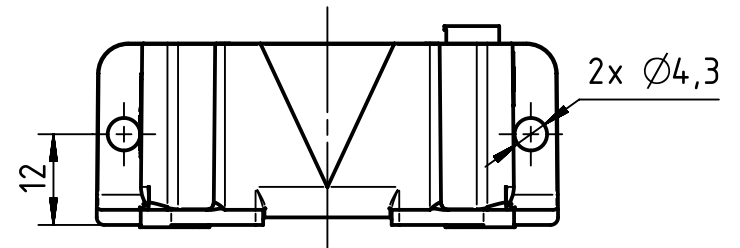
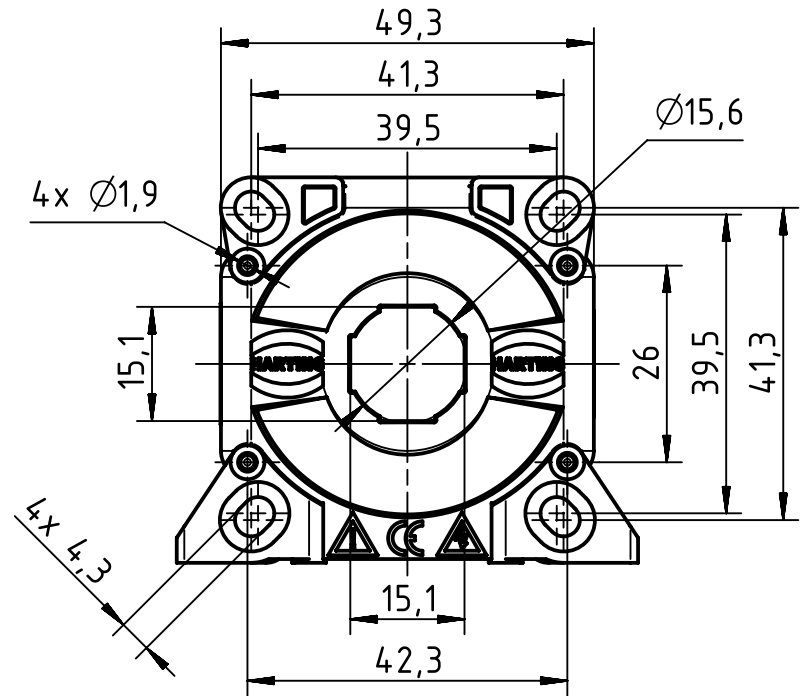
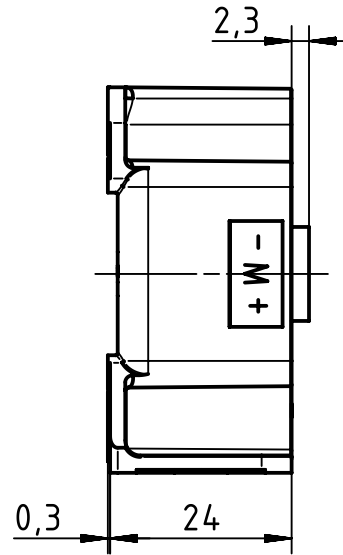
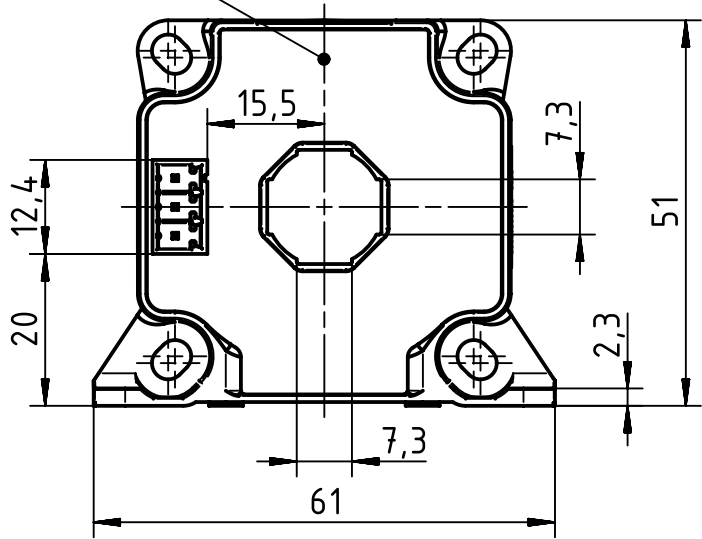
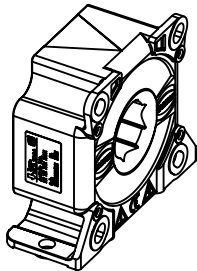


Hall-element position



(1:2)



Spring clamp terminal enclosed separately

	All rights reserved Department EL PD - DE HARTING Electric GmbH & Co. KG D-32339 Espelkamp	All Dimensions in mm Original Size DIN A4		Scale 1:1	Free size tol.	Ref. Sub.
		Created by GRUBES	Inspected by TIEMANNA	Standardisation SCHMIDTM	Date 2015-03-24	State Final Release
Title Current sensor 200A small						Doc-Key / ECM-Nr. 100614477/UGD/000/A 500000086253
Type TB				Number 20 31 020 0301		Rev. A
						Page 1/1