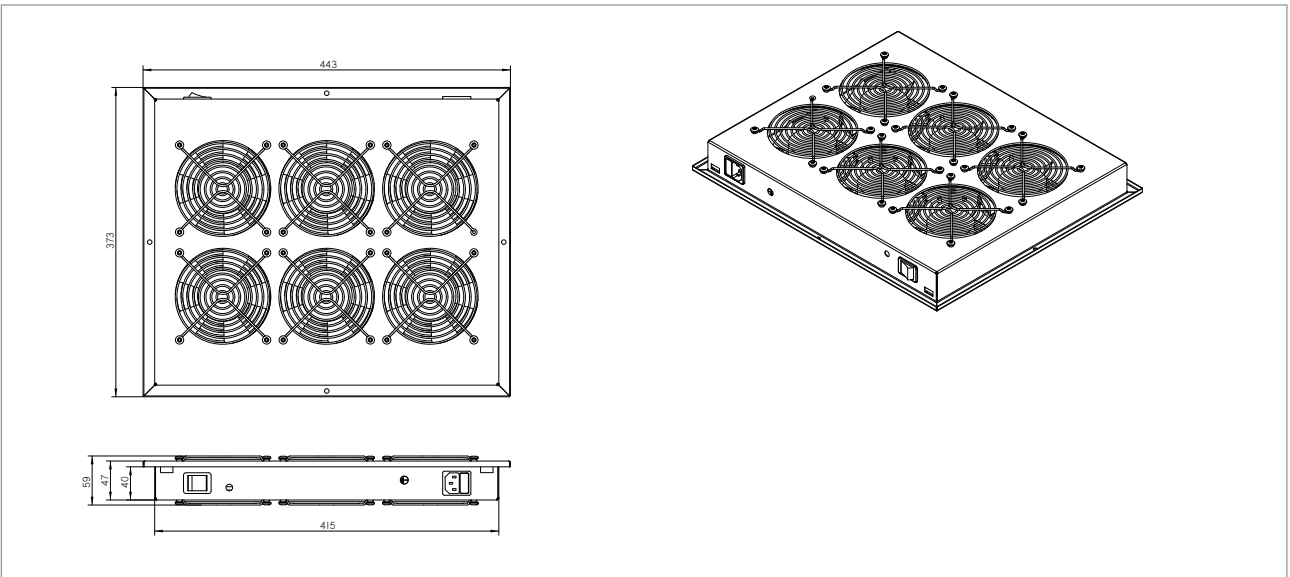




RAB-CH-X04-X3

**RAB-CH-X04-X3**



Ventilation unit for free-standing cabinets				
Product code	Input (W)	Number of ventilators	Noise dB	Air flow m3/h
RAB-CH-X04-X3	92	4	59,9	139,2

**RAB-CH-Xxx-X3**

These fan units are specially designed for free-standing cabinets. They are mounted as required into the base, top cover, or door of the cabinet (permeability 350 x 420 mm).

A fan unit for free-standing cabinets – it is installed into the top cover from outside of the cabinet, into the base from inside of the cabinet. When installing into the base of the cabinet, it is necessary to use the installation frame of the bottom fan

unit – RAX-CH-XXX-X1, which is mounted using a two-sided gluing tape.

We also recommend using a plinth for air intake under the cabinet.

Extension of temperatures adjustment: bimetallic thermostat  
Specified voltage(V/Hz): 230/50-60