

Plug TN - with cable gland, with closure cap

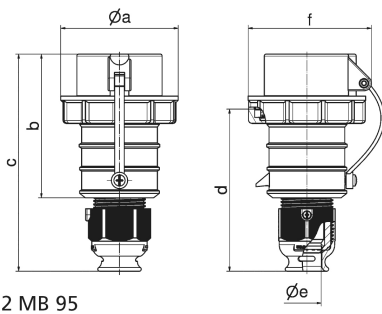


Product description	
BALS-Prd.-Nr	21380
EAN	4024941213806
Product category	QUICK-CONNECT TN plug
Current	32A
Number of poles	5p
Arrangement of phases	3p+N+PE
Position of earth contact	2 h
Voltage	> 50V~
Frequency	> 300 - 500Hz

Product description	
VG-type-no.:	VG 96919 CP 008
Supply no.:	5935-12-312-4197
Protection degree	IP67
Colour code	bronze-green RAL 6031-F9
Colour of appliance	Cable gland bronze-green RAL 6031-F9, Bayonet ring bronze-green RAL 6031-F9, Housing cover bronze-green RAL 6031-F9, Collar bronze-green RAL 6031-F9, Closure cap bronze-green RAL 6031-F9
Connection design	screwless spring-clamp technology
Maximum conductor size	6,0 qmm
Cable entry	Cable gland
Height	194mm
Width	101.5mm
Depth	104.5mm
Material of enclosure	Polyamide
Contacts	The contact carrier is made of high temperature resistant material, the contacts are brass nickel plated

Additional technical properties	
	For cable diameter from 13 up to max. 27 mm, Multi-Grip cable gland with gasket, integrated cable clamp and additional water evacuation openings
	With closure cap

Logistics data	
Weight/pcs	0.412 kg / Piece
Packaging	Bag
Content amount	1 ST
EAN	4024941213806
Length	104.5 mm
Width	101.5 mm
Height	194 mm
Weight	0.413 kg
Volume	2,057.71 ccm
Packaging	Carton
Content amount	10 ST
EAN	4024941839075
Length	330 mm
Width	216 mm
Height	260 mm
Weight	4.346 kg
Volume	17,062.5 ccm



2 MB 95

Ampere Polzahl	16 3	16 4	16 5	32 3	32 4	32 5
a ø	70,0	78,0	86,0	94,0	94,0	101,0
b	103,5	104,0	105,5	127,0	127,0	129,5
c	153,5	154,0	160,5	187,0	187,0	193,5
d	111,0	111,0	119,0	136,0	136,0	138,5
e ø	18,0	18,0	21,0	23,5	23,5	27,0
f	75,5	82,5	91,0	96,5	96,5	104,5
Leiter mm ² min	1,0	1,0	1,0	2,5	2,5	2,5
Leiter mm ² max	2,5	2,5	2,5	6,0	6,0	6,0