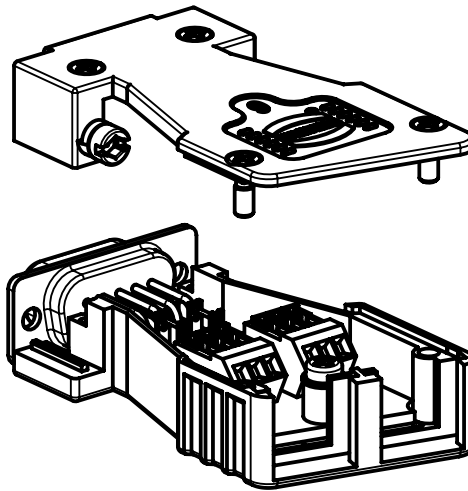
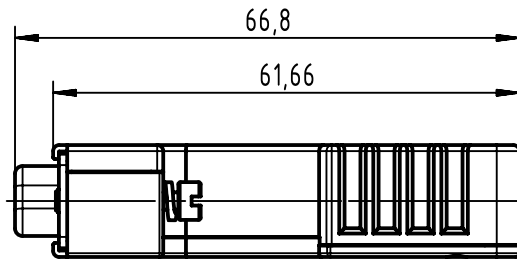
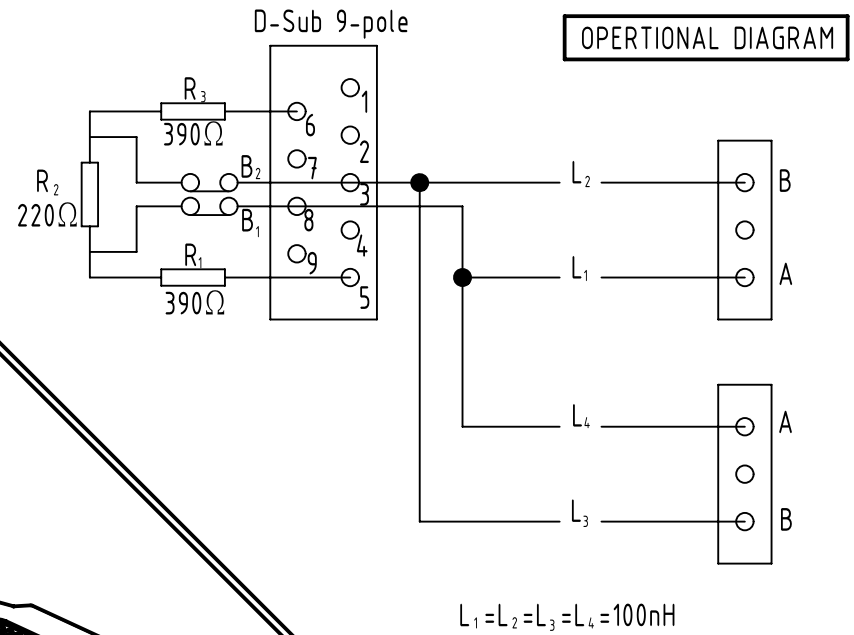
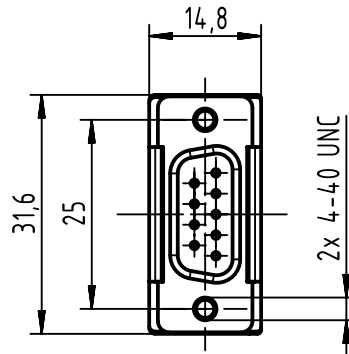
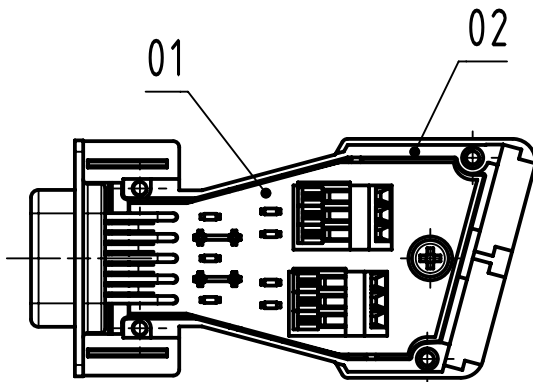


1 2 3 4 5 6

View without cover



in set inclusive

Number	Description
1	Blanking piece 9-37

6663 009 6003 777	PL2	Small batch
6663 009 6003	PL2	Standard batch
Part number	Performance level	Remark

	All rights reserved Department EL PD	All Dimensions in mm Original Size DIN A4		Scale 1:1	Free size tol.		Ref. Sub.	
		Created by ZHUANGJ	Inspected by LUOK	Standardisation ROEBEN	Date 2021-08-04	State Final Release		
HARTING D-32339 Espelkamp			Title InduCom 9 male Profibus			Doc-Key / ECM-Nr. 100073191/UGD/024/B 500000200533		
Type TB		Number 66630096003		Rev. B		Page 1/1		