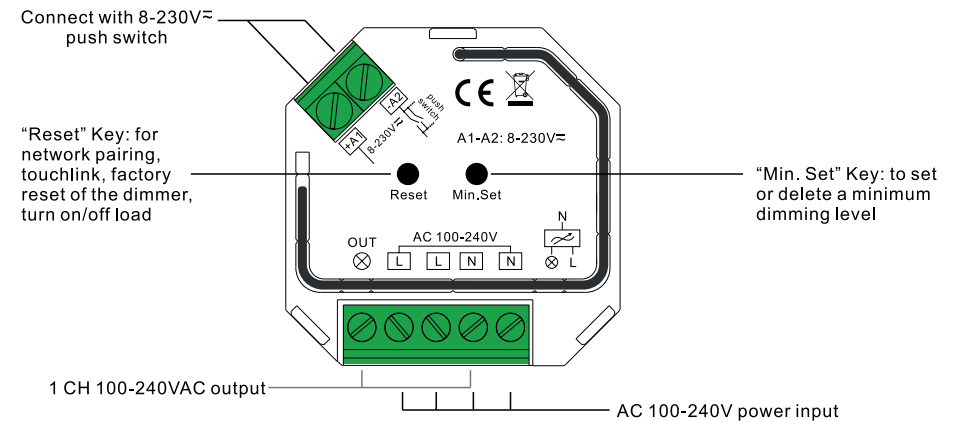


SLC SmartOne AC Dimmer Mini 200W Zigbee LN



Product data

Input Voltage: 100-240VAC
Output Voltage: 100-240VAC
Output Current: 1,8A max
Size (LxWxH): 45,5 x 45 x20,3 mm

Compatible Load Types

Dimmable LED lamps: 200W @ 220V / 100W @ 110V
Dimmable LED drivers: 200W @ 220V / 100W @ 110V
Due to variety of LED lamp designs, maximum number of LED lamps is further dependent on power factor result when connected to dimmer. Maximum permitted number of drivers is 200W divided by driver name-plate power rating.

Product features

- ZigBee AC phase-cut dimmer based on the latest ZigBee 3.0 protocol
- 100-240VAC Wide Input and Output Voltage
- Supports resistive loads and capacitive loads
- Input and Output with Screw Terminals, Safe and Reliable
- Enables to control ON/OFF and light intensity of connected Triac dimmable led light or led driver
- ZigBee end device that supports Touchlink commissioning
- Can directly pair to a compatible ZigBee remote via Touchlink without a coordinator
- Supports self-forming Zigbee network without a coordinator and add other devices to the network
- Supports find and bind mode to bind a ZigBee remote
- Supports Zigbee green power and can bind max. 20 Zigbee green power remotes
- Compatible with universal ZigBee gateway products
- Can be controlled by universal 8-230V input single wire push switch
- Mini Size, Easy to be installed into a standard 86*86mm wall box
- Radio Frequency: 2.4GHz
- Waterproof grade: IP20

ZigBee Clusters the device supports are as follows:

Input Clusters: • 0x0000: Basic • 0x0003: Identify • 0x0004: Groups • 0x0005: Scenes
• 0x0006: On/off • 0x0008: Level Control • 0x0b05: Diagnostics
Output Clusters: • 0x0019: OTA

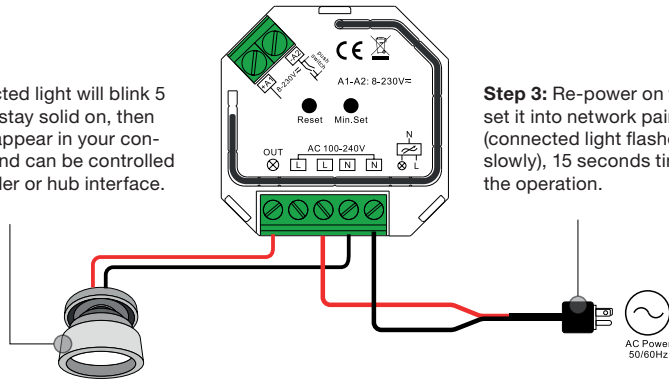
Operation

1. Do wiring according to connection diagram correctly.
2. This ZigBee device is a wireless receiver that communicates with a variety of ZigBee compatible systems. This receiver receives and is controlled by wireless radio signals from the compatible ZigBee system.
3. Zigbee Network Pairing through Coordinator or Hub (Added to a Zigbee Network)

Step 1: Remove the device from previous zigbee network if it has already been added to, otherwise pairing will fail. Please refer to the part "Factory Reset Manually".

Step 2: From your ZigBee Controller or hub interface, choose to add lighting device and enter Pairing mode as instructed by the controller.

Step 4: Connected light will blink 5 times and then stay solid on, then the device will appear in your controller's menu and can be controlled through controller or hub interface.



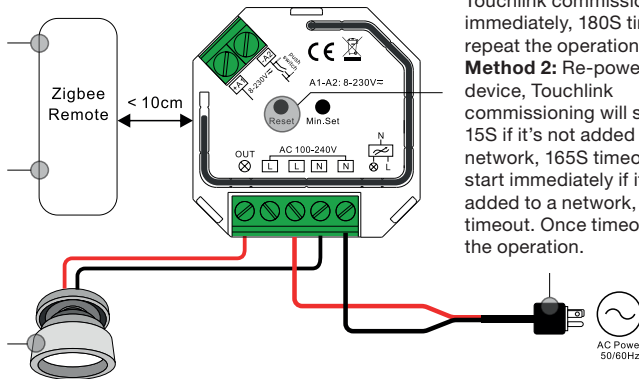
Step 3: Re-power on the device to set it into network pairing mode (connected light flashes twice slowly), 15 seconds timeout, repeat the operation.

4. TouchLink to a Zigbee Remote.

Step 2: Bring the remote or touch panel within 10cm of the lighting device.

Step 3: Set the remote or touch panel into Touchlink commissioning, please refer to corresponding remote or touch panel manual to learn how.

Step 4: There shall be indication on the remote for successful link and connected light will flash twice

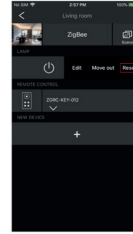


Step 1: Method 1: Short press "Reset" button (or re-power on the device) 4 times to start Touchlink commissioning immediately, 180S timeout, repeat the operation.

Method 2: Re-power on the device, Touchlink commissioning will start after 15S if it's not added to a zigbee network, 165S timeout. Or start immediately if it's already added to a network, 180S timeout. Once timeout, repeat the operation.

- 1) Directly TouchLink (both not added to a ZigBee network), each device can link with 1 remote.
- 2) TouchLink after both added to a ZigBee network, each device can link with max. 30 remotes.
- 3) For Hue Bridge & Amazon Echo Plus, add remote and device to network first then TouchLink.
- 4) After TouchLink, the device can be controlled by the linked remotes.

5. Removed from a Zigbee Network through Coordinator or Hub Interface

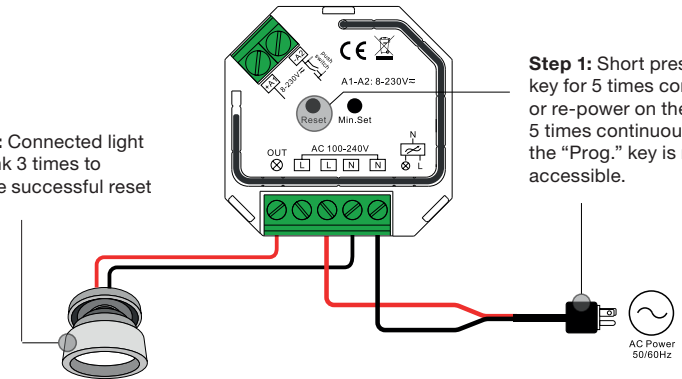


From your ZigBee controller or hub interface, choose to delete or reset the lighting device as instructed. The connected light blinks 3 times to indicate successful reset.

6. Factory Reset Manually

- 1) If the device is already at factory default setting, there is no indication when factory reset again.
- 2) All configuration parameters will be reset after the device is reset or removed from the network.

Step 2: Connected light will blink 3 times to indicate successful reset



Step 1: Short press "Reset." key for 5 times continuously or re-power on the device for 5 times continuously if the "Prog." key is not accessible.

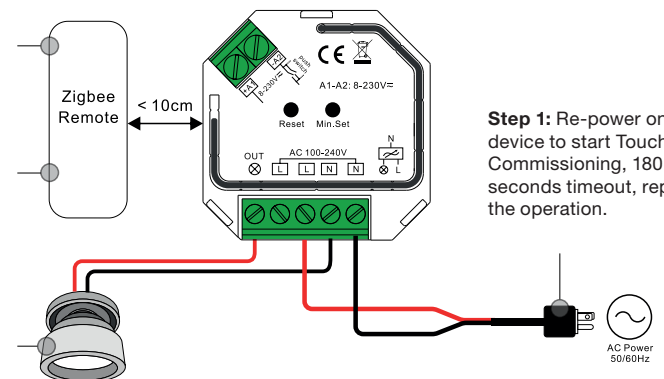
7. Factory Reset through a Zigbee Remote (Touch Reset)

Note: Make sure the device already added to a network, the remote added to the same one or not added to anynetwork.

Step 2: Bring the remote or touch panel within 10cm of the lighting device.

Step 3: Set the remote or touch panel into Touch Reset procedure to reset the device, please refer to corresponding remote or touch panel manual to learn how.

Step 4: There shall be indication on the remote and connected light flashes 3 times for successful reset.



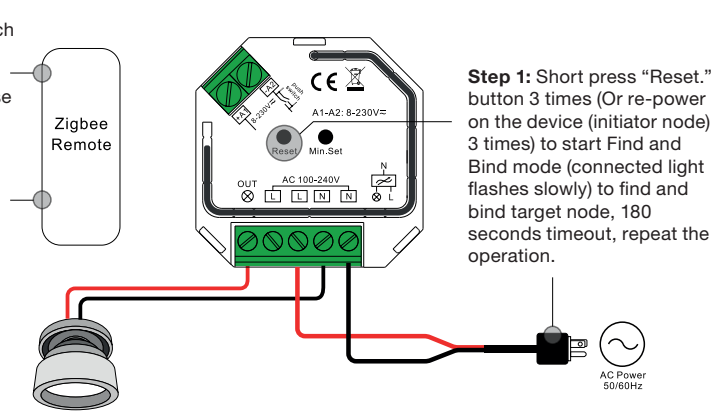
Step 1: Re-power on the device to start TouchLink Commissioning, 180 seconds timeout, repeat the operation.

8. Find and Bind Mode

Note: Make sure the device and remote already added to the same zigbee network.

Step 2: Set the remote or touch panel (target node) into find and bind mode, and enable it to find and bind initiator, please refer to corresponding remote or touch panel manual.

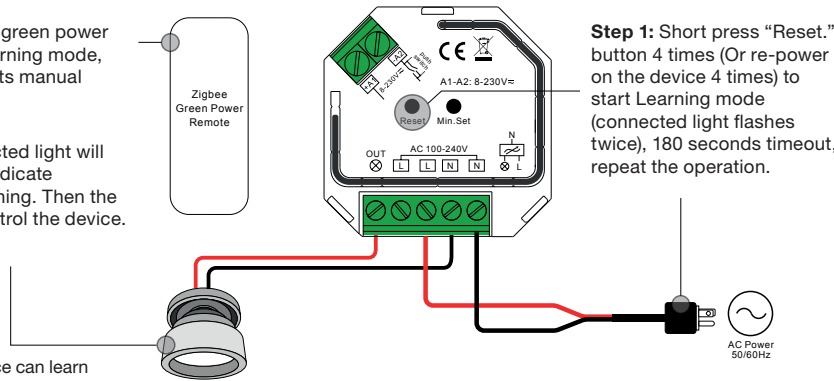
Step 3: There shall be indication on the remote or touch panel that it bind the device successfully and can control it then. to learn how.



9. Learning to a Zigbee Green Power Remote

Step 2: Set the green power remote into Learning mode, please refer to its manual

Step 3: Connected light will flash twice to indicate successful learning. Then the remote can control the device.

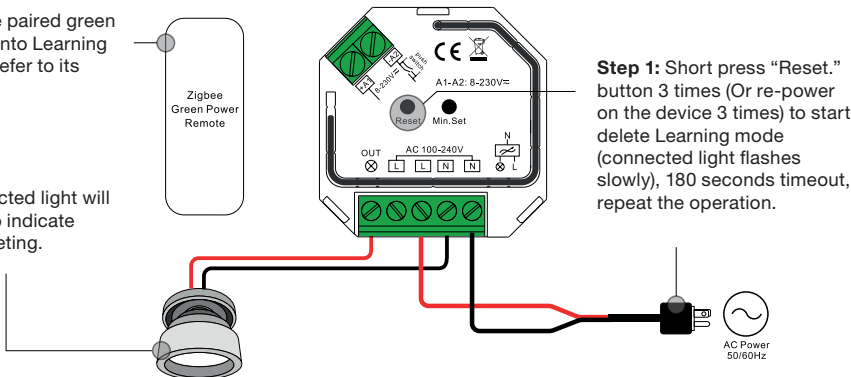


Note: Each device can learn to max.20 zigbee green power remote.

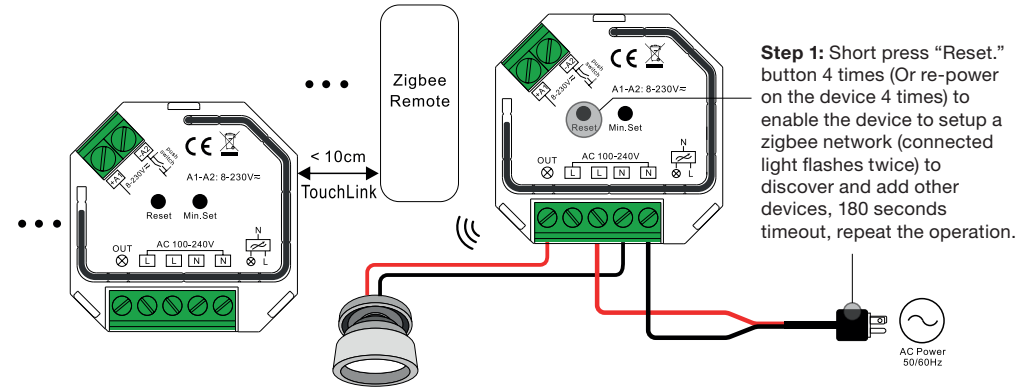
10. Delete Learning to a Zigbee Green Power Remote

Step 2: Set the paired green power remote into Learning mode, please refer to its manual.

Step 3: Connected light will flash 4 times to indicate successful deleting.



11. Setup a Zigbee Network & Add Other Devices to the Network (No Coordinator Required)



Step 2: Set another device or remote or touch panel into network pairing mode and pair to the network, refer to their manuals.

Step 3: Pair more devices and remotes to the network as you would like, refer to their manuals.

Step 4: Bind the added devices and remotes through Touchlink so that the devices can be controlled by the remotes, refer to their manuals.

- 1) Each added device can link and be controlled by max. 30 added remotes.
- 2) Each added remote can link and control max. 30 added devices.

12. Setting minimum brightness

Adjust brightness to a desired level from zigbee hub or controller interface or a remote, then press and hold down "Min. Set" key until connected light flashes, the minimum dimming level is set successfully, then the connected load can only be dimmable between this minimum brightness and 100% brightness.

The dimming range of this dimmer is 1%-100%, but some load types may flicker when dimmed to 1%, thus a minimum brightness shall be set higher than 1% to avoid flickering during dimming process

13. Delete the minimum brightness

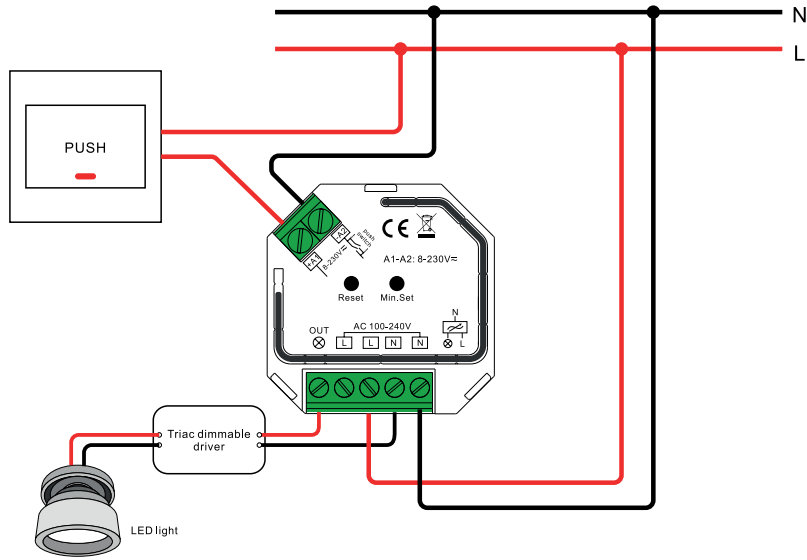
Adjust the brightness to 100% from zigbee hub or controller interface or a remote, then press and hold down the "Min. Set" key on the dimmer until connected light flashes, which means minimum brightness is deleted successfully.

14. Controlled by a push switch:

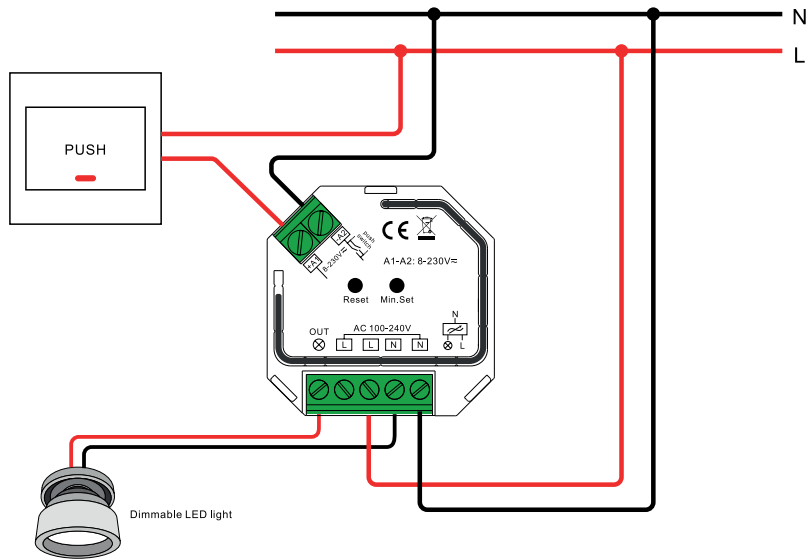
Once connected with a push switch, click the push switch to switch ON/OFF, press and hold down it to increase/decrease light intensity.

Wiring diagram

With triac dimmable driver



With dimmable LED light



SLC SmartOne AC Dimmer Mini 200W Zigbee LN



SLC Scandinavian Lighting Concept *SmartOne*

