

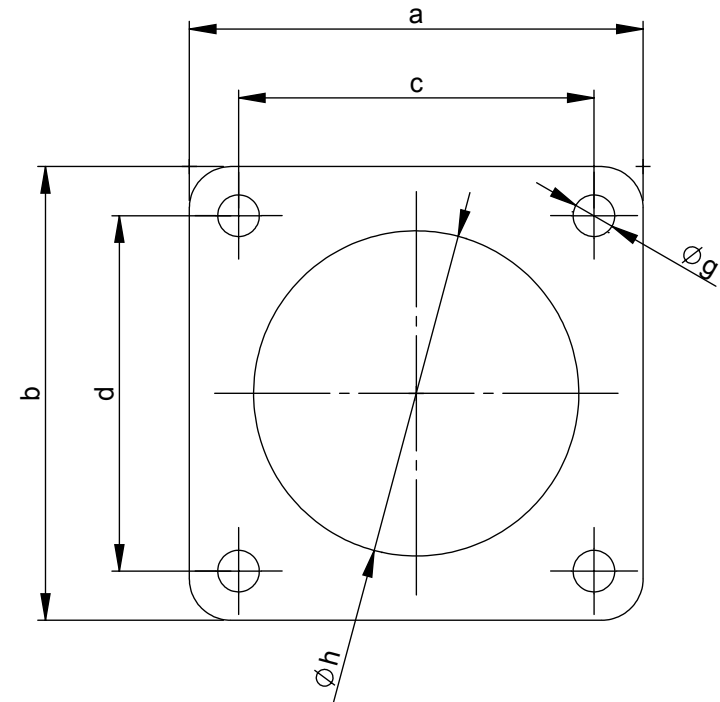
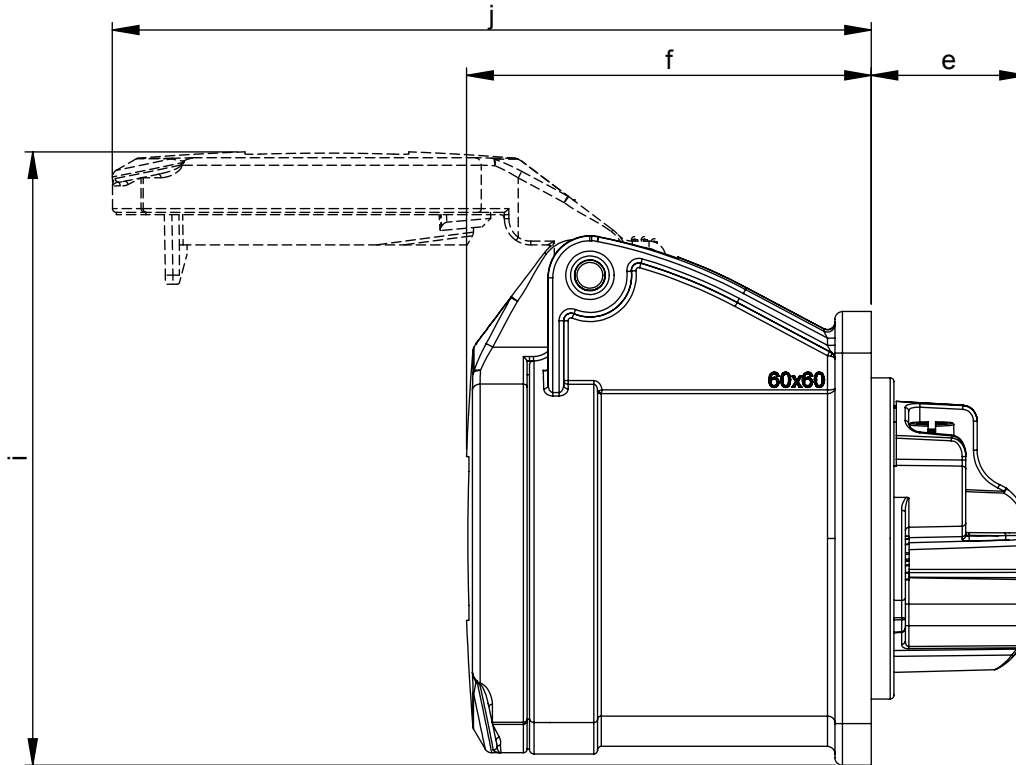
Maßskizze / dimensional drawing

Benennung: Anbausteckdose gerade IP44 60x60

description: Flanged socket straight IP44 60x60

Teilenummer / part number: 313-*f6, 314-*f6

PCE



Ampere	16		
Pole	3	4	5
a x b [mm]	60	60	-
c x d [mm]	47	47	-
e [mm]	21	21	-
f [mm]	55	55	-
g [mm]	5,5	5,5	-
h [mm]	43	45	-
i [mm]	82	99	-
j [mm]	101	101	-