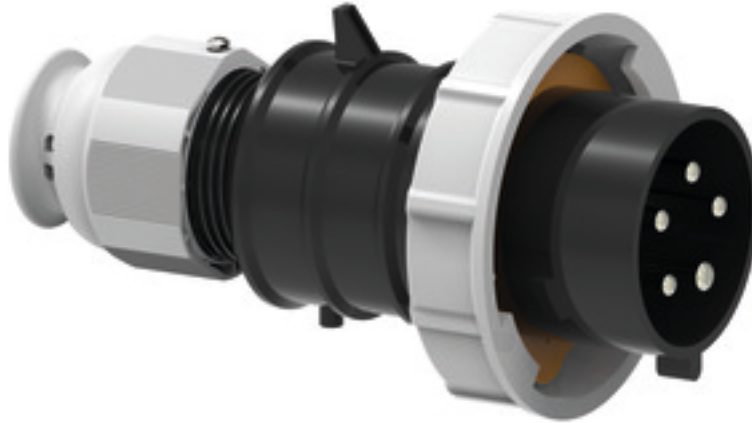


Plug - with screwless terminals, for harsh applications



| Product description | |
|---------------------------|-----------------------|
| BALS-Prd.-Nr | 21282 |
| EAN | 4024941212823 |
| Product category | QUICK-CONNECT TE plug |
| Current | 32A |
| Number of poles | 5p |
| Arrangement of phases | 3p+N+PE |
| Position of earth contact | 7 h |
| Voltage | 277/480 - 288/500V~ |
| Frequency | 50/60Hz |

| Product description | |
|------------------------|--|
| Protection degree | IP67 |
| Colour code | black RAL 9005 |
| Colour of appliance | Collar black RAL 9005, Bayonet ring grey RAL 7035, Cable gland grey RAL 7035, Housing cover black RAL 9005 |
| Connection design | screwless spring-clamp technology |
| Maximum conductor size | 6,0 qmm |
| Cable entry | Cable gland |
| Height | 182mm |
| Width | 102mm |
| Depth | 102mm |
| Material of enclosure | Polyamide |
| Contacts | The contact carrier is made of high temperature resistant material, the contacts are brass nickel plated |

| Additional technical properties | |
|---------------------------------|--|
| | For cable diameter from 13 up to max. 27 mm, Multi-Grip cable gland with gasket, integrated cable clamp and additional water evacuation openings |

| Logistics data | |
|----------------|------------------|
| Weight/pcs | 0.346 kg / Piece |
| Packaging | Bag |
| Content amount | 1 ST |
| EAN | 4024941212823 |

| Logistics data | |
|----------------|---------------|
| Length | 102 mm |
| Width | 102 mm |
| Height | 182 mm |
| Weight | 0.347 kg |
| Volume | 1,893.528 ccm |
| Packaging | Carton |
| Content amount | 10 ST |
| EAN | 4024941821988 |
| Length | 330 mm |
| Width | 216 mm |
| Height | 260 mm |
| Weight | 3.686 kg |
| Volume | 17,062.5 ccm |

