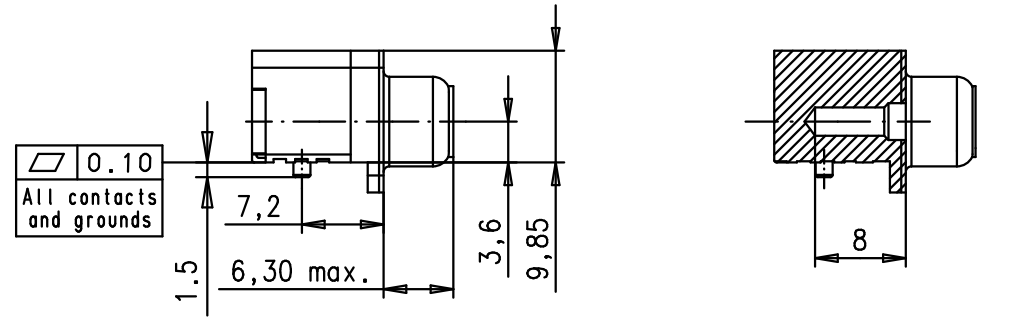
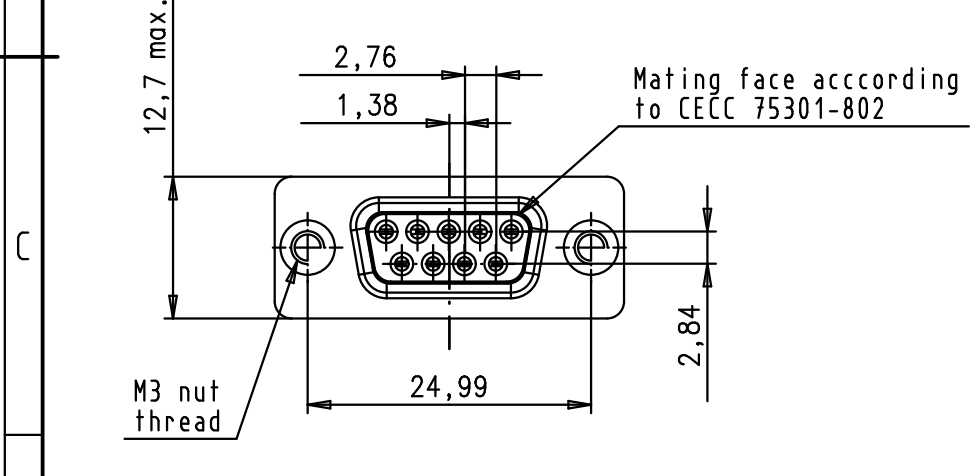


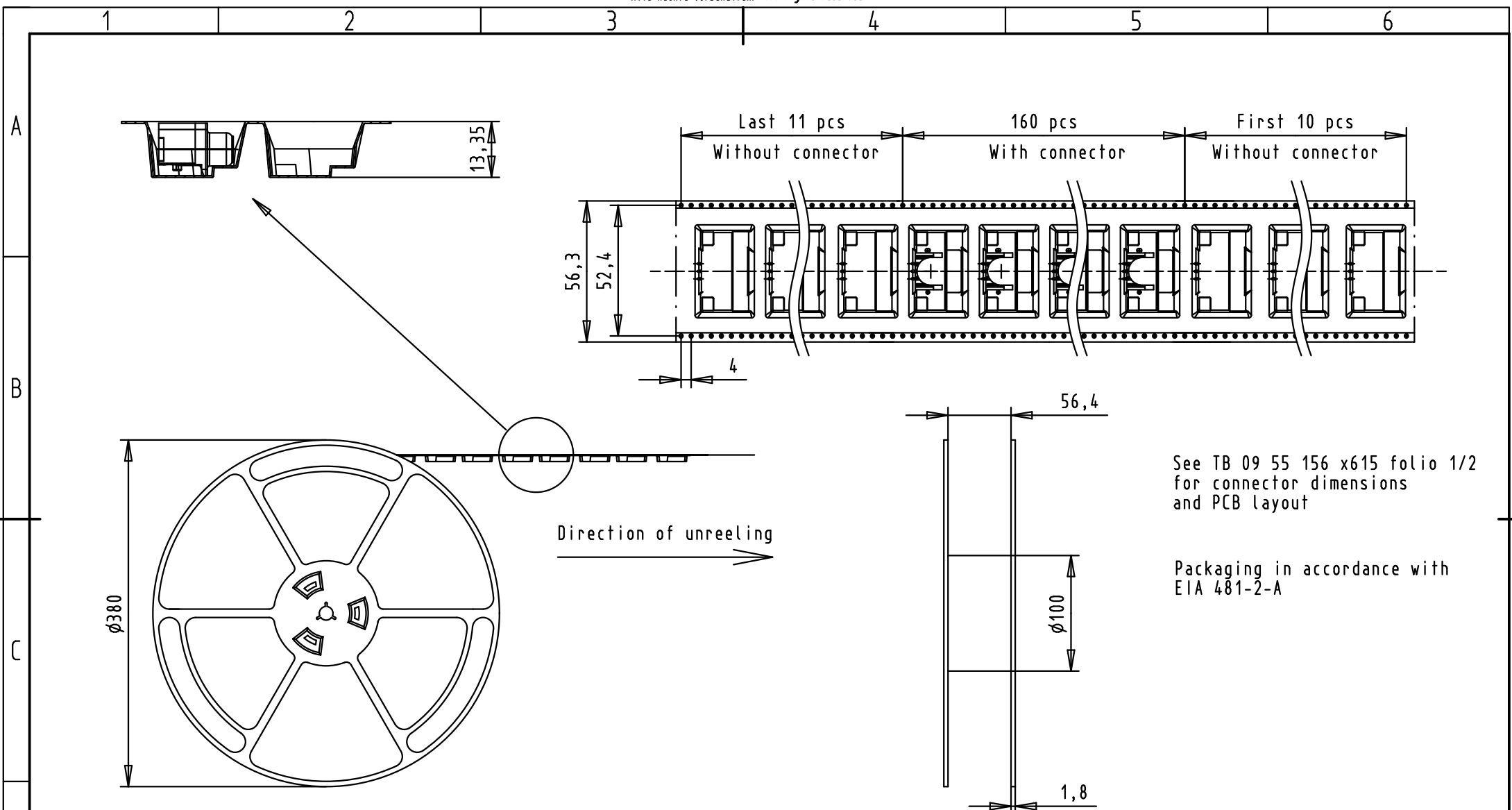


PCB Layout, component side (thickness 1.6 mm min.)



Max. Temperature : 260° during 10 seconds

							Dat.		Name		 All Dim. in mm Orig. Size DIN A 4		D-SUB SMT Low Profile Female 9p with die casted grounds and M3 nuts		Maßstab/ Scale 1,5:1
							Detail.		13Jul2007						
							Insp.								
							Stand.								
09551563615.741	1	M3	Black Insulator	Reel Packaging (160 connectors) see page 2/2	EC01215	14Jan2010	ED	HARTING EURL F-95972 Paris				 TB 09 55 156 x615		Blatt/ Page 1 / 2	
09551566615.741	2				34884	18Feb2008	LP								
09551567615.741	3				34377	13Jul2007	ED								
Part number	PL	Thread	Index designation	Mod.	Dat.	Name									



See TB 09 55 156 x615 folio 1/2
for connector dimensions
and PCB layout

Packaging in accordance with
EIA 481-2-A

09551563615.741	1	M3	Black Insulator	Reel Packaging (160 connectors)
09551566615.741	2			
09551567615.741	3			
Part number	PL	Thread	Index designation	

				Dot.	Name
				Detail.	13Jul2007
				Insp.	
				Stand.	
EC01215	14Jan2010	ED			
EC01118	26Nov2009	LP			
34407	31Aug2007	ED			
34377	13Jul2007	ED			
Mod.	Dot.	Name			

HARTING EURL
F-95972 Paris

All Dim. in mm
Orig. Size DIN A 4

D-SUB SMT
Low Profile Female 9p
with die casted grounds
and M3 nuts

TB 09 55 156 x615

Sub.