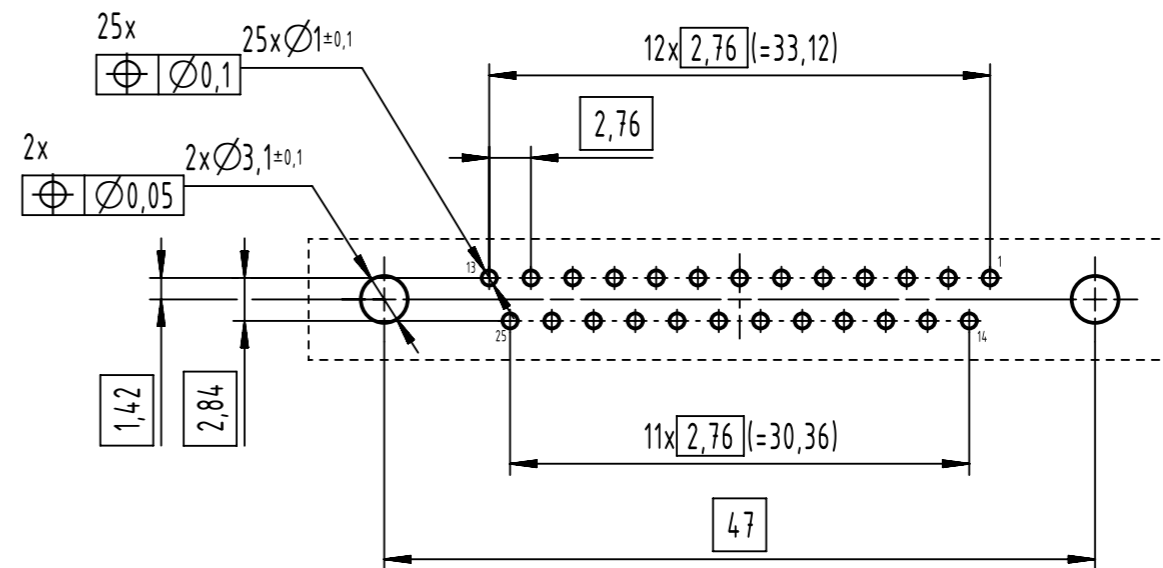
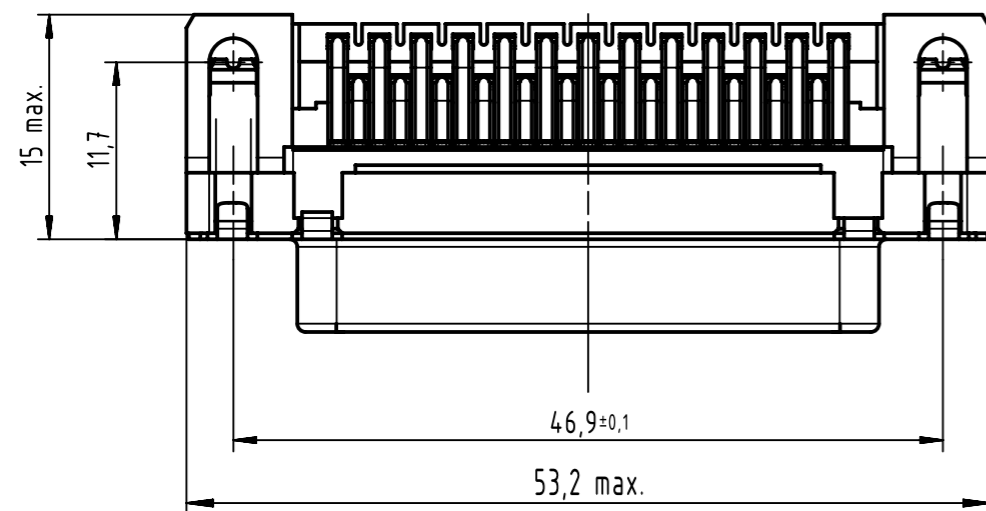


PCB layout hole component side  
Recommended thickness 1,6



|               |            |                   |
|---------------|------------|-------------------|
| 0965 353 3811 | M3         | PL1               |
| 0965 353 6811 | M3         | PL2               |
| 0965 353 7811 | M3         | PL3               |
| 0965 353 3812 | 4-40 UNC   | PL1               |
| 0965 353 6812 | 4-40 UNC   | PL2               |
| 0965 353 7812 | 4-40 UNC   | PL3               |
| Part number   | Nut thread | Performance level |

|                              |   |  |                       |                           |                    |  |
|------------------------------|---|--|-----------------------|---------------------------|--------------------|--|
|                              | All rights reserved<br>Department EL PD | All Dimensions in mm<br>Original Size DIN A3           |                       | Scale<br>2:1              | Free size tol.     | Ref.<br>Sub.   |
|                              |   | Created by<br>ZHUANGJ                                  | Inspected by<br>LUOK  | Standardisation<br>ROEBEN | Date<br>2023-06-08 | State<br>Final Release                                   |
| HARTING<br>D-32339 Espelkamp |   | Title<br>D-Sub 25-pole female standard angled assembly |                       |                           |                    | Doc-Key / ECM-Nr.<br>101072958/UGD/000/A<br>500000246867 |
|                              |   | Type<br>TB   | Number<br>0966353X61X |                           | Rev.<br>A          | Page<br>1/1  |