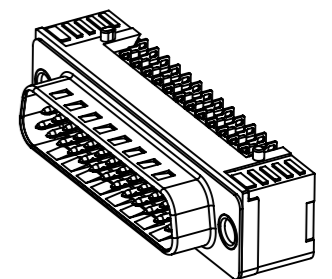
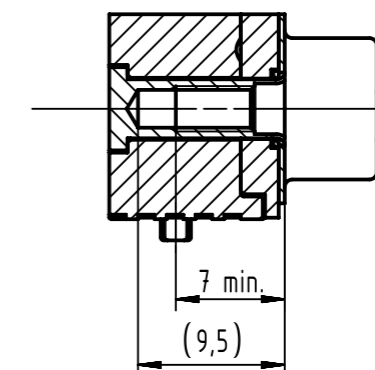
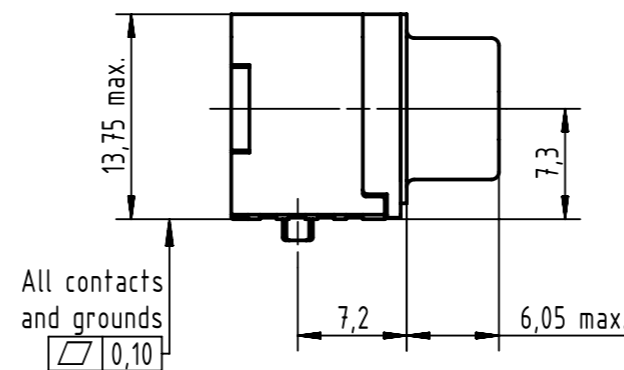
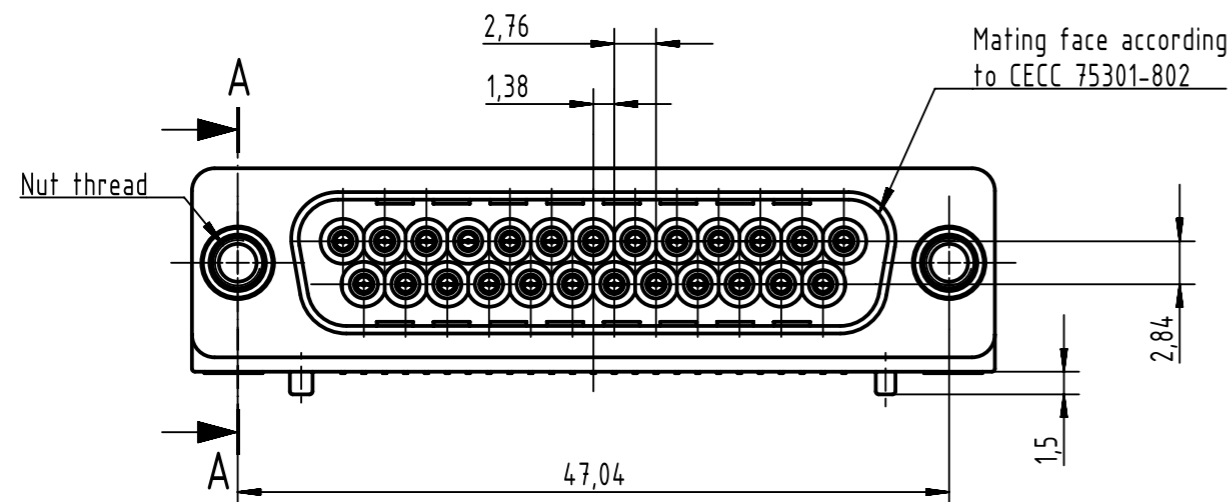
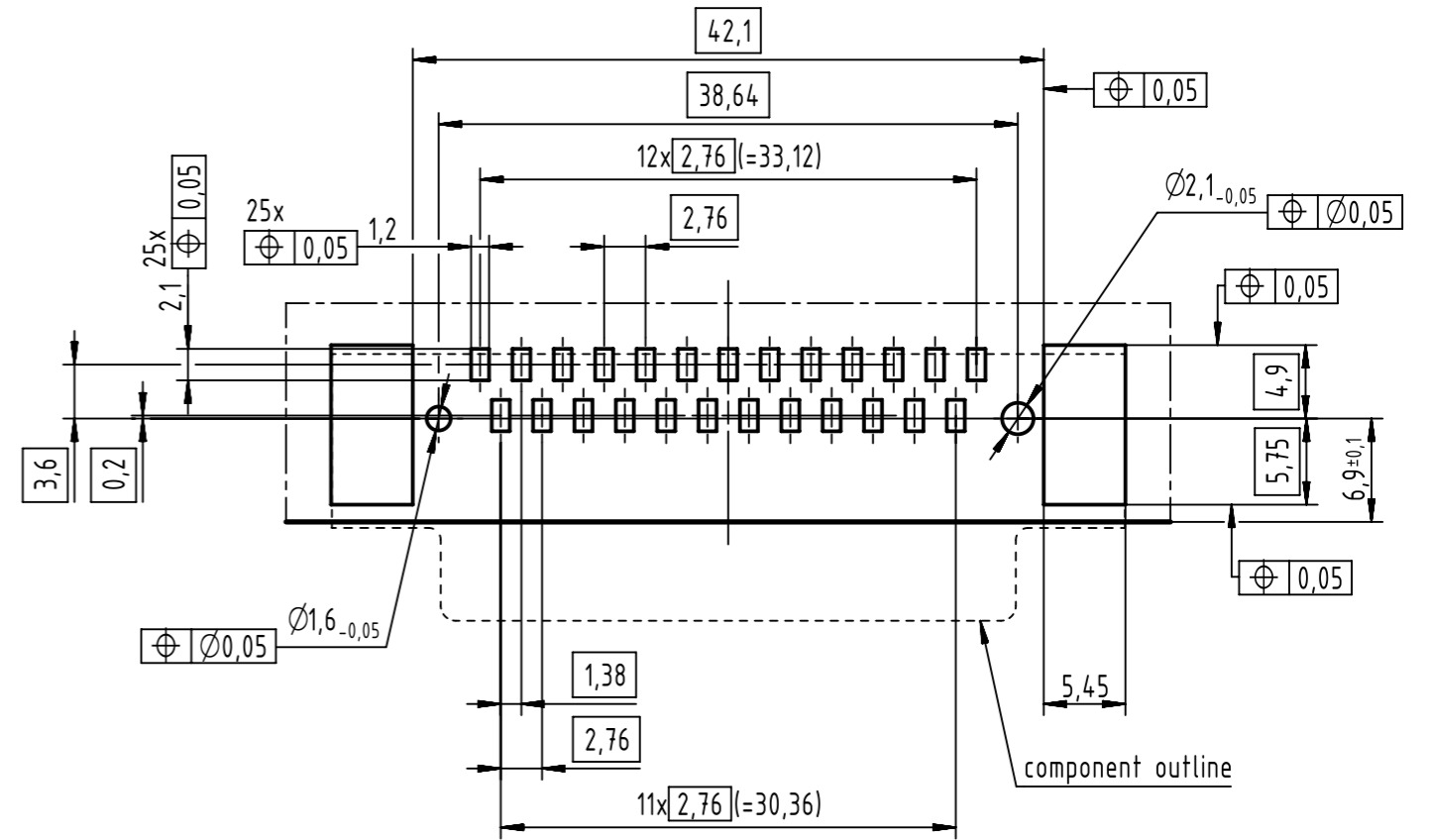


PCB layout, component side (thickness 1,6 min)



0955 366 6812 333	2	4-40 UNC	Black insulator	Samples
0955 366 3812 741	1	4-40 UNC	Black insulator	Reel Packaging (140 connectors)
0955 366 6812 741	2			
0955 366 7812 741	3			
0955 366 3811 741	1	M3	Black insulator	Reel Packaging (140 connectors)
0955 366 6811 741	2			
0955 366 7811 741	3			
Part number	PL	Thread	Index designation	

Max. Temperature: 260°C during 10 seconds
Find further technical information on DS 09550200301

	All rights reserved	Created by ZHUANGJ	Inspected by LUOK	Standardisation HOFFMANN	Date 2018-11-16	State Final Release
	Department EL PD	Title D-Sub angled STD 25-pole male with screw nut		Doc-Key / ECM-Nr. 10068443/UGD/000/B 50000014.1375		
HARTING Electronics GmbH D-32339 Espelkamp	Type TB	Number 0955366X81X		Rev. B	Page 1/1	