

## Wall mounting socket outlet, fused - housing dimensions 225x118, with fuse base D 0



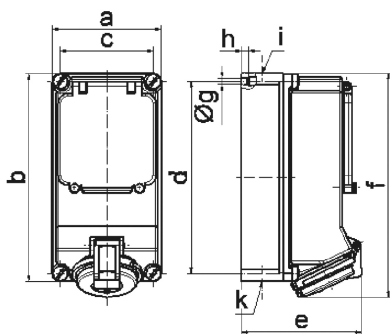
Product description	
BALS-Prd.-Nr	1587
EAN	4024941015875
Product category	Quick-Connect TE wall mounting socket outlet, fused
Current	16A
Number of poles	5p
Poles	3p+N+PE
Position of earth contact	6 h
Voltage	200/346 up to 240/415V

Product description	
Frequency	50 and 60Hz
Protection degree	IP44
Colour code	red RAL 3000
Colour of appliance	Operating window smoky topaz, Hinged lid red RAL 3000, Housing screws grey RAL 7035, Housing bottom grey RAL 7035, Housing top grey RAL 7035
Connection design	screwless spring-clamp Kontex
Maximum conductor size	4,0 qmm
Cable entry	top entry M25/M25 bottom entry M25
Height	243mm
Width	118mm
Depth	130mm
Dimension of enclosure	225x118 mm (HxW)
Material of enclosure	Polycarbonate
Contact	The contact carrier is made of high temperature resistant material, the contacts are brass nickel plated

Additional technical properties	
	The cable entry is one at top open, one at top is closed, and two at bottom are closed
	With fuse base 3 pole D01

Logistics data	
Weight/pcs	1.062 kg / Piece

Logistics data	
Packaging	Carton
Content amount	1 ST
EAN	4024941015875
Length	275 mm
Width	175 mm
Height	137 mm
Weight	1.187 kg
Volume	5,737.5 ccm



Ampere	16	16	32	32	32
Polzahl	4	5	3	4	5
a	118,0	118,0	118,0	118,0	118,0
b	225,0	225,0	225,0	225,0	225,0
c	101,0	101,0	101,0	101,0	101,0
d	208,0	208,0	208,0	208,0	208,0
e	123,0	130,0	134,0	134,0	141,0
f	242,0	242,0	250,0	250,0	250,0
g	6,5	6,5	6,5	6,5	6,5
h ø	8,0	8,0	8,0	8,0	8,0
i	2 x M25	2 x M25	2 x M25	2 x M25	2 x M25
k	2 x M25	2 x M25	2 x M25	2 x M25	2 x M25

14 MB 13