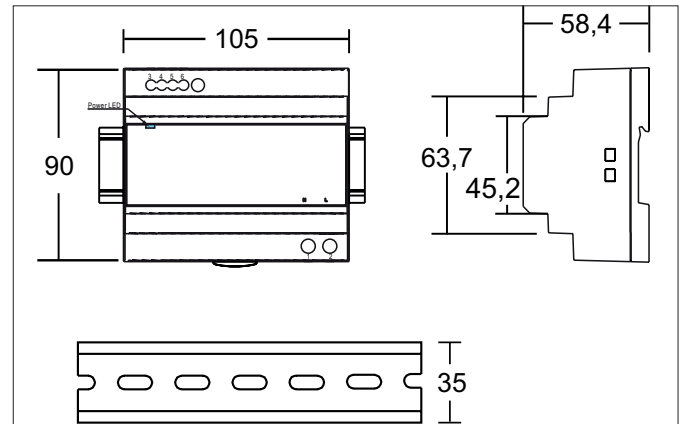


REG LED-Netzgerät 24 V DC, schaltbar

Article no. 17260000

Light.
For Generations.

24V

Tender

REG LED-Netzgerät 24 V DC, schaltbar. Dieses Netzgerät ist durch Sicherungseinrichtungen gegen Überspannung und Kurzschluss sowie thermische und elektrische Überlastung geschützt. Material: Plastic, Degree of protection: according to DIN EN 60529 IP20, Protection class: (EN 61140) II, Voltage: 24V DC, Power: 150 W, Control: on/off.

Article data	
Article no.	17260000
GTIN	4255752509509
Short description	REG LED-Netzgerät 24 V DC, schaltbar
Material	Plastic
Length	105 mm
Width	90 mm
Hight	59 mm
Weight	0.320 kg

REG LED-Netzgerät 24 V DC, schaltbar

Article no. 17260000

Light.
For Generations.

Operating technology of driver	
AC nominal voltage min	85 V
AC nominal voltage max	264 V
Frequency min	47 Hz
Frequency max	63 Hz
DC nominal voltage min	120 V
DC nominal voltage max	370 V
Output current	6,25 A mA
Protection class	II
Degree of protection	IP20
Starting current	70 A
Power min	1 W
Power	150 W
Control	on/off
Environment temperature (ta)	0 °C bis +40 °C

Packing data	
Gross weight	0.355 kg
Length of packaging	118 mm
Packaging width	98 mm
Packaging height	65 mm
Disposal at end of life	This product must not be disposed of with household waste. You are obliged, to dispose of such electrical waste separately. By disposing of electrical waste and other old or defective electronics separately, you support recycling or other forms of re-use. In that way you help to take care and to avoid that harmful substances get into the environment.