

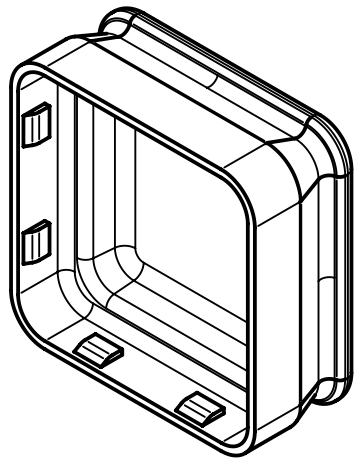
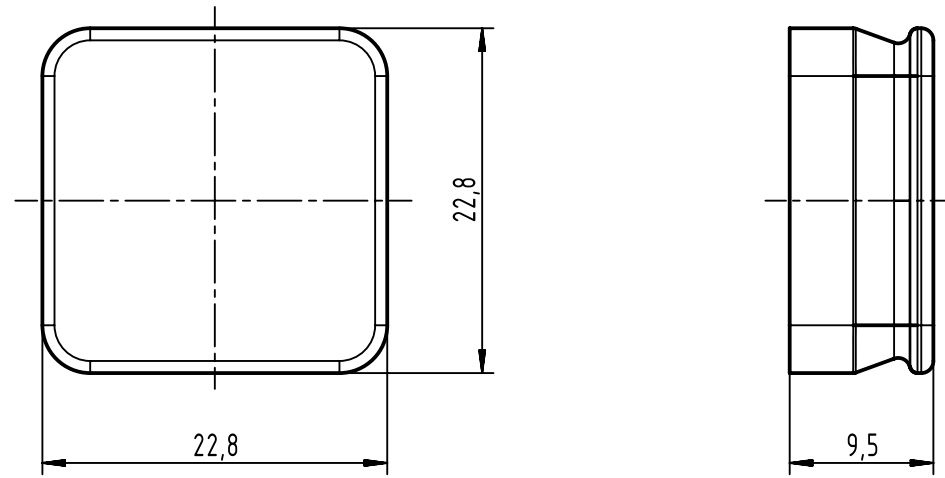
1 2 3 4 5 6

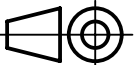

A

B

C

D



 All Dimensions in mm Original Size DIN A4	Scale	Free size tol.			Ref.
	2:1				Sub. TB 09 35 002 5401 / 35946 / 10.12.2009
 All rights reserved Department EC PD - DE	Created by	Inspected by	Standardisation	Date	State
	HAGEMEYERE	ELLERMANN	SCHREIER	2015-10-12	Final Release
HARTING Electronics GmbH D-32339 Espelkamp	Title				Doc-Key / ECM-Nr.
	Han PP V14 dust cap device side IP40				100110277/UGD/003/B 500000094365
Type		Number		Rev.	Page
TB		09350025401		B	1/1