

Han-Eco Mod.16 Outd.-HSM2-M40-glanded

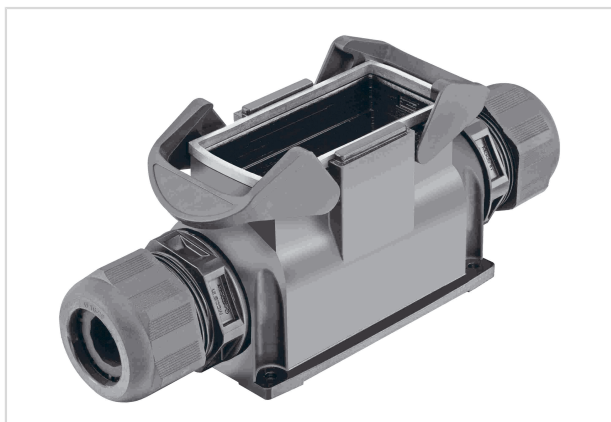


Image is for illustration purposes only. Please refer to product description.

Part number	19 41 316 0273
Specification	Han-Eco Mod.16 Outd.-HSM2-M40-glanded
HARTING eCatalogue	https://b2b.harting.com/19413160273

Identification

Category	Hoods/Housings
Series of hoods/housings	Han-Eco® Modular
Type of hood/housing	Surface mounted housing
Description of hood/housing	With integrated cable gland

Version

Size	16 B
Module slots	5
Version	Side entry
Cable entry	2x M40
Locking type	Double locking lever

Technical characteristics

Limiting temperature	-40 ... +125 °C
Number of relockings	≥500
Degree of protection acc. to IEC 60529	IP65
Clamping range	16 ... 28 mm

Material properties

Material (hood/housing)	Polyamide (PA) Fibre-glass reinforced
Colour (hood/housing)	RAL 9005 (jet black)
Material (seal)	FPM



Pushing Performance
Since 1945

Material properties

Colour (seal)	RAL 7001 (silver-grey)
Material (locking)	Polyamide (PA) Fibre-glass reinforced
Colour (locking)	RAL 9005 (jet black)
Material flammability class acc. to UL 94	V-0
Material flammability class acc. to UL 94 (locking levers)	V-0
RoHS	compliant
ELV status	compliant
China RoHS	e
REACH Annex XVII substances	Not contained
REACH ANNEX XIV substances	Not contained
REACH SVHC substances	Not contained
Fire protection on railway vehicles	EN 45545-2 (2020-08)
Requirement set with Hazard Levels	R22 (HL 1-3) R23 (HL 1-3)

Specifications and approvals

Specifications	IEC 61984 EN 45545-2 Fire protection on railway vehicles
UL / CSA	UL 1977 ECBT2.E235076 CSA-C22.2 No. 182.3 ECBT8.E235076
CE	Yes

Commercial data

Packaging size	1
Net weight	364 g
Country of origin	Germany
European customs tariff number	85389099
GTIN	5713140131859
eCl@ss	27440202 Shell for industrial connectors