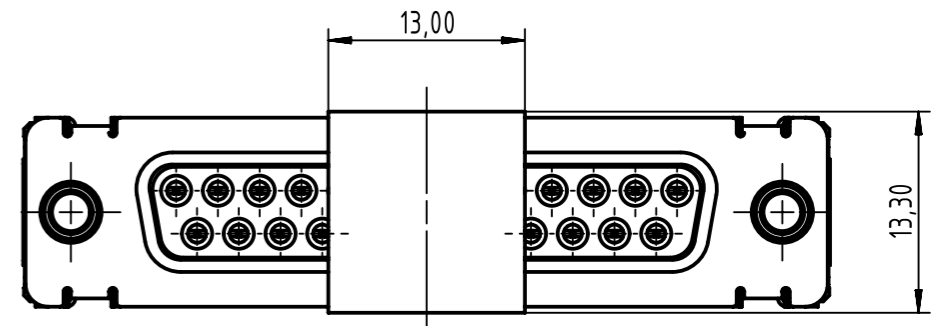
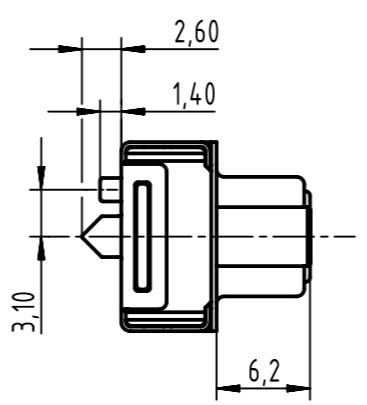
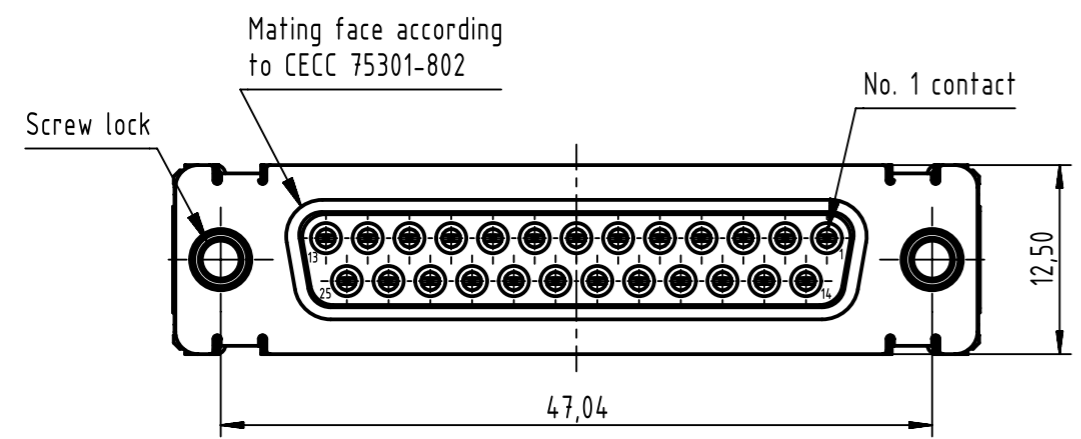
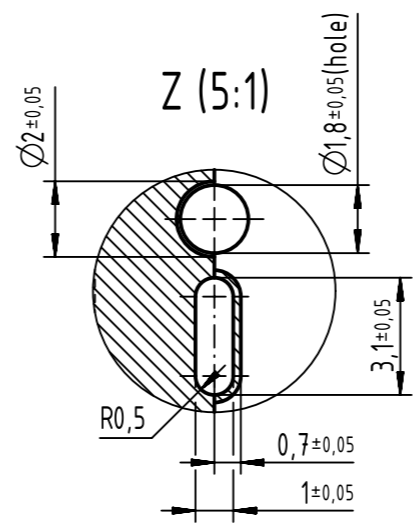
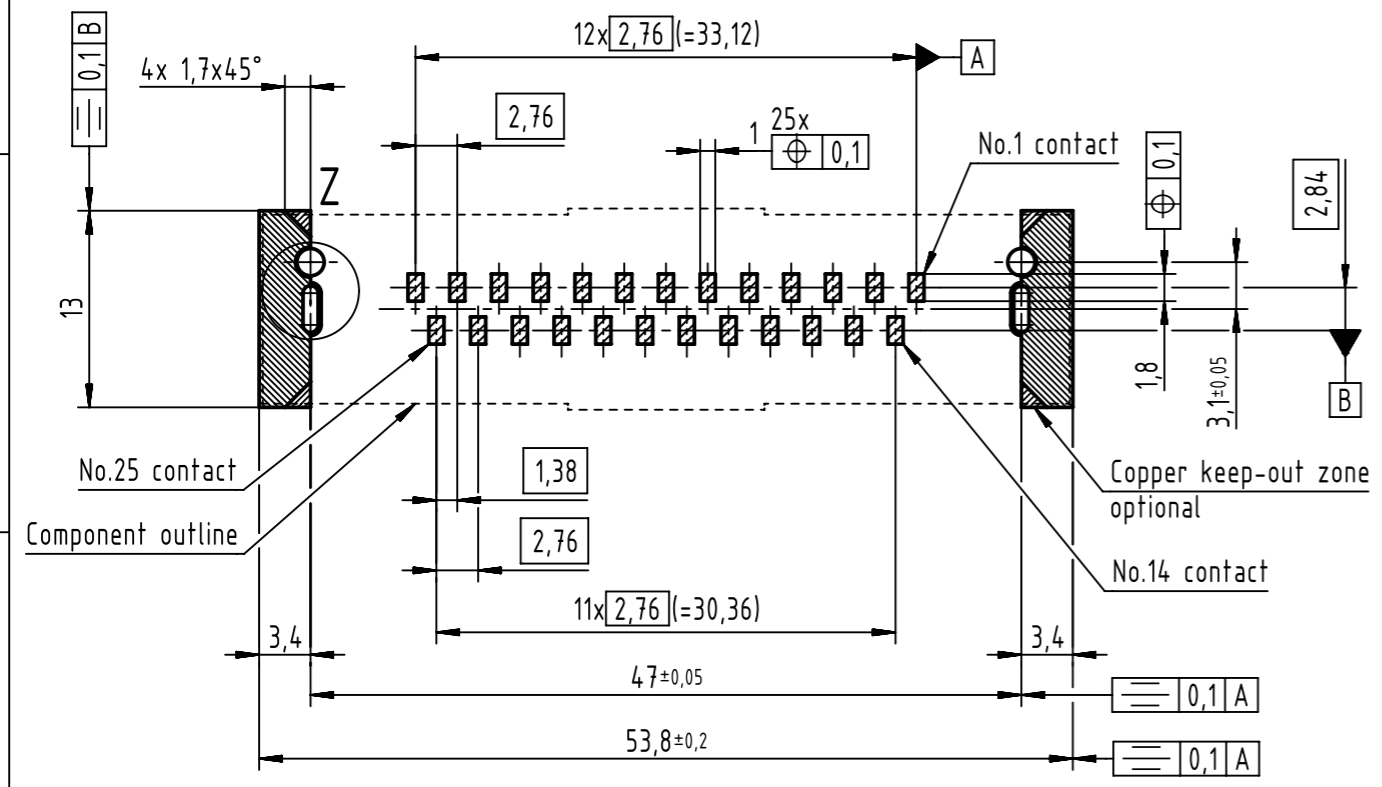


0,10CZ

(All contacts and grounds)



PCB layout, component side



Max. Temperature: 260°C during 10 seconds.
Find further technical information on DS 09550200302.

0955 355 3621 741	1	M3	Black insulator	Reel Packaging (140 connectors)
0955 355 3622 741	1	4-40 UNC		
0955 355 6621 741	2	M3		
0955 355 6622 741	2	4-40 UNC		
0955 355 7621 741	3	M3		
0955 355 7622 741	3	4-40 UNC		
Part number	PL	Screw lock	Index designation	

 HARTING Electronics GmbH D-32339 Espelkamp	All rights reserved Department EL PD	Scale 1:1 Free size tol.	Created by ZHUANGJ	Inspected by LUOK	Standardisation HOFFMANN	Date 2018-11-29	State Final Release	Ref. Sub.
	Title D-Sub str SMT 25-pole fem with ground pin & screw-lock		Type TB		Number 0955355X62X		Doc-Key / ECM-Nr. 100236638/UGD/001/B 500000139800	Rev. B