

Wall mounting socket outlet - with external fixing



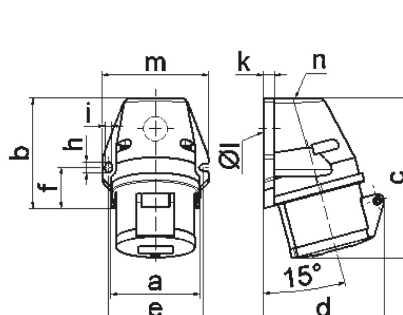
Product description	
BALS-Prd.-Nr	11739
EAN	4024941117395
product category (PG)	Wall mounting socket outlet
current (A)	32A
number of poles (P99)	5p
number of poles (P)	3p+N+PE
position of earth contact (H)	7 h
voltage (V)	277/480 up to 288/500V
frequency (HZ)	50 and 60Hz

Product description	
protection degree (SA)	IP44
colour code 1 (KF1)	black RAL 9005
Colour of appliance	Collar black RAL 9005, Hinged lid black RAL 9005, Housing bottom grey RAL 7035, Housing top grey RAL 7035
connection design (AT)	with screw terminal
maximum conductor size (LQ)	10,0 qmm
cable entry (KE)	top entry M25
Height	144mm
Width	94mm
Depth	111mm
dimension of enclosure (GG)	92x94 mm (HxW)
material of enclosure (GM)	Polyamide
contact	The contact carrier is made of polyamide, The contacts are brass

Additional technical properties	
	The cable entry is one at top open and one at bottom closed

Logistics data	
Weight/pcs	0.309 kg / Piece
Packaging	Bag
Content amount	1 ST

Logistics data	
EAN	4024941117395
Length	111 mm
Width	94 mm
Height	144 mm
Weight	0.31 kg
Volume	1,502.496 ccm
Packaging	Carton
Content amount	10 ST
EAN	4024941840729
Length	325 mm
Width	217 mm
Height	210 mm
Weight	3.296 kg
Volume	13,588.4 ccm



Ampere Polzahl	16 3	16 4	16 5	32 3	32 4	32 5
a	59,5	72,4	72,4	79,1	79,1	79,1
b	90,0	90,0	90,0	92,0	92,0	92,0
c	130,0	130,0	131,0	142,0	142,0	142,0
d	85,0	96,0	98,0	103,0	103,0	106,0
e	62,0	77,0	77,0	84,0	84,0	84,0
f	33,5	33,5	33,5	30,0	30,0	30,0
h	9,0	9,0	9,0	9,0	9,0	9,0
i	5,5	5,5	5,5	5,5	5,5	5,5
k	8,0	9,0	9,0	9,0	9,0	9,0
l Ø	21,0	21,0	21,0	21,0	21,0	21,0
m	72,0	87,0	87,0	94,0	94,0	94,0
n	M20	M25	M25	M25	M25	M25
Leiter mm ² min	1,5	1,5	1,5	2,5	2,5	2,5
Leiter mm ² max	4	4	4	10	10	10

1 MB 19