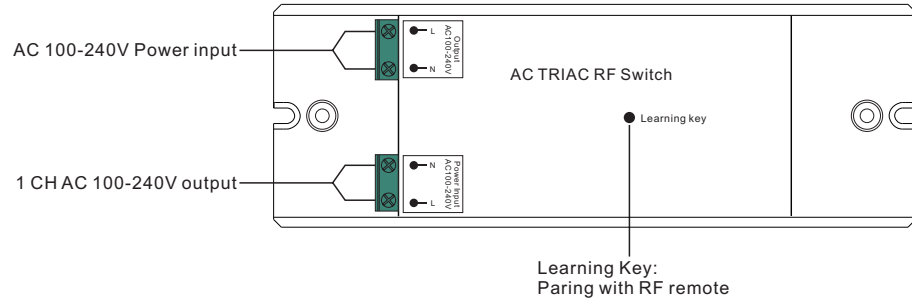


Important: Read All Instructions Prior to Installation

Function introduction



Product Data

Input Voltage	Output Voltage	Output Current	Output Power	Size(LxWxH)
100-240VAC	1x(100-240)VAC	1x1.2A	1x(120-288)W	170x59x29mm

- Safe and reliable full isolation design
- Great compatibility with a variety of remote controls
- To switch on/off single color LED lamps, traditional incandescent and halogen lights
- Radio Frequency : 868/915/434mhz
- Waterproof grade: IP20

Safety & Warnings

- DO NOT install with power applied to device.
- DO NOT expose the device to moisture.

Operation

1. Pair RF Receiver with RF remote:

- 1.1. Connect and wire up the RF receiver correctly, power on.
- 1.2. Turn on the remote, click the **“Learning Key”** button on receiver, immediately click zone number then touch color wheel on remote, the connected led light on receiver flickers twice, means well paired.

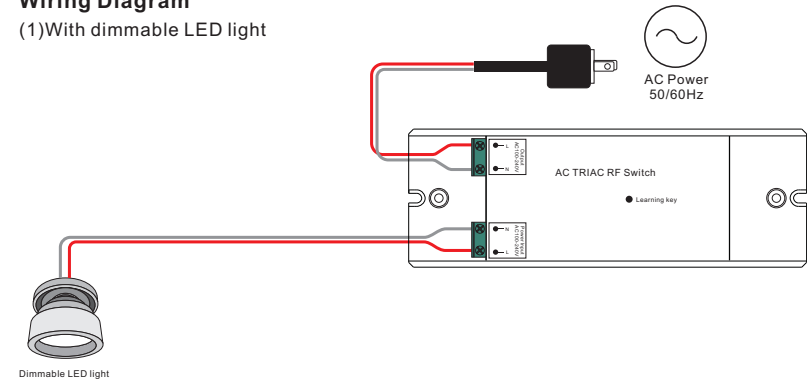
Note: one receiver can be paired with max 8 remote controls.

2. Delete the pairing:

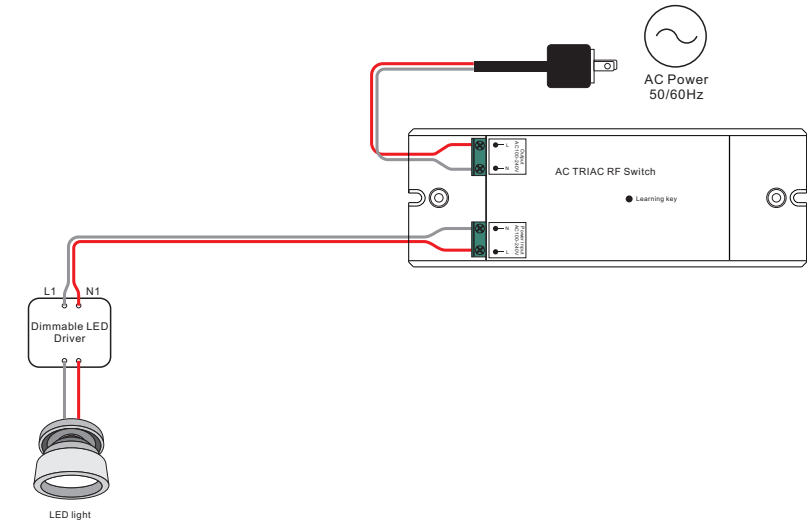
- 2.1. Wire up the RF receiver correctly, power on
- 2.2. Hold the **“ Learning Key ”** button on receiver over 3 seconds until the connected led light on receiver flickers twice, means well deleted.

Wiring Diagram

(1)With dimmable LED light

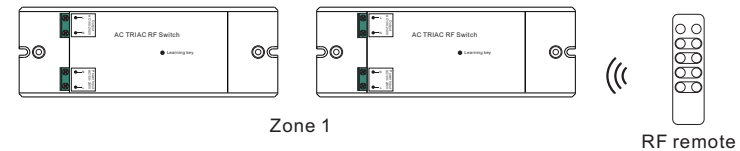


(2)With dimmable LED driver



If you use multiple receivers, you have two choices:

Option 1: have all the receivers in the same zone, like zone 1



Option 2: have each receiver in a different zone, like zone 1, 2, 3 or 4

