

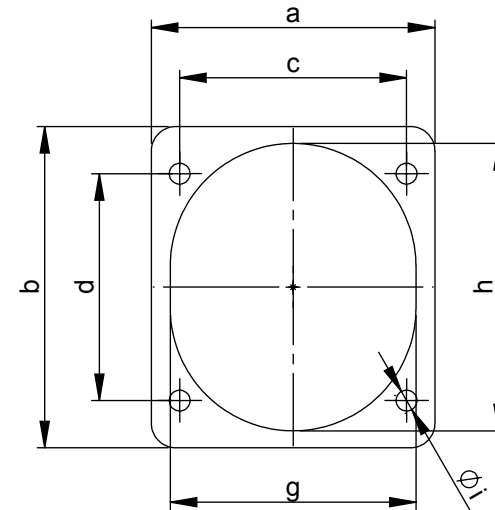
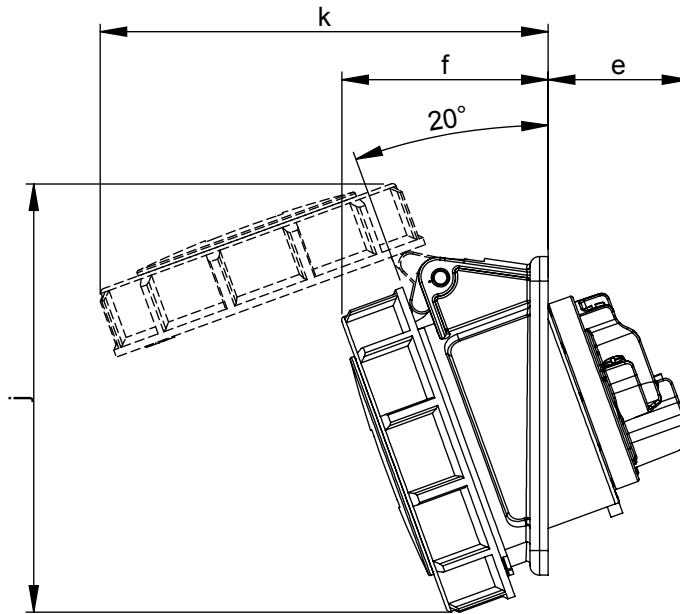
## Maßskizze / dimensional drawing

Benennung: Anbausteckdose schräg IP67 75x85

description: Flanged socket sloping IP67 75x85

Teilenummer / part number: 4132-\*f87, 4142-\*f87, 4152-\*f87

PCE



Ampere	16		
Pole	3	4	5
a [mm]	75	75	75
b [mm]	85	85	85
c x d [mm]	60	60	60
e [mm]	38	38	39
f [mm]	49	50	54
g [mm]	51	56	65
h [mm]	61	67	76
i [mm]	5,5	5,5	5,5
j [mm]	97	104	114
k [mm]	102	111	119