

5

4

3

2

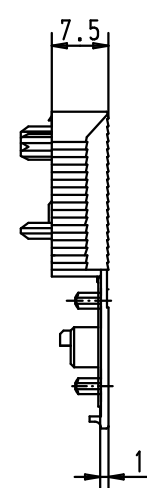
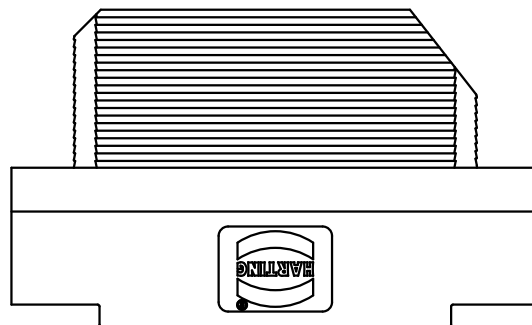
1

D

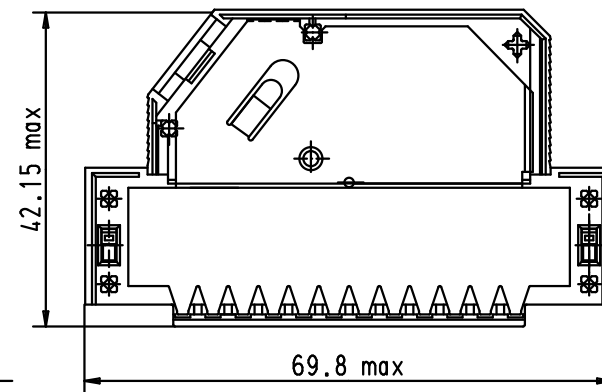
C

B

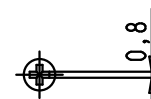
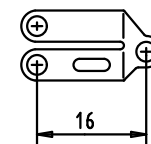
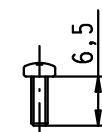
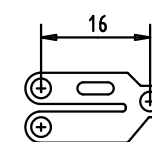
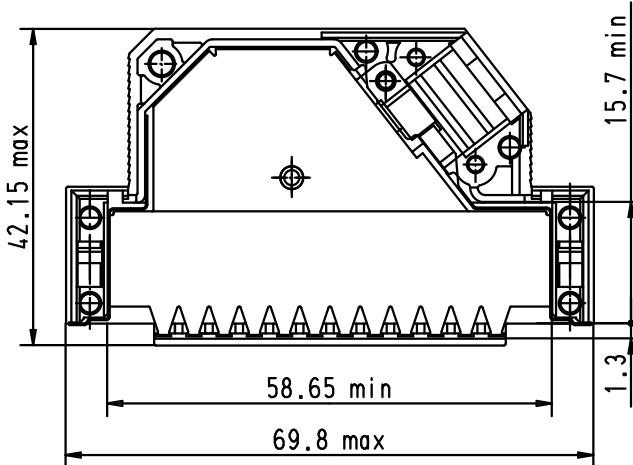
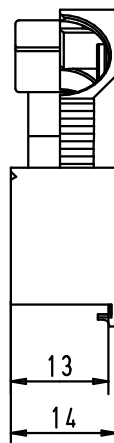
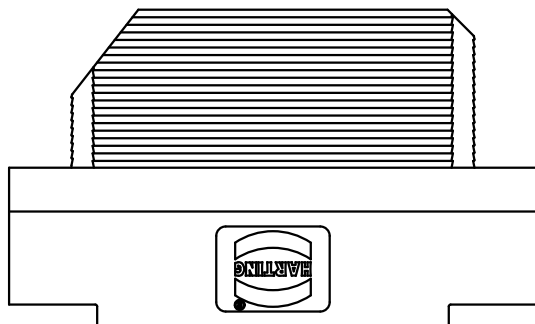
A



Hood upper part




Hood lower part



Strain relief 1

Strain relief 2

Flathead screw

				Det.		Name				
				Detail.	27/02/03	S.H.				
				Insp.						
				Stand.						
EC01696	20/04/10	SC	HARTING EURL F-95972 Paris					D-Sub Hoods		Maßstab/ Scale
31392	27/02/03	S.H.						TB 09 67 037 0573		1:1
Mod.	Det.	Name					Sub.		Blatt/ Page 1 / 1	