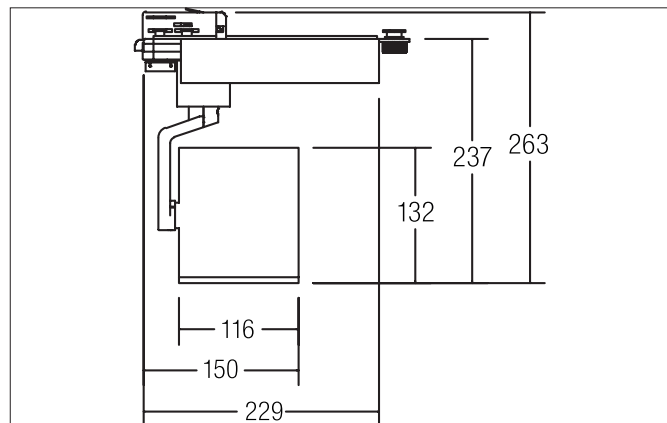


**CORE LED track spotlight**

Article no. 88377173

Light.  
For Generations.**Tender**

LED track spotlight, Round. Luminaire diameter 116.0 mm, Hight 237.0 mm Weight 1.43 kg, with rotattionssymmetrical, deep, wide distributed light intensity. Luminous flux 3.480 lm, Power 1 x 45 W, System Efficiency 77 lm/W, Light colour warm white, Correlated color temperature (CCT) 3.000 K, Colour rendering index CRI > 80, Housing material: Aluminium, Colour: White, Permissible ambient temperature (ta): -20 °C - +25 °C, Protection class (EN 61140): I, Degree of protection (DIN EN 60529): IP20. With electronic driver, on/off switchable.

Article data	
Article no.	88377173
GTIN	4251433900078
Series name	CORE
Short description	LED track spotlight
Material	Aluminium
Colour	White
Type of surface	Glossy
Shape	Round
Outer diameter	116 mm
Length	268 mm
Width	116 mm
Hight	237 mm
Weight	1.430 kg

**CORE LED track spotlight**

Article no. 88377173

Light.  
For Generations.

Lighting technology	
Colour temperature	3.000 K
Light colour	White
Luminous flux	3,480 lm
System efficiency	77 lm/W
Colour rendering	CRI > 80
Reflector	High-gloss
Beam angle	38°
Light sharing	Symmetric

Operating technology of the luminaire	
System output	45 W
Voltage type	AC
AC nominal voltage max	230 V
Frequenz max.	50 Hz
Lamp	LED
Protection class	I
Degree of protection	IP20
Control	on/off
Bulb change possible	The light source of this luminaire may only be replaced by the manufacturer or a service technician commissioned by him or a similarly qualified person.

Mounting technology	
Mounting method	Surface mounting
Place of installation	Ceiling-mounted
Adjustability	Rotatable and adjustable head
Swivel angle	180°
Rotation angle	355°
Head adjustable angle	180°
Suitable for through-wiring	No

Packing data	
Gross weight	1.786 kg
Length of packaging	280 mm
Packaging width	280 mm
Packaging height	140 mm
Disposal at end of life	This product must not be disposed of with household waste. You are obliged, to dispose of such electrical waste separately. By disposing of electrical waste and other old or defective electronics separately, you support recycling or other forms of re-use. In that way you help to take care and to avoid that harmful substances get into the environment.