

Panel mounting appliance inlet - without hinged cover

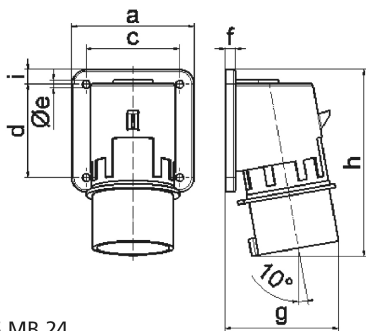


| Product description | |
|---------------------------|----------------------------------|
| BALS-Prd.-Nr | 2612 |
| EAN | 4024941026123 |
| Product category | Surface mounting appliance inlet |
| Current | 16A |
| Number of poles | 5p |
| Arrangement of phases | 3p+N+PE |
| Position of earth contact | 6 h |
| Voltage | 200/346 - 240/415V~ |
| Frequency | 50/60Hz |

| Product description | |
|--------------------------------|------------------------------------------------------------------|
| Protection degree | IP44 |
| Colour code | red RAL 3000 |
| Colour of appliance | Collar red RAL 3000, Enclosure grey RAL 7035 |
| Connection design | with screw terminal |
| Maximum conductor size | 2,5 qmm |
| Cable entry | other |
| Height | 129mm |
| Width | 84mm |
| Depth | 78mm |
| Flange size vertical in mm | 84mm |
| Flange size horizontal in mm | 84mm |
| Drill hole dist. vertical mm | 64mm |
| Drill hole dist. horizontal mm | 64mm |
| Material of enclosure | Polyamide |
| Contacts | The contact carrier is made of polyamide, The contacts are brass |

| Logistics data | |
|----------------|------------------|
| Weight/pcs | 0.179 kg / Piece |
| Packaging | Bag |
| Content amount | 1 ST |
| EAN | 4024941026123 |

| Logistics data | |
|----------------|---------------|
| Length | 78 mm |
| Width | 84 mm |
| Height | 129 mm |
| Weight | 0.18 kg |
| Volume | 845.208 ccm |
| Packaging | Carton |
| Content amount | 10 ST |
| EAN | 4024941966191 |
| Length | 258 mm |
| Width | 183 mm |
| Height | 212 mm |
| Weight | 1.942 kg |
| Volume | 8,750 ccm |



5 MB 24

| Ampere | 16 | 16 | 16 | 32 | 32 | 32 |
|----------------------------|-------|-------|-------|-------|-------|-------|
| Polzahl | 3 | 4 | 5 | 3 | 4 | 5 |
| a | 74,0 | 75,0 | 84,0 | 90,0 | 90,0 | 90,0 |
| b | 84,0 | 100,0 | 84,0 | 75,0 | 75,0 | 75,0 |
| c | 58,0 | 62,0 | 64,0 | 78,0 | 78,0 | 78,0 |
| d | 64,0 | 74,0 | 64,0 | 45,0 | 45,0 | 45,0 |
| e ø | 5,5 | 4,3 | 5,5 | 5,5 | 5,5 | 5,5 |
| f | 12,0 | 12,0 | 7,0 | 7,0 | 7,0 | 7,0 |
| g | 70,0 | 77,0 | 78,0 | 86,0 | 86,0 | 88,0 |
| h | 128,0 | 145,0 | 129,0 | 138,0 | 138,0 | 140,0 |
| i | - | - | - | 13,0 | 13,0 | 13,0 |
| Leiter mm ² min | 1 | 1 | 1 | 2,5 | 2,5 | 2,5 |
| Leiter mm ² max | 2,5 | 2,5 | 2,5 | 6 | 6 | 6 |